

BEAUREGARD PUBLIC LIBRARY WYE BRANCH

PROJECT #: 21025BA
HIGHWAY 26
DERIDDER, LOUISIANA 70637



Brossett
Architect



Brossett Architect, LLC • 414 Pujo St., Lake Charles, LA 70601

BEAUREGARD PUBLIC LIBRARY

WYE BRANCH

HWY 26
DERIDDER, LOUISIANA 70637

TITLE SHEET

SHEET NO.
T0.1

ARCH #21025 BA

VER.	DATE	DESCRIPTION
0	07/05/2022	I.F.C. DOCUMENTS

© COPYRIGHT 2022,
Brossett Architect, LLC
All Rights Reserved.
This document shall not be
copied or reproduced
without written permission.

JULY 5, 2022

PROJECT TEAM

OWNER

BEAUREGARD PARISH PUBLIC LIBRARY
205 SOUTH WASHINGTON STREET
DERIDDER, LOUISIANA 70634
337.463.6217 PH

ARCHITECT

BROSSETT ARCHITECT, LLC
414 PUJO STREET
LAKE CHARLES, LA 70601
337.439.8400 PH

MECHANICAL CONSULTANT

M & E CONSULTING INC
1304 BERTRAND DR #F7
LAFAYETTE, LOUISIANA 70506
337.234.7474 PH

ELECTRICAL CONSULTANT

M & E CONSULTING INC
1304 BERTRAND DR #F7
LAFAYETTE, LOUISIANA 70506
337.234.7474 PH

PROJECT DATA

General Project Description

A new library branch in Beaugard Parish, Louisiana.

Total Area

The following Areas exclude exterior walls:
Conditioned Space: 1,563 sqft
Porches: 135 sqft
Other Areas under Cover: N/A
Total Area Under Roof: 2,000 sqft

Site Paving/Impervious Area Data

Parking and Drives: 863 sqft
Sidewalks and other Paving: 144 sqft

Code Data

Construction Type
NFPA: Type V (000)
IBC: Type VB

Land Use Zoning Classification
(Refer to local regulations to find this)

Occupancy Classification
NFPA: Assembly
IBC: Assembly A-3

Fire Protection Systems
Fire Sprinkler System: Not Required
Fire Alarm System: Not Required

Applicable Codes

NFPA 101 Life Safety Code (LSC) 2015 Edition
International Building Code (IBC) 2015 Edition
International Existing Building Code (IEBC) 2015 Edition
Americans with Disabilities Accessibility Guidelines (ADAAG) 2010 Edition
International Plumbing Code (IPC) 2015 Edition
NFPA 70 National Electric Code (NEC) 2014 Edition
International Mechanical Code (IMC) 2015 Edition
International Fuel Code (IFC) 2015 Edition
ACSE 7-10

Wind Design Criteria

IBC 1604.5: Risk Category II
IBC 1609.4: Exposure Category B
IBC 1609/ACSE-10: Ultimate Design Wind Speed = 117MPH

Occupant Loads

Refer to code analysis on Sheet T0.2

Utilities

Electricity: New Master Meter served by local utility

Natural Gas: New (or tied to existing) Master Meter served by Center Point

Sewer: On site new sewer plant

Water: New Master Meter served by local system

Telephone: New Outside connection served by local system

Data/Internet: New Outside connection served by local system

DRAWING LIST

ARCHITECTURAL

T0.1	TITLE SHEET
T0.2	CODE COMPLIANCE
A1.1	SITE PLAN
A1.2	SITE DETAILS
A1.3	SITE DETAILS
A2.1	FLOOR PLAN
A2.2	ROOF PLAN
A2.3	DOOR AND WINDOW TYPES
A2.4	DOOR AND WINDOW DETAILS
A3.1	EXTERIOR ELEVATIONS
A3.2	BUILDING SECTIONS
A4.1	MILLWORK DETAILS
A5.1	ENLARGED PLANS AND ELEVATIONS
A6.1	REFLECTED CEILING PLAN
A6.2	SIGNAGE
S2.1	FOUNDATION PLAN

MECHANICAL

P0.0	PLUMBING LEGEND AND NOTES
P1.1	PLUMBING SITE PLAN

ELECTRICAL

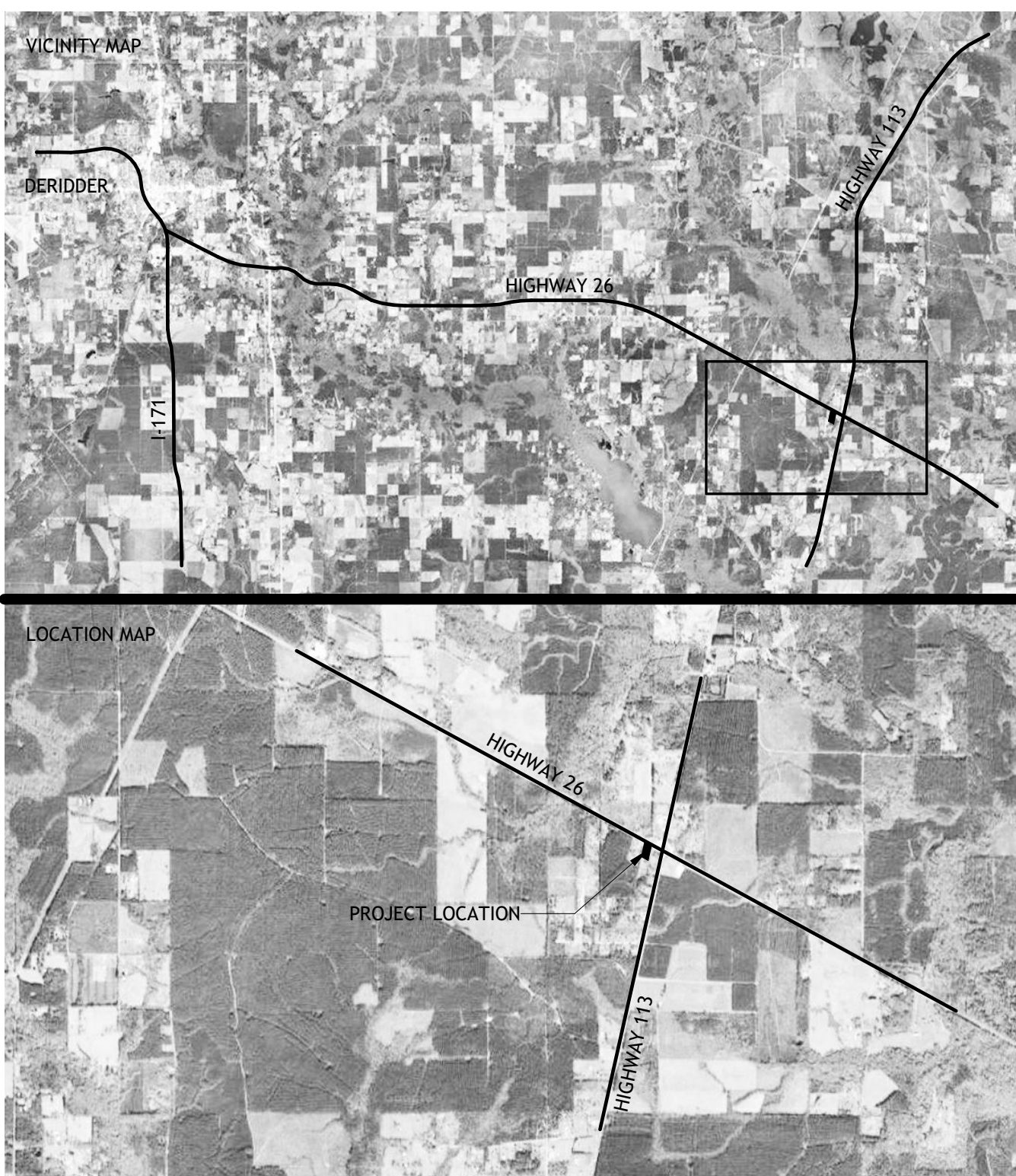
E0.0	ELECTRICAL LEGEND AND SPECIFICATIONS
E1.1	ELECTRICAL PLAN, SCHEDULES, DETAILS, AND RISER

GENERAL LEGEND

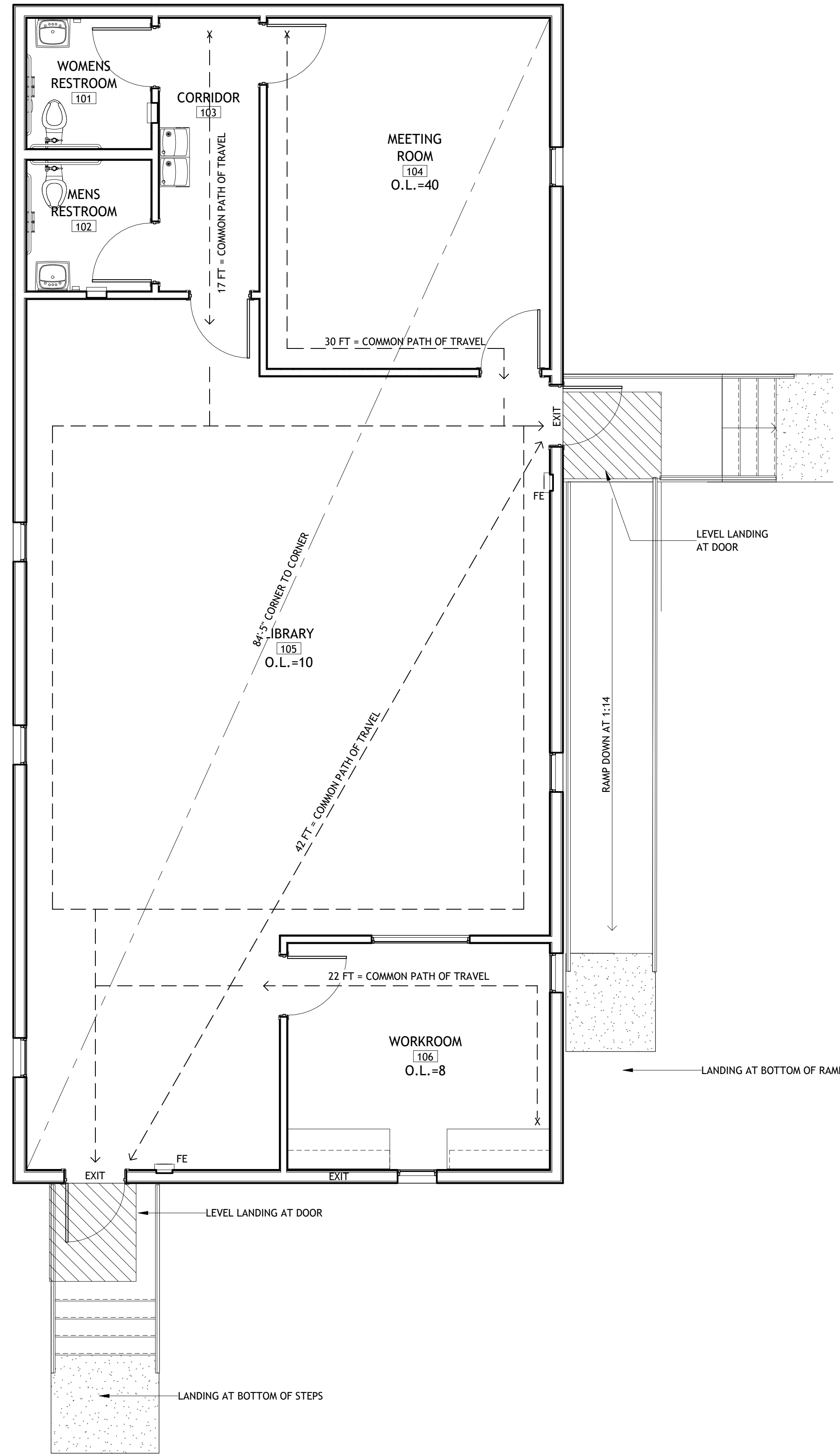
101	ROOM NUMBER
101	DOOR MARK
01	WINDOW MARK
01 AX.X	ELEVATION MARK
01 AX.X	SECTION MARK

ABBREVIATIONS

AFF	ABOVE FINISH FLOOR
AHU	AIR HANDLING UNIT
ASL	ABOVE SEA LEVEL
BDS	WOOD BOARDS
BLDG	BUILDING
CC/OC	CENTER TO CENTER / ON CENTER
CJ	CONTROL JOINT
CLG	CEILING
CONC	CONCRETE
CONT	CONTINUOUS
COORD	COORDINATE
CU	CONDENSING UNIT
EJ	EXPANSION JOINTS
EX	EXISTING
EFE	EXISTING FIRE EXTINGUISHER & CABINET
EW	ELECTRIC WATER COOLER
FE	NEW FIRE EXTINGUISHER & CABINET
FF	FINISH FLOOR
GA	GAUGE
GB	GRAB BAR (SIZE AS NOTED)
GYP BD	GYPSUM BOARD DRYWALL
HDG	HOT DIPPED GALVANIZED
HORIZ	HORIZONTAL
NIC	NOT IN CONTRACT
OL	OCCUPANCY LOAD
PB	PIPE BOLLARD
PV	PLUMBING VENT
RCP	REINFORCED CONCRETE PIPE
REV	REVERSE (IMAGE)
SIM	SIMILAR
TYP	TYPICAL
VOJ	VERIFY ON JOB
W/	WITH
WDW	WINDOW
WWR	WELDED WIRE REINFORCING



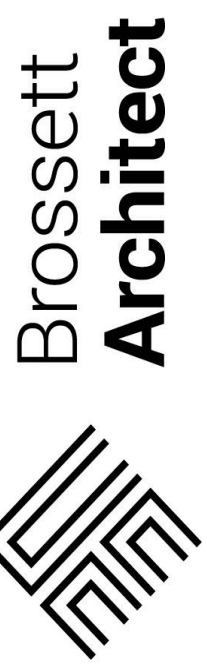
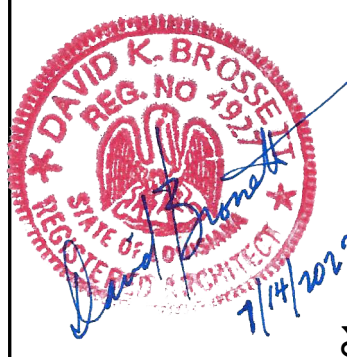
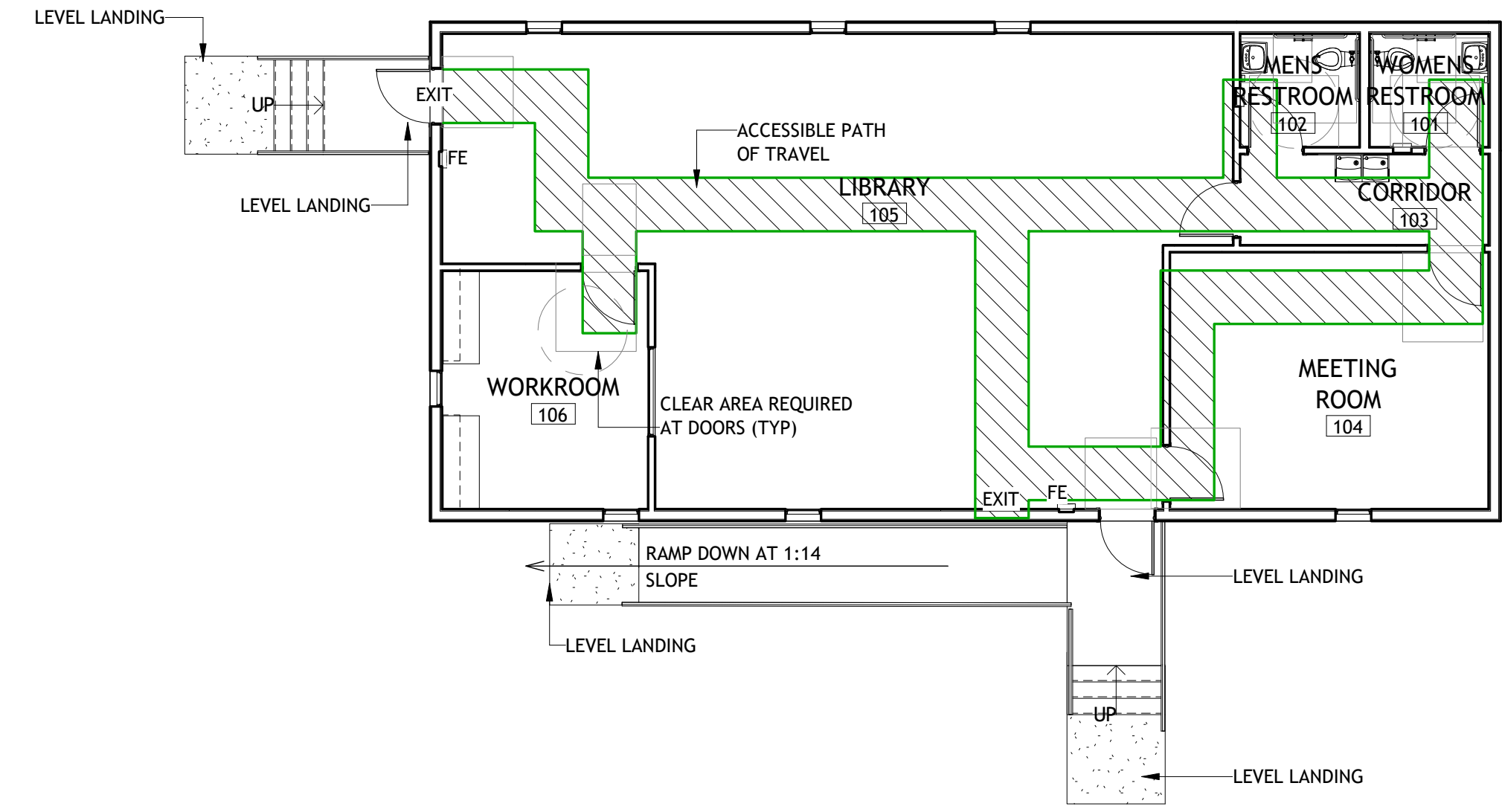
1 CODE COMPLIANCE PLAN
SCALE: 1/4" = 1'-0"



CODE COMPLIANCE REVIEW				
	NFPA 101, 2015 EDITION		IBC, 2015 EDITION	
	CODE REFERENCE	BUILDING SPECIFIC DATA	CODE REFERENCE	BUILDING SPECIFIC DATA
BUILDING SQUARE FOOTAGE		1600 SQFT		1600 SQFT
OCCUPANT CLASSIFICATION	6.1.2	ASSEMBLY	303.4	ASSEMBLY A-3
OCCUPANT LOAD	T7.3.1.2	50 SF PER PERSON : 32	T1004.1.2	20
OCCUPANCY SEPARATION	T6.1.14.4.1 (B)	NOT APPLICABLE	T508.4	NOT APPLICABLE
ALLOWABLE BUILDING HEIGHT	5000: T7.4.1	40'-0"	T504.3	55'-0"
ACTUAL BUILDING HEIGHT		16'-6"		16'-6"
CONSTRUCTION TYPE	5000: 7.2.3.1	TYPE V (000)	T601	TYPE VB
HAZARD OF CONTENTS	6.2.2.3	ORDINARY	-	NOT APPLICABLE
MIN DOOR WIDTH	7.2.1.2.3.2	32 INCHES CLEAR WIDTH	1010.1.1	32" WIDTH MINIMUM
EGRESS CAPACITY	7.3.3.1	.2 INCH PER PERSON (WIDTH)	1005.3.2	.2 INCH WIDTH PER OCCUPANT
FLOOR LEVEL AT DOORS	7.2.1.3.1	SHALL NOT VARY BY MORE THAN 1/2 INCH	1010.1.5 (4)	LEVEL ON BOTH SIDES OF DOOR (44" MIN) 1/2" VARIATION MAX
DOOR SWING	7.2.1.4.2 (1)	SHALL SWING IN DIRECTION OF TRAVEL AT ROOMS/AREAS OVER 50 PEOPLE	1010.1.2.1	IN DIRECTION OF EGRESS AT 50+ OCCUPANTS
DOOR ENCROACHMENT	7.2.1.4.3.1	NO MORE THAN 1/2 REQUIRED WIDTH TO BE BLOCKED DURING ANY PART OF SWING	1005.7.1	36" WITH OCCUPANT LOAD LESS THAN 50
PANIC/ EXIT DEVICE			1010.1.10	NOT REQUIRED (LESS THAN 50 OCCUPANTS)
CORRIDOR WIDTH MINIMUM	12.2.3.8	NOT LESS THAN 44 INCHES	T1020.2	36 INCHES MINIMUM
NUMBER OF EGRESS	12.2.4.1/7.4.1	NOT LESS THAN TWO	T1006.2.1	2 EXITS (WHERE OVER 75FT FOR COMMON PATH OF TRAVEL)
ARRANGEMENT OF EGRESS	7.5.1.3.1	REMOVEDNESS REQUIRED NOT LESS THAN 1/2 MAX OVERALL DIAGNAL OF BLDG	1007.1.1	APART NOT LESS THAN 1/2 THE DIAGNAL OF SPACE SERVED
TRAVEL DISTANCE TO EXIT	12.2.6.2	SHALL NOT EXCEED 200 FT	T1006.3.2 (2)	150 FT
DISCHARGE FROM EXIT	12.2.7.1/7.7.1	DIRECTLY TO AN EXTERIOR EXIT	1028.1	DIRECTLY TO EXTERIOR
ILLUMINATION OF EXIT	12.2.8	REQUIRED	1008.2	REQUIRED
EMERGENCY LIGHTING	12.2.10.1	SHALL BE PROVIDED	1008.3.1	REQUIRED AT CORRIDORS
MARKING OF EXITS	12.2.10/7.10.1.2.1	REQUIRED		
CONSTRUCTION TYPE	5000: 7.2.3.1	TYPE V (000)	T601	TYPE VB
EXTERIOR BEARING WALLS FIRE RATED	5000: T7.2.1.1	0	T601	0
INTERIOR BEARING WALLS FIRE RATED	5000: T7.2.1.1	0	T601	0
COLUMNS FIRE RATED	5000: T7.2.1.1	0	T601	0
BEAMS, GIRDERS, TRUSSES FIRE RATED	5000: T7.2.1.1	0	T601	0
FLOOR/ CEILING FIRE RATED	5000: T7.2.1.1	0	T601	0
ROOF/CEILING FIRE RATED	5000: T7.2.1.1	0	T601	0
INTERIOR NON-BEARING FIRE RATED	5000: T7.2.1.1	0	T601	0
EXTERIOR NON-BEARING FIRE RATED	5000: T7.2.1.1	0	T601	0
FIRE BARRIERS		NONE	707.1	N/A
FIRE BARRIER FIRE RESISTANCE (IN HOURS)		NONE	T707.3.10	N/A
SMOKE PARTITIONS		NONE	710	N/A
SMOKE BARRIERS		NONE	709	N/A
VERTICAL SHAFT		N/A	707.3.1	NOT APPLICABLE
SPECIAL HAZARD PROTECTION		N/A		NOT APPLICABLE
FIRE ALARM SYSTEM	12.3.4.1.1	NOT REQUIRED	907.2.X	NOT REQUIRED
FIRE DETECTION TYPE	12.3.4.1.1	NOT REQUIRED	907.2.X	N/A
FIRE EXTINGUISHERS	9.7.4.1	2A/20B/C (ONE PER 3000 SF AND WITHIN 100 LF OF EACH OTHER)	906.3 (NFPA 10)	ONE 2A/20B/C PER EVERY 3,000 SF AND EVERY 100 FT (TYPE K AT...)
CORRIDOR FIRE RESISTANCE	7.1.3.1	EXIT ACCESS CORRIDORS TO BE 1-HOUR FR	T1020.1	1-HR IF OVER 30 (NOT REQUIRED)
INTERIOR WALL AND CEILING FINISH	12.3.3.3	CLASS A, B OR C	T803.13	CLASS C MINIMUM
INTERIOR FLOOR FINISH	12.3.3.5.1	CLASS I OR II	804.4.2	CLASS I OR II
SPRINKLERS	12.3.5.2	NOT REQUIRED	903.2.1.3	NOT REQUIRED
JANITOR CLOSET	8.7.1.1	SMOKE-RATED SEPERATION W/ SPRINKLER HEAD		NOT APPLICABLE
ALLOWABLE COMBUSTIBLE MATERIAL	5000: 7.2.3.2.13	FOAM PLASTIC INSUL., THERMAL/ACOUSTICAL INSUL., FLOOR FINISHES, DOOR TRIM, WDW TRIM, BLOCKING	603.1	THERMAL INSUL., DOORS, MILLWORK, TRIM, BLOCKING, FRAMING STRIPS
MAXIMUM AREA OF EXTERIOR WALL OPENINGS	5000: T7.3.5 (A)	100%	T705.8	NO LIMIT
ACTUAL AREA OF EXTERIOR WALL OPENINGS		168 SQFT		168 SQFT

PLUMBING CODE (IBC 2012)	REQUIRED #		PROVIDED #	
	WOMEN	MEN	WOMEN	MEN
FIXTURE TYPES				
WATER CLOSETS	1	1	1	1
LAVATORIES	1	1	1	1
URINALS	0	0	0	0
ELECTRIC WATER COOLERS	1		2	

2 CODE COMPLIANCE PLAN
SCALE: 1/8" = 1'-0"



Brossett Architect, LLC · 414 Pujo St., Lake Charles, LA 70601

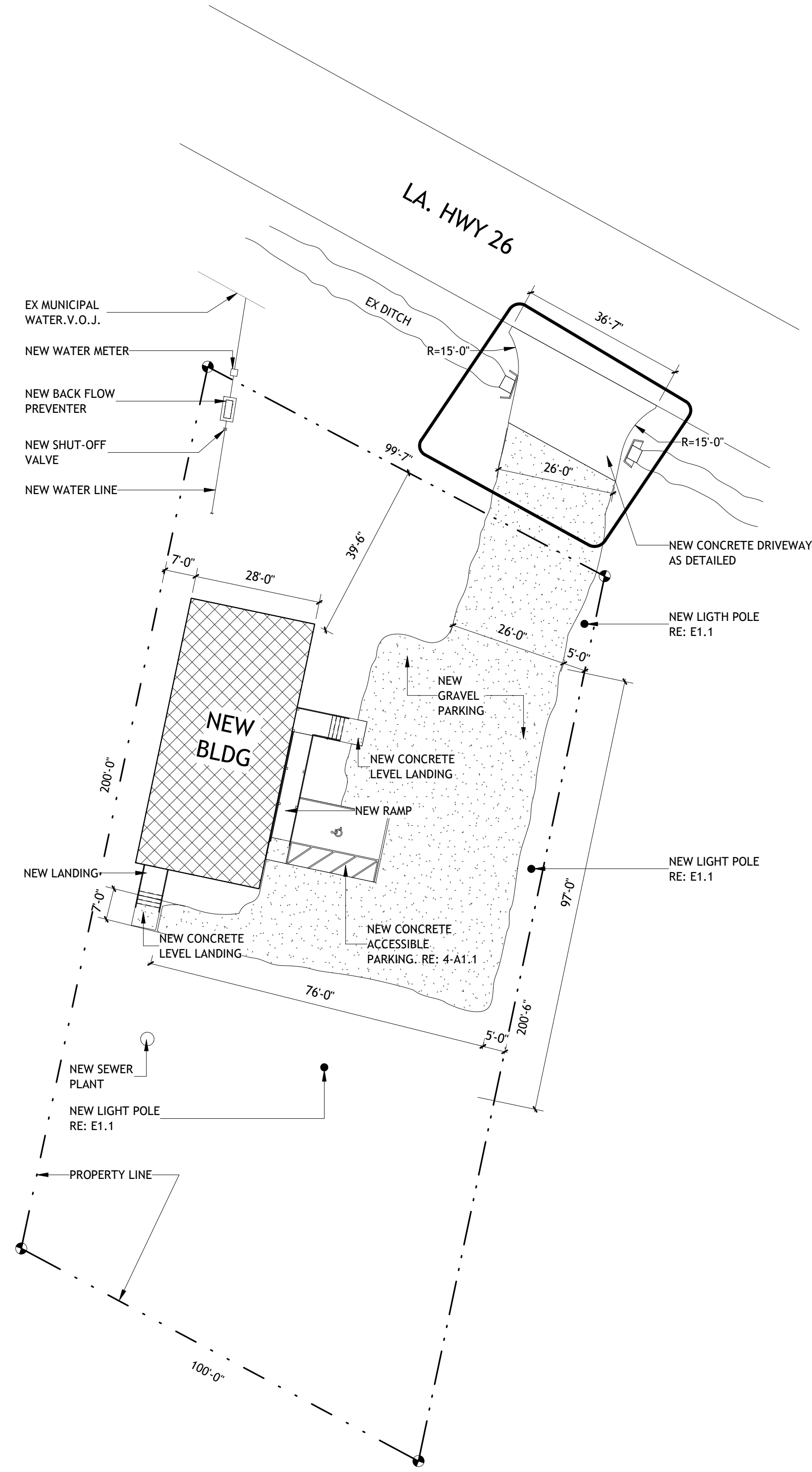
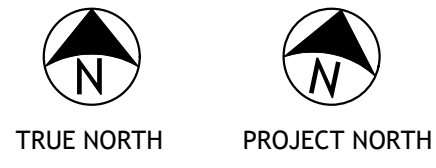
BEAUREGARD PUBLIC LIBRARY
WYE BRANCH
HIGHWAY 26
DRY CREEK, LOUISIANA 70637
CODE COMPLIANCE

SHEET NO. **T0.2**

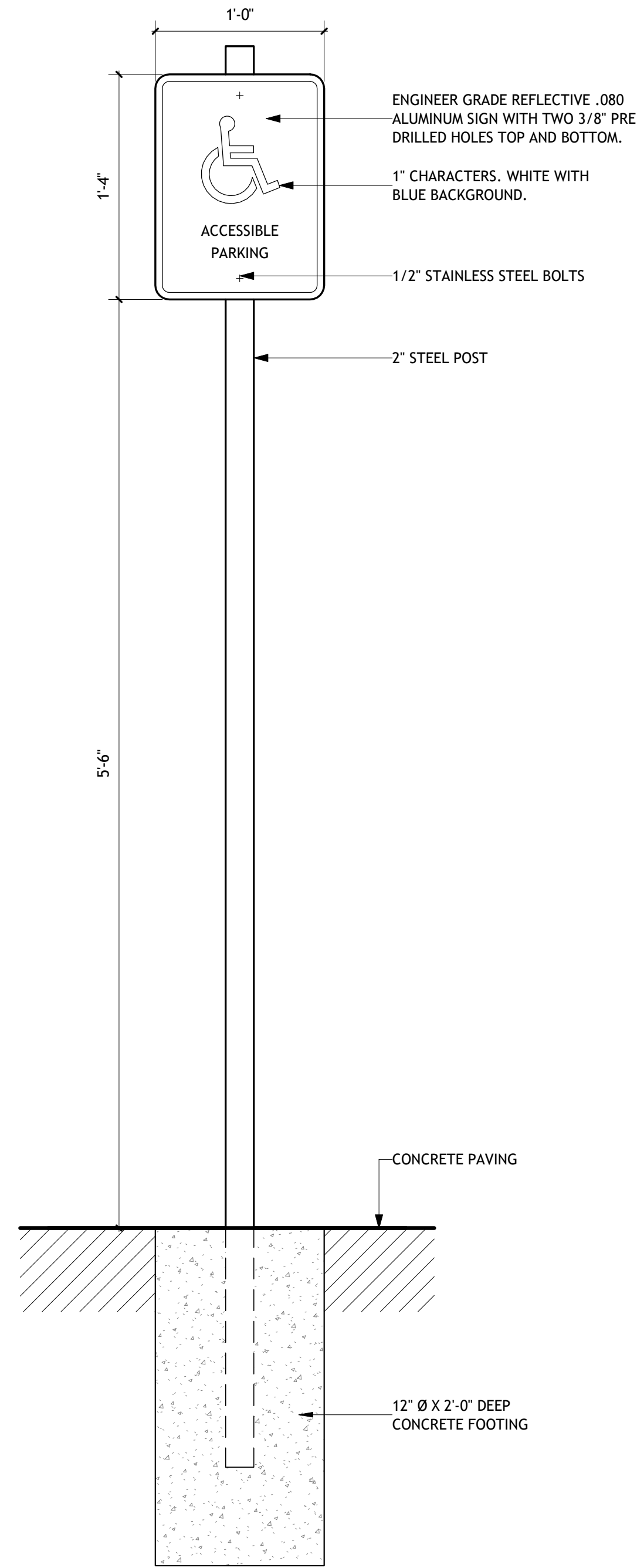
VER.	DATE	DESCRIPTION
0	01/17/2022	BID DOCUMENTS

© COPYRIGHT 2022, Brossett Architect, LLC All Rights Reserved. This document shall not be copied or reproduced without written permission.

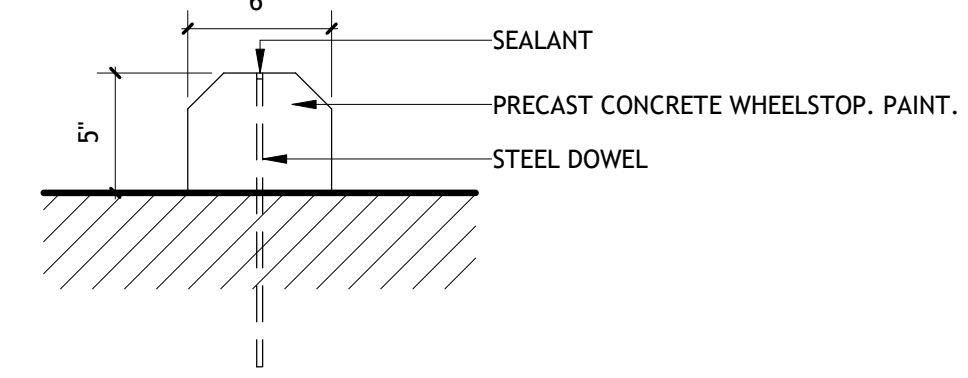
1 SITE PLAN
SCALE: 1" = 20'-0"



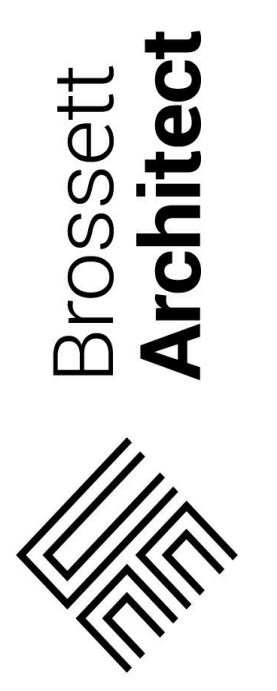
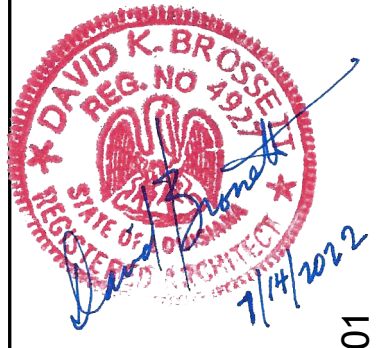
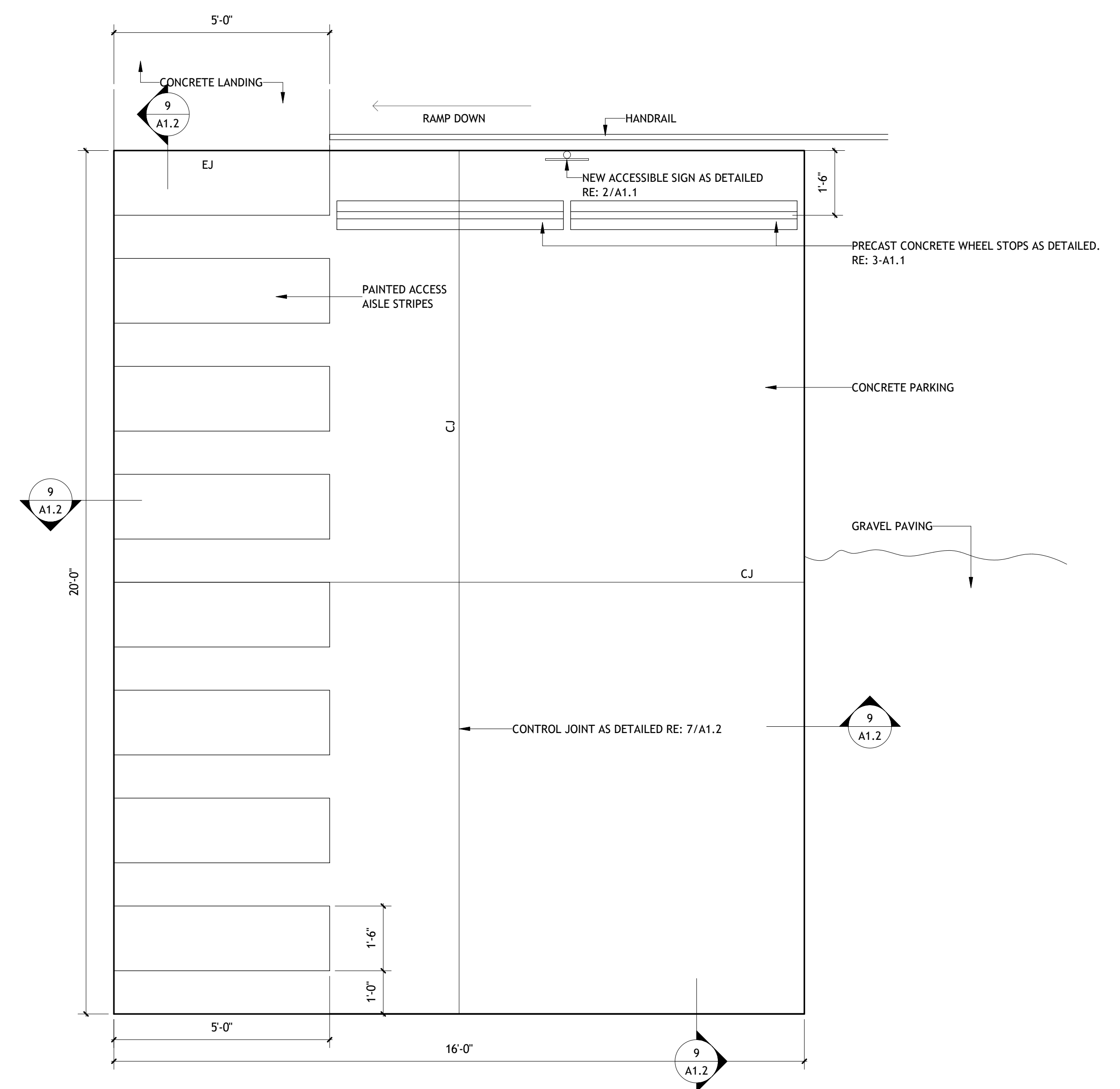
2 ACCESSIBLE PARKING SIGN DETAIL
SCALE: 1 1/2" = 1'-0"



3 WHEEL STOP DETAIL
SCALE: 1 1/2" = 1'-0"



4 ACCESSIBLE PARKING DETAIL
SCALE: 1/2" = 1'-0"



Brossett Architect, LLC • 414 Pujo St., Lake Charles, LA 70601

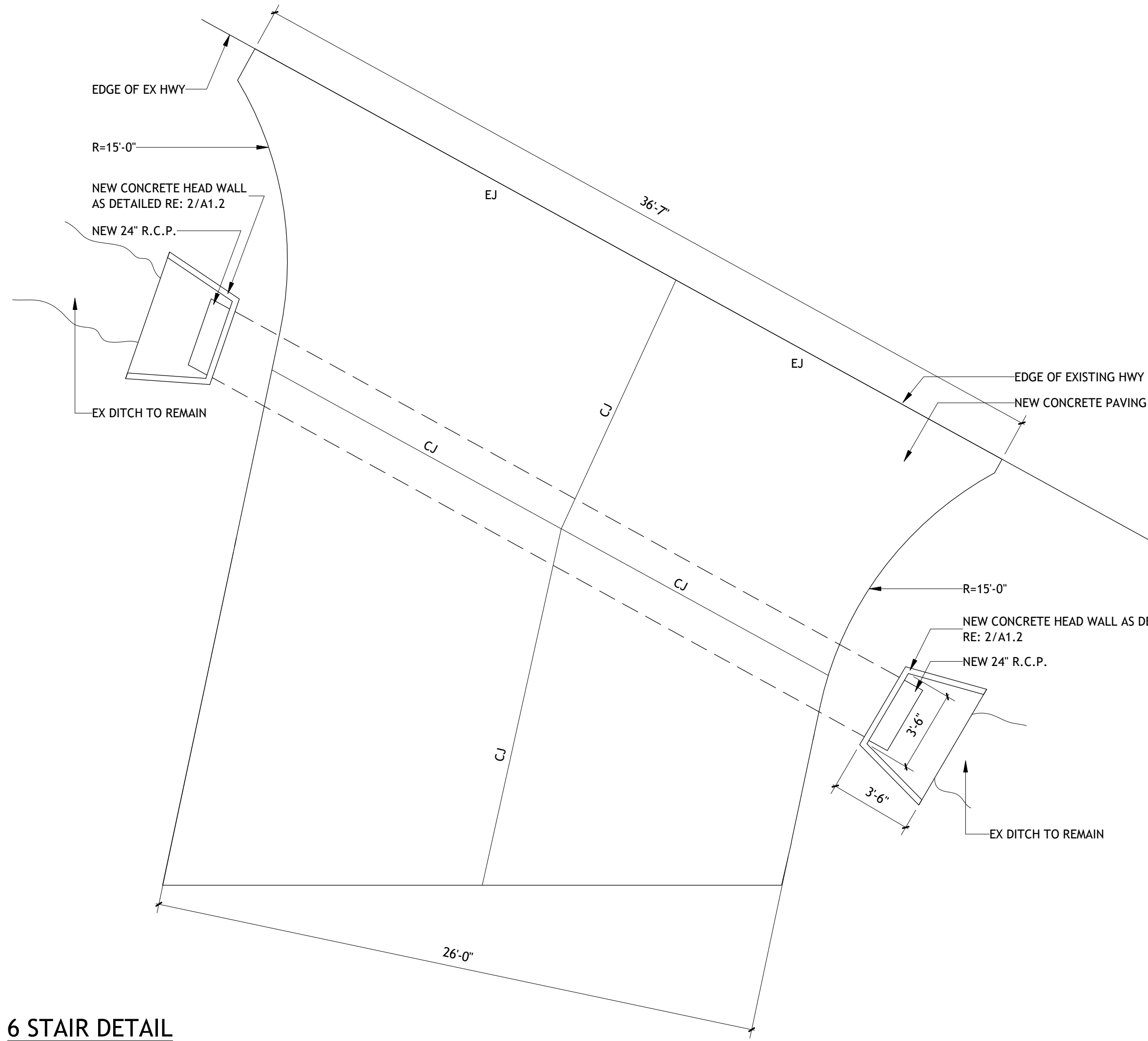
**BEAUREGARD PUBLIC LIBRARY
WYE BRANCH**
HIGHWAY 26
DRY CREEK, LOUISIANA 70637
SITE PLAN

SHEET NO.
A1.1
ARCH #21025 BA

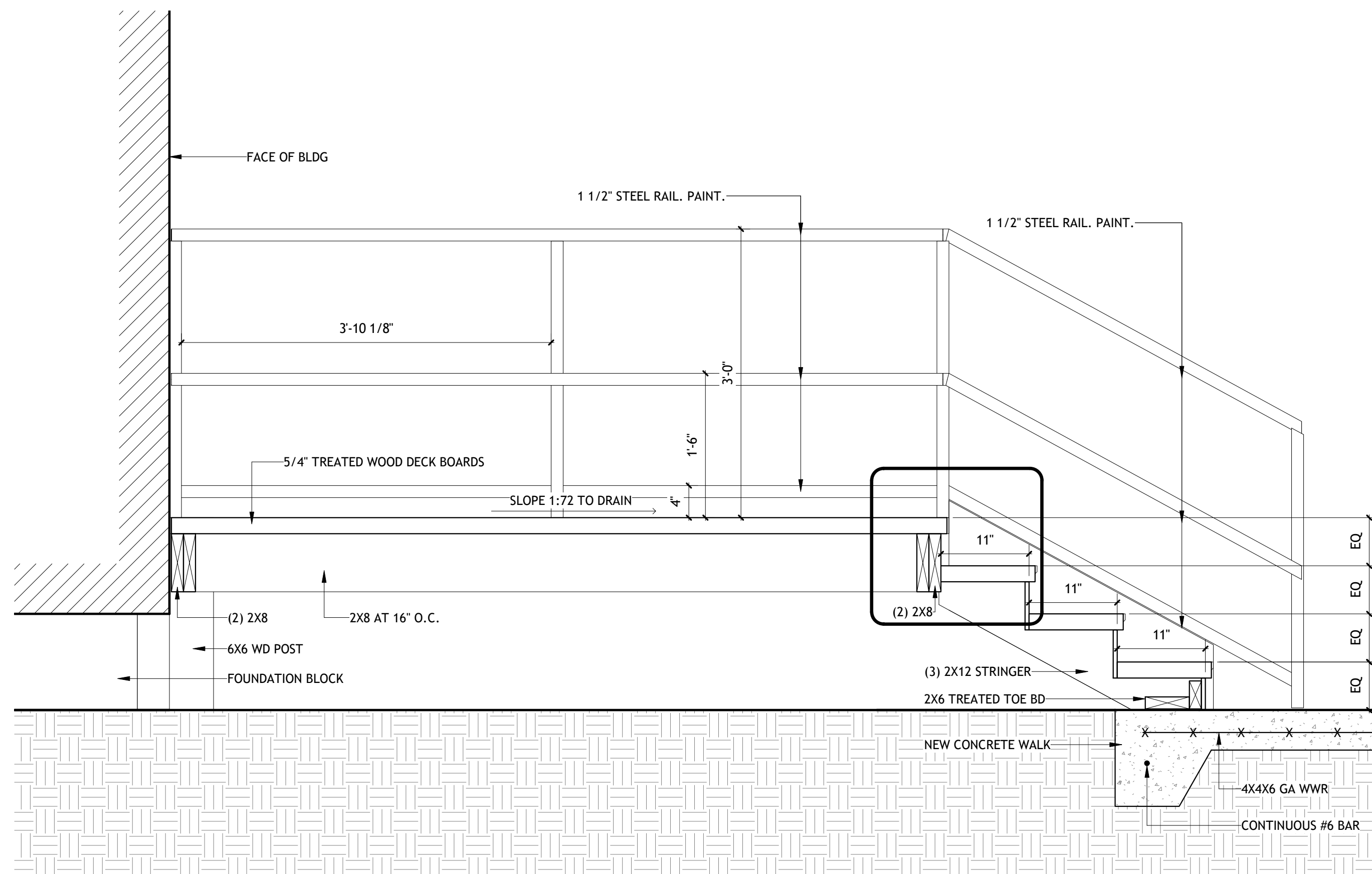
VER.	DATE	DESCRIPTION
0	01/17/2022	BID DOCUMENTS

© COPYRIGHT 2022,
Brossett Architect, LLC
All Rights Reserved.
This document shall not be
copied or reproduced
without written permission.

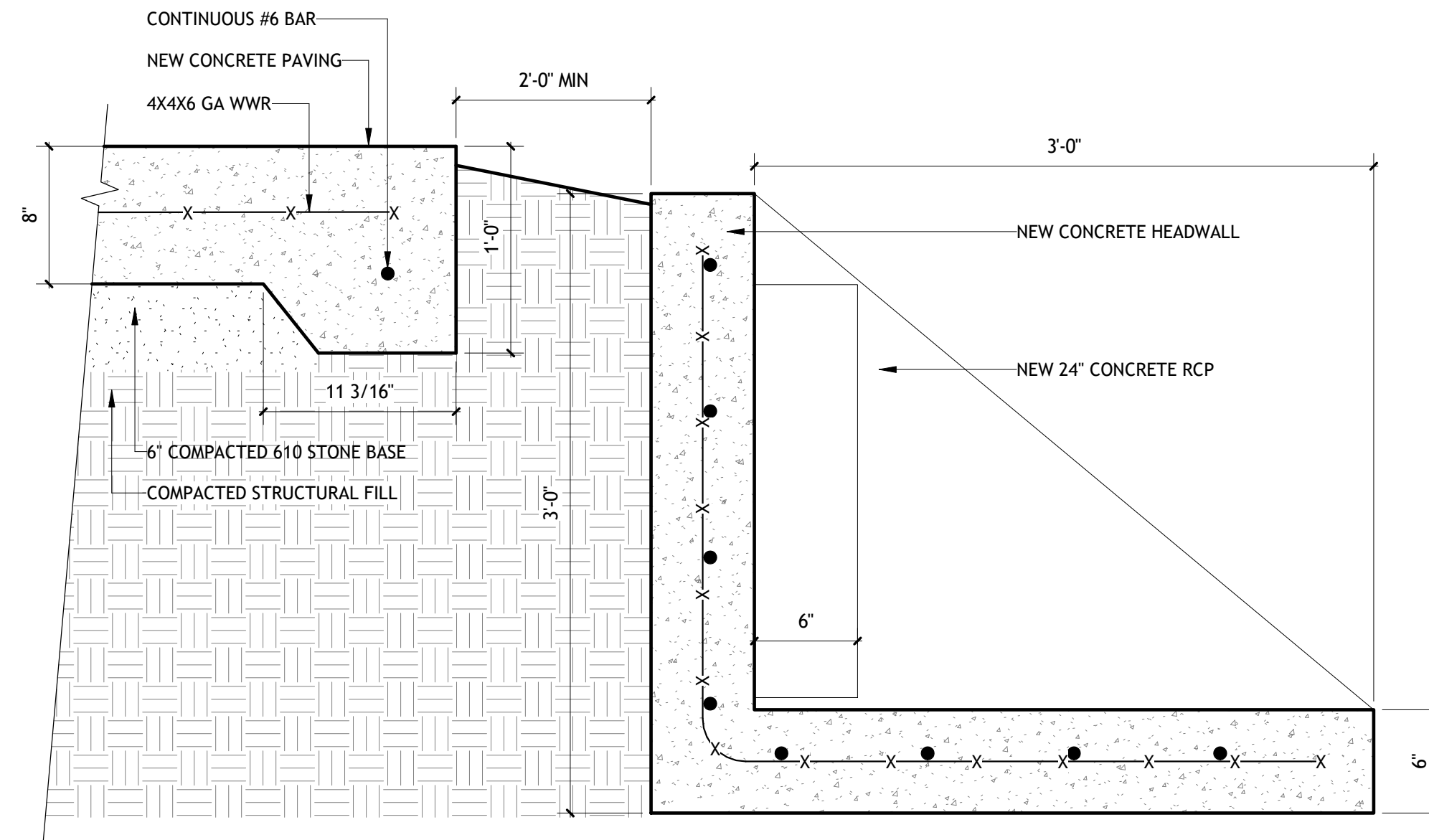
1 DRIVEWAY DETAIL
SCALE: 1/4" = 1'-0"



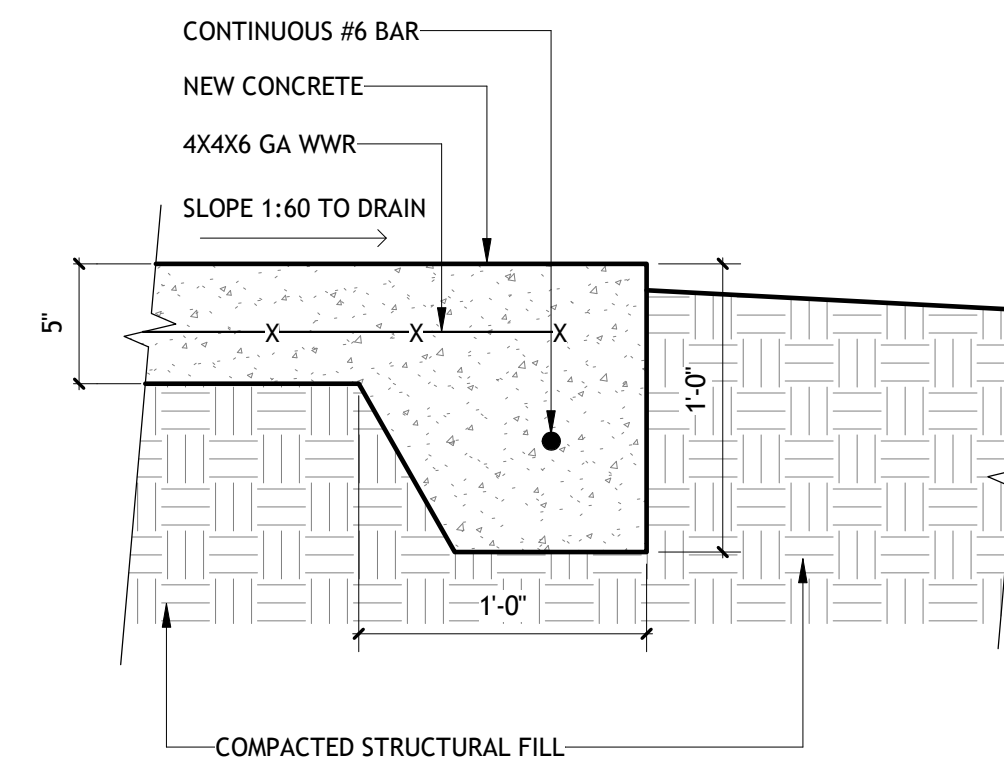
6 STAIR DETAIL
SCALE: 1" = 1'-0"



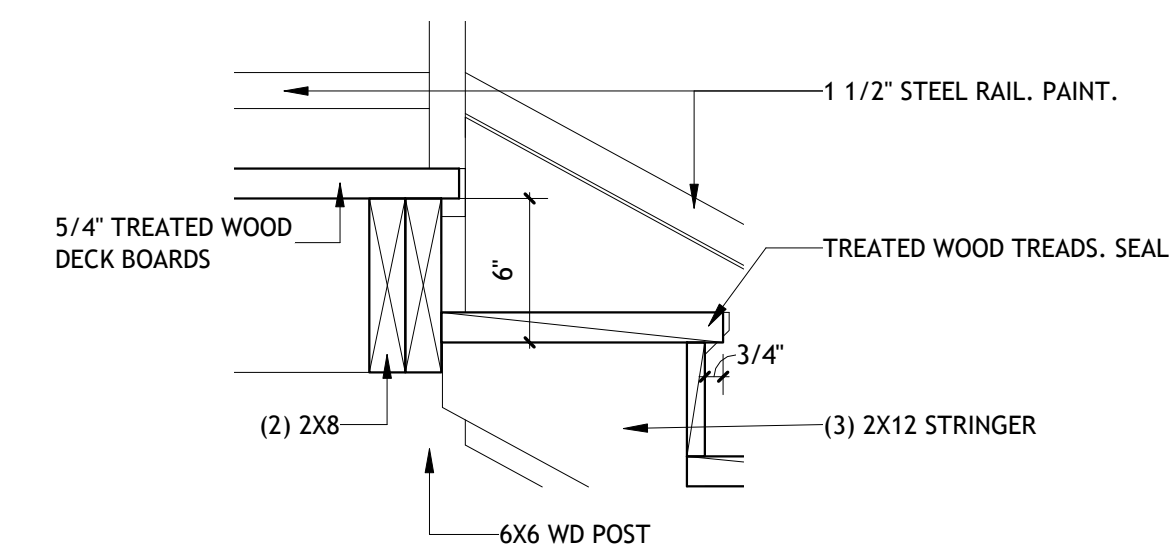
2 CONCRETE HEAD WALL
SCALE: 1 1/2" = 1'-0"



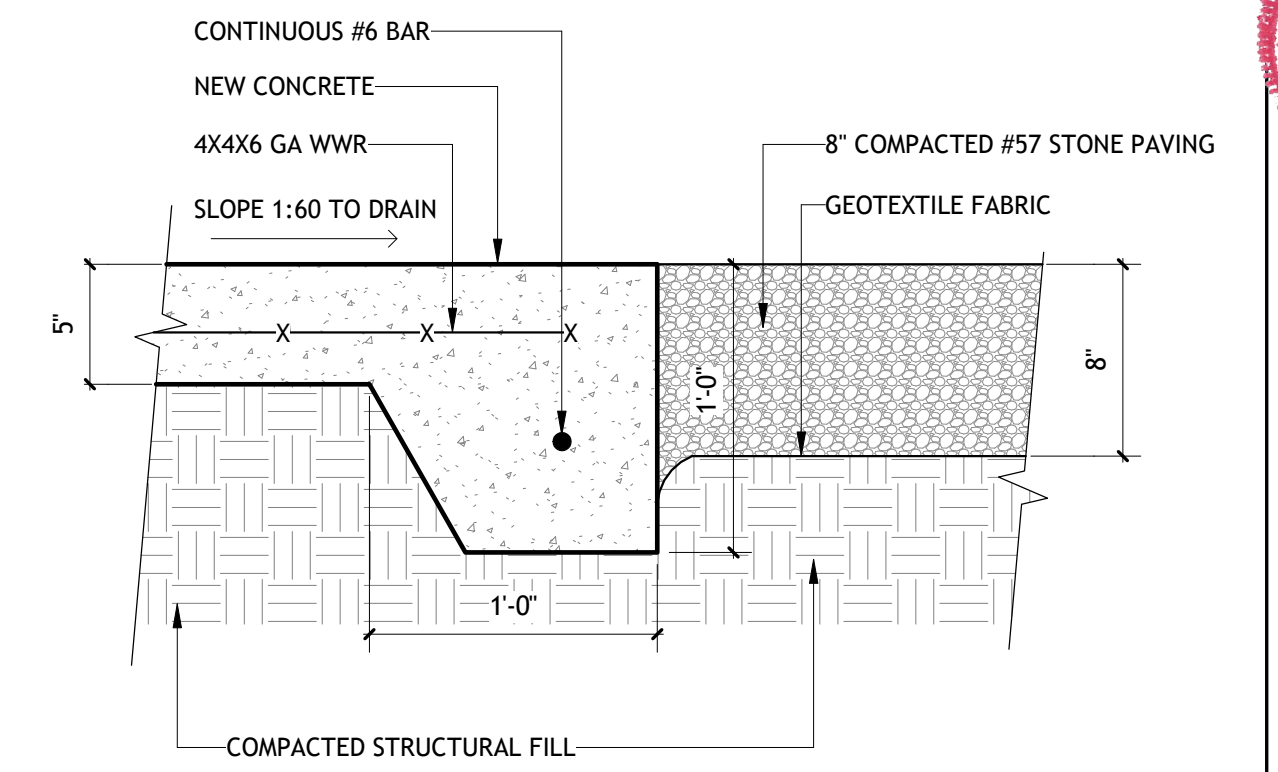
4 CONCRETE WALK DETAIL
SCALE: 1 1/2" = 1'-0"



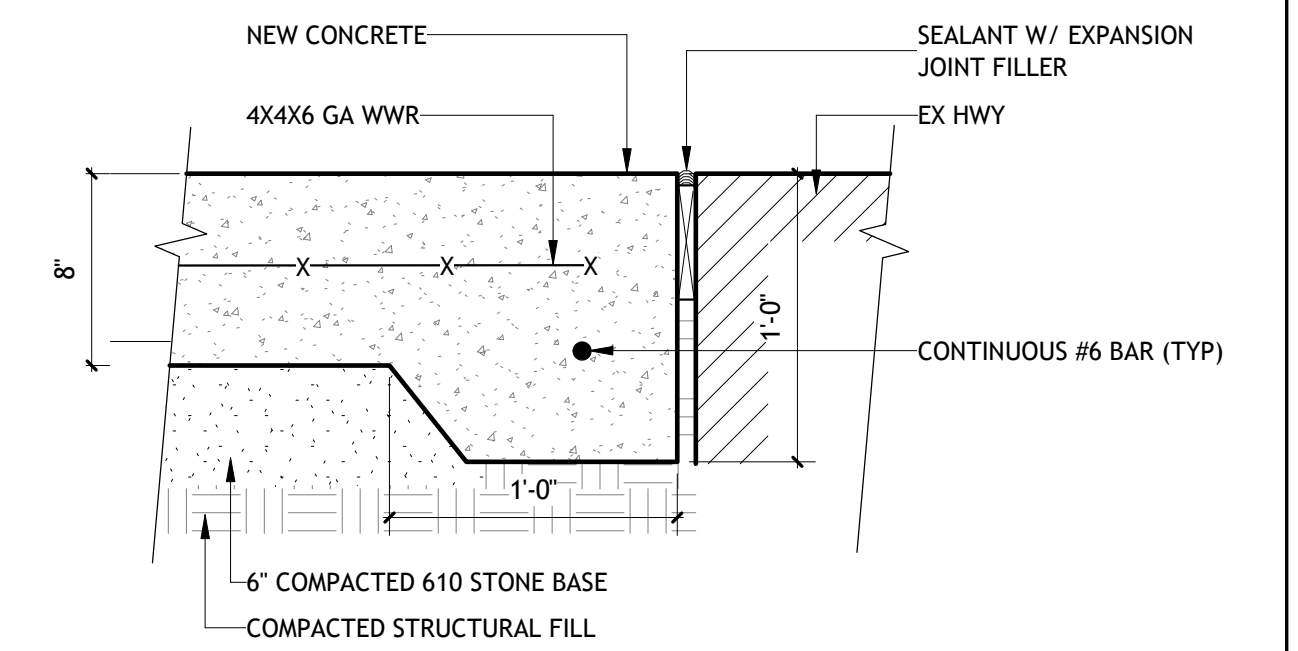
7 PORCH DETAIL
SCALE: 1 1/2" = 1'-0"



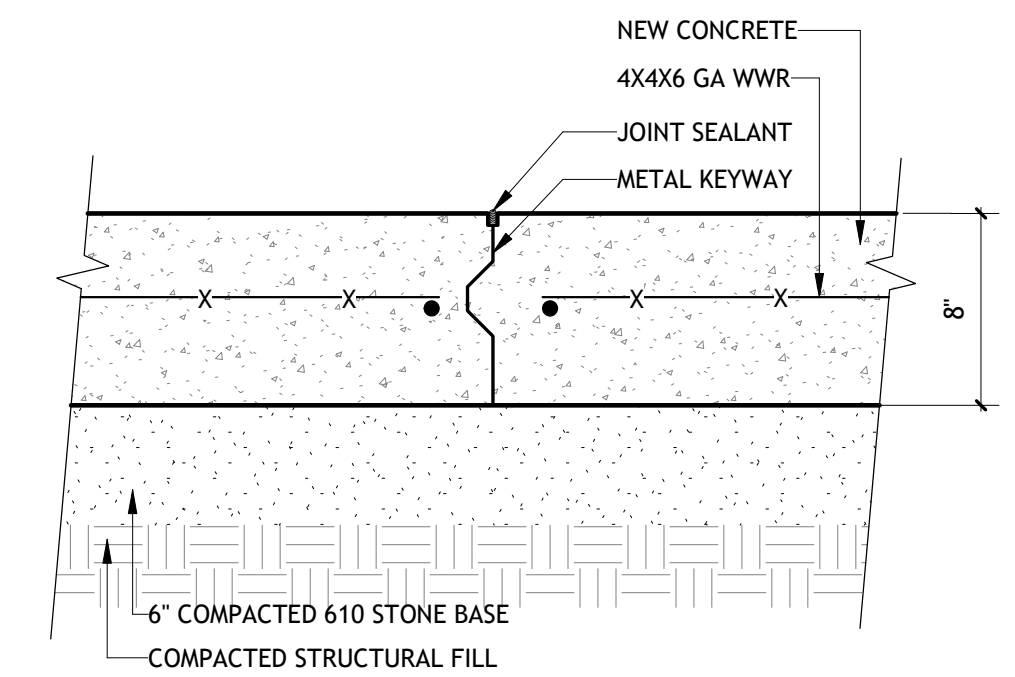
3 CONCRETE WALK DETAIL
SCALE: 1 1/2" = 1'-0"



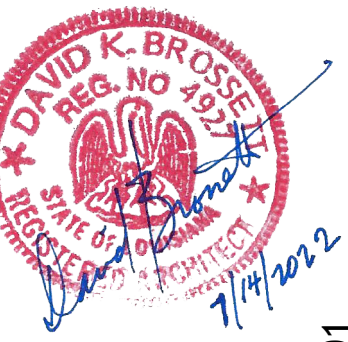
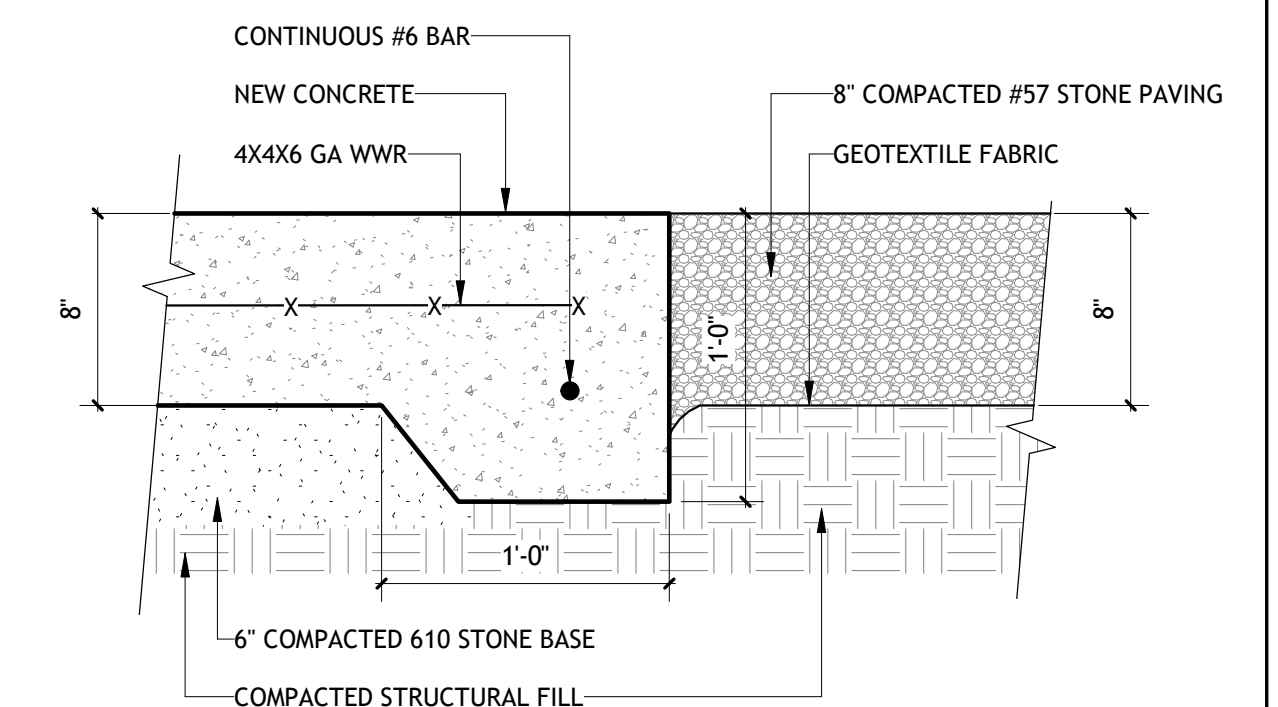
5 NEW PAVING TO EXISTING DETAIL
SCALE: 1 1/2" = 1'-0"



8 PAVING JOINT DETAIL
SCALE: 1 1/2" = 1'-0"
NOTE: SHOWN AS "CJ" ON DWGS



9 PAVING DETAIL
SCALE: 1 1/2" = 1'-0"



**Brossett
Architect**



Brossett Architect, LLC • 414 Pujo St., Lake Charles, LA 70601

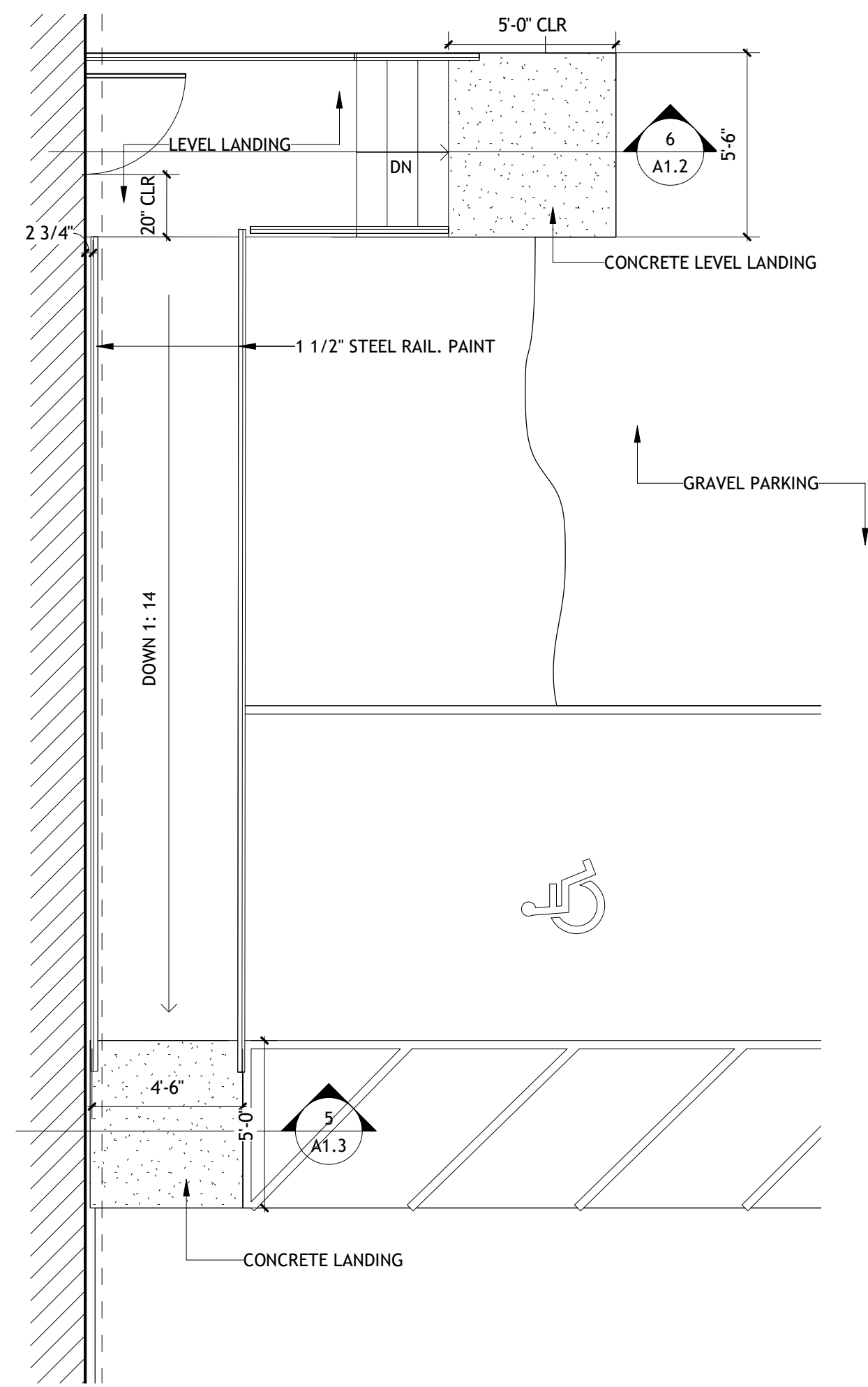
BEAUREGARD PUBLIC LIBRARY
WYE BRANCH
HIGHWAY 26
DRY CREEK, LOUISIANA 70637
SITE DETAILS

SHEET NO.
A1.2
ARCH #21025 BA

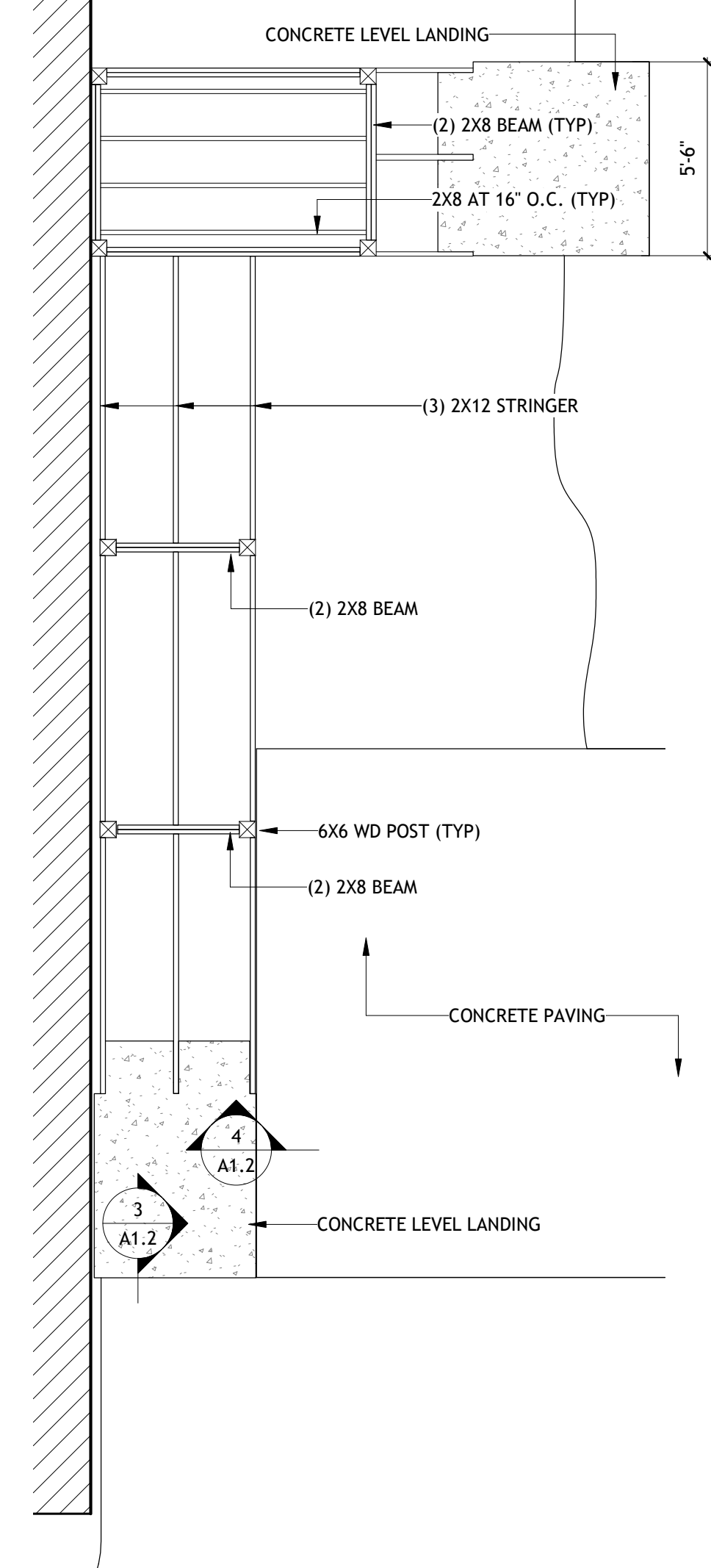
VER.	DATE	DESCRIPTION
0	01/17/2022	BID DOCUMENTS

© COPYRIGHT 2022,
Brossett Architect, LLC
All Rights Reserved.
This document shall not be
copied or reproduced
without written permission.

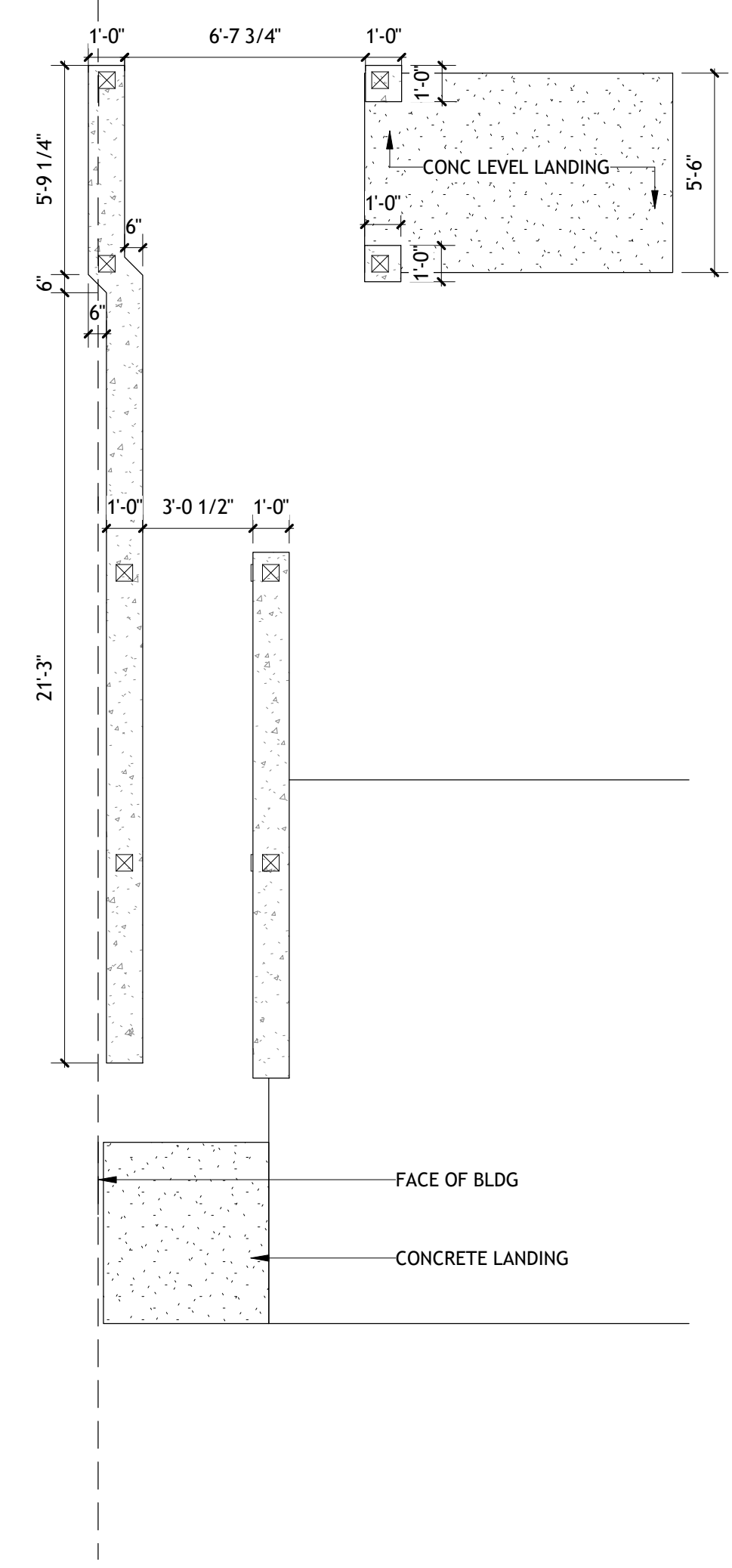
1 PORCH DETAIL
SCALE: 1/4" = 1'-0"



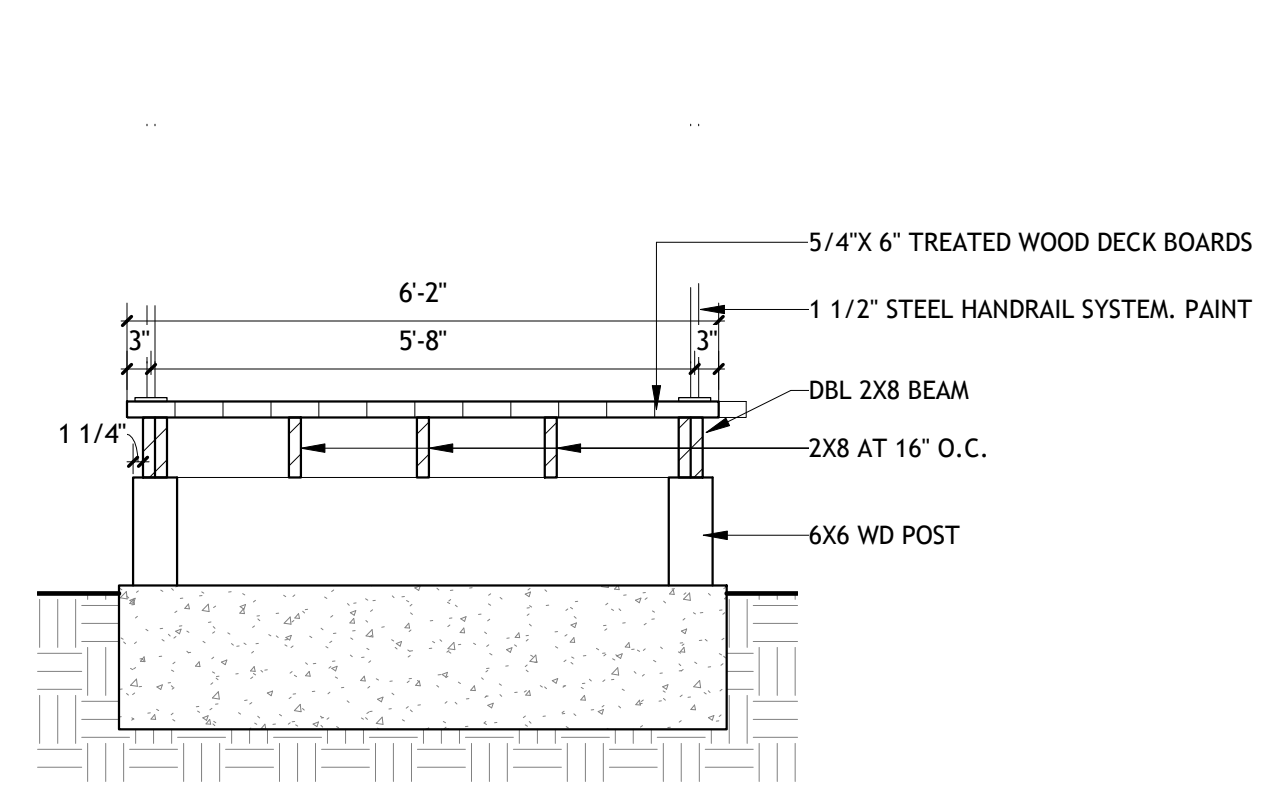
2 PORCH DETAIL - FRAMING
SCALE: 1/4" = 1'-0"



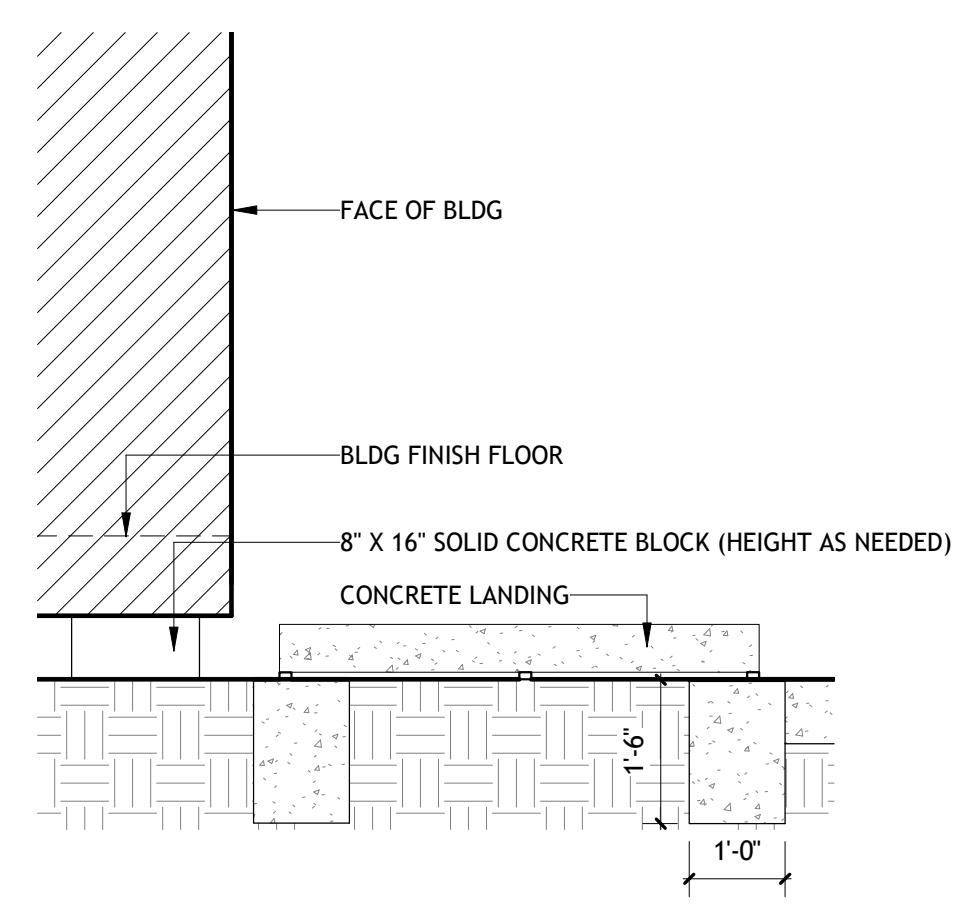
3 PORCH DETAIL - FOUNDATION
SCALE: 1/4" = 1'-0"



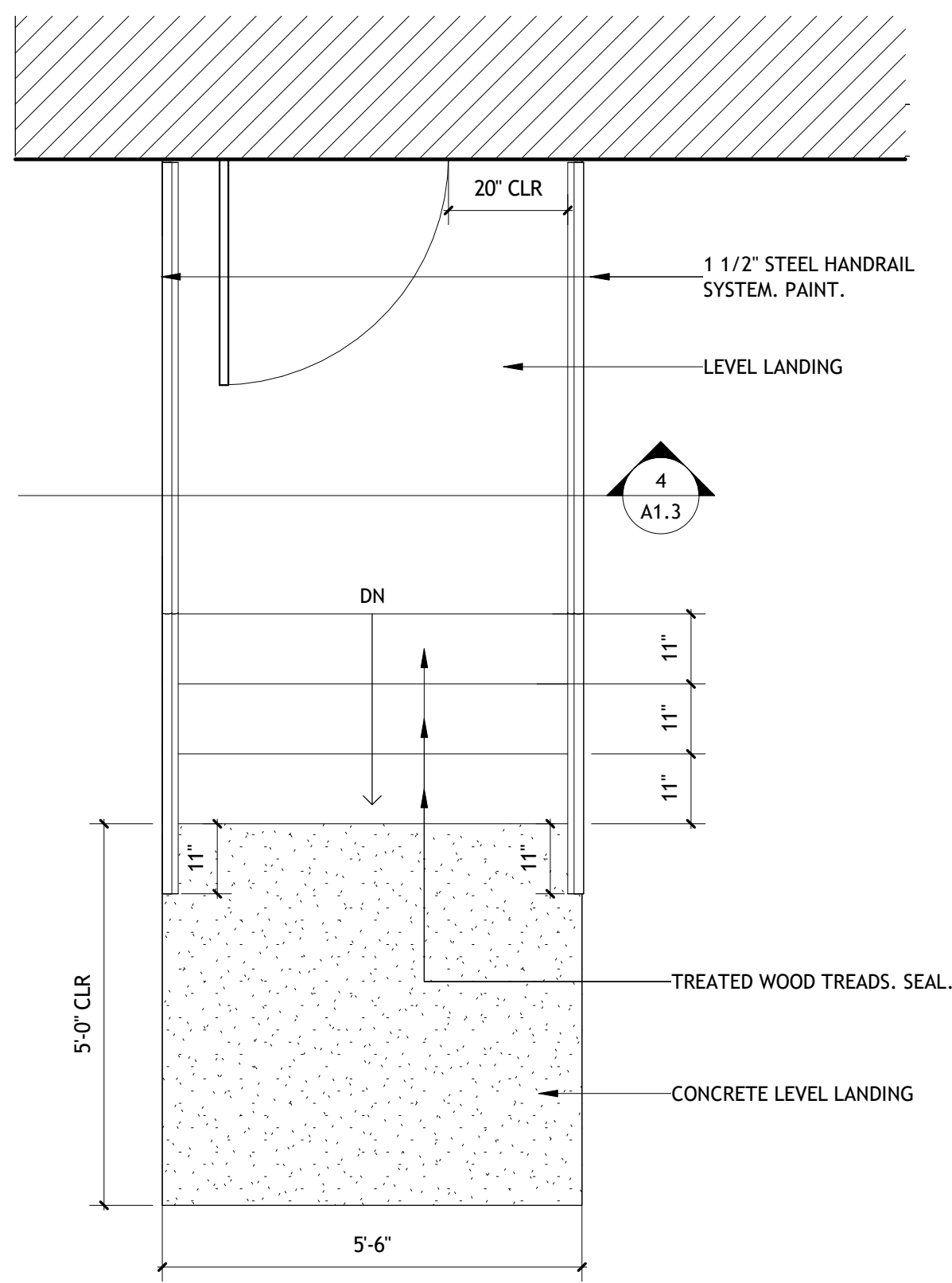
4 LANDING DETAIL
SCALE: 1/2" = 1'-0"



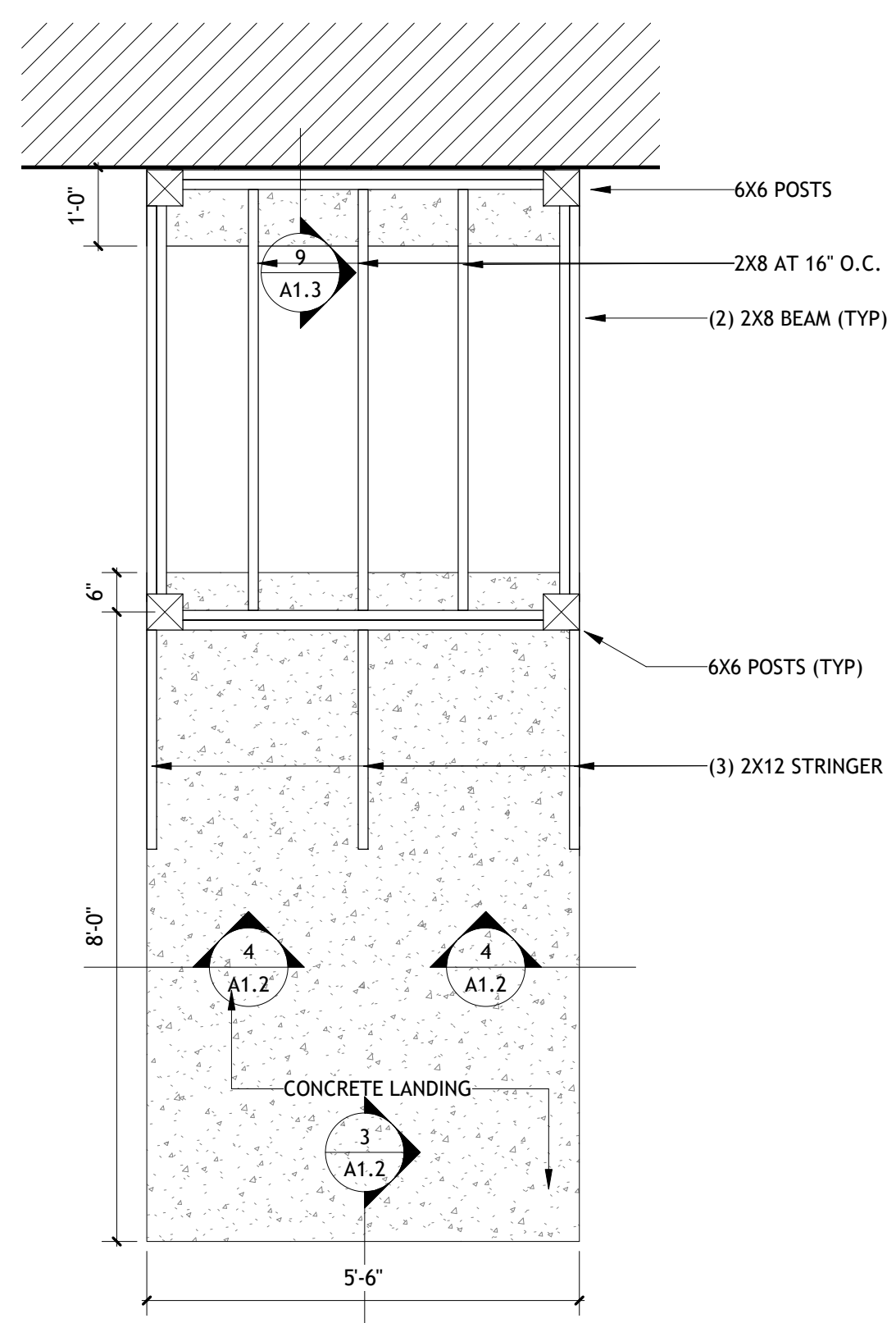
5 LANDING DETAIL
SCALE: 1/2" = 1'-0"



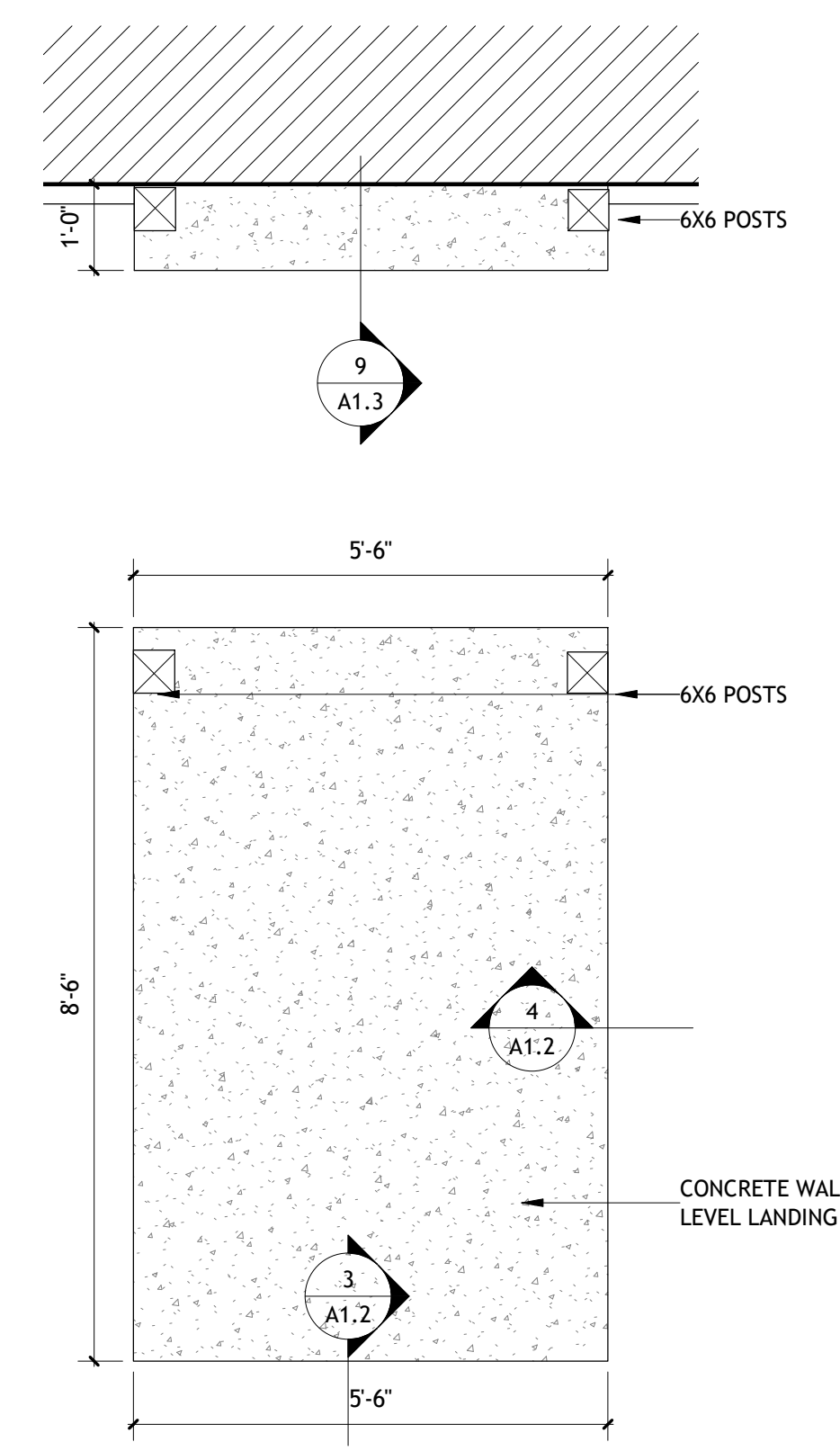
6 STAIR DETAIL
SCALE: 1/2" = 1'-0"



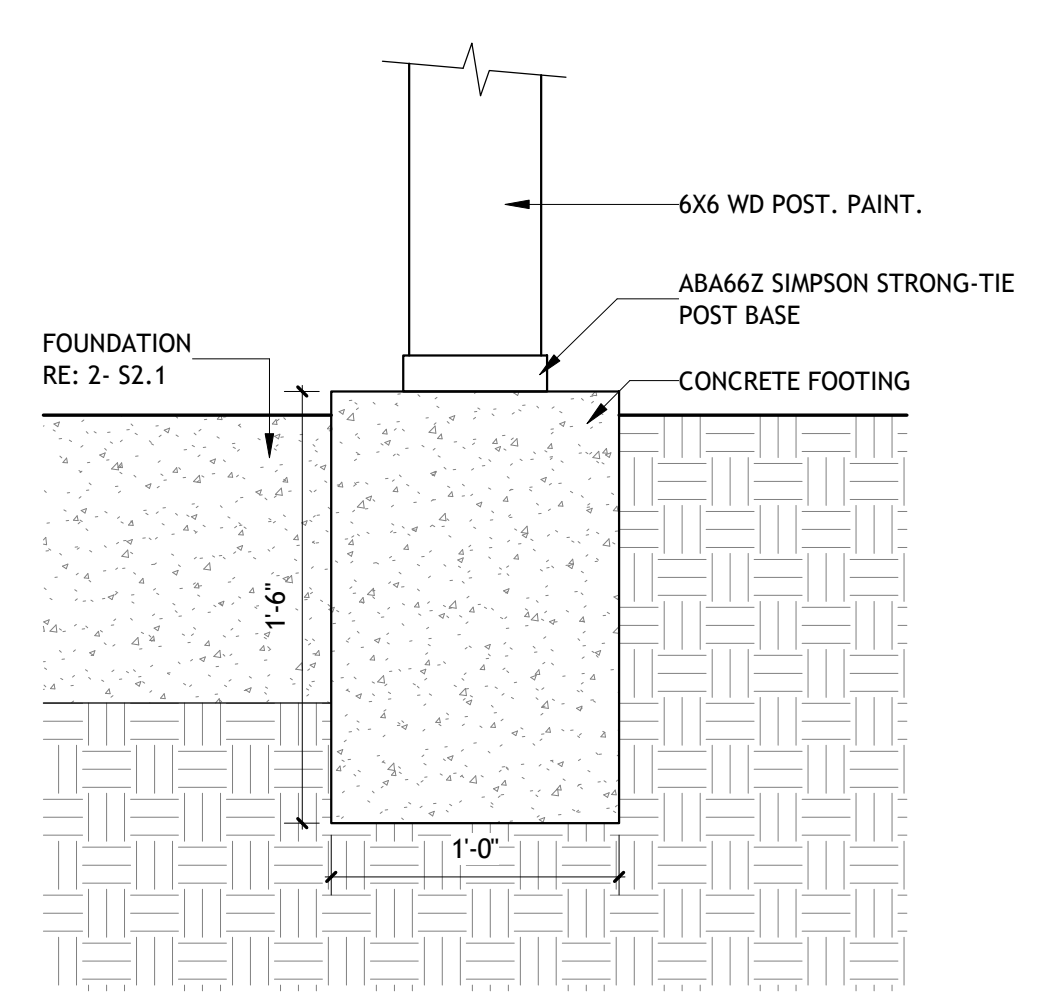
7 STAIR DETAIL - FRAMING
SCALE: 1/2" = 1'-0"



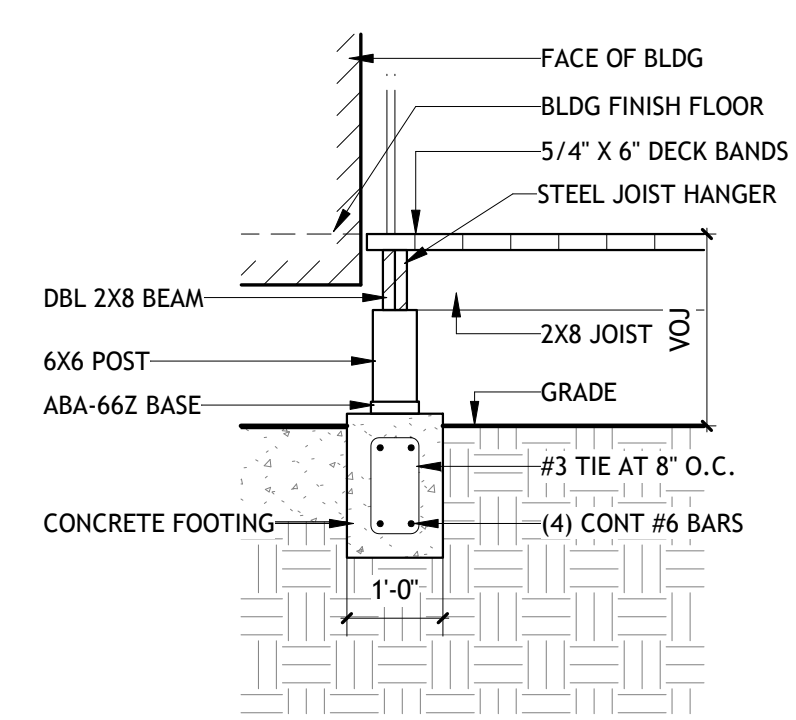
8 STAIR DETAIL - FOUNDATION
SCALE: 1/2" = 1'-0"



10 FOUNDATION DETAIL
SCALE: 1 1/2" = 1'-0"



9 FOUNDATION DETAIL 2
SCALE: 1/2" = 1'-0"



**Brossett
Architect**



Brossett Architect, LLC • 414 Pujo St., Lake Charles, LA 70601

BEAUREGARD PUBLIC LIBRARY

WYE BRANCH

HIGHWAY 26
DRY CREEK, LOUISIANA 70637

SITE DETAILS

SHEET NO.

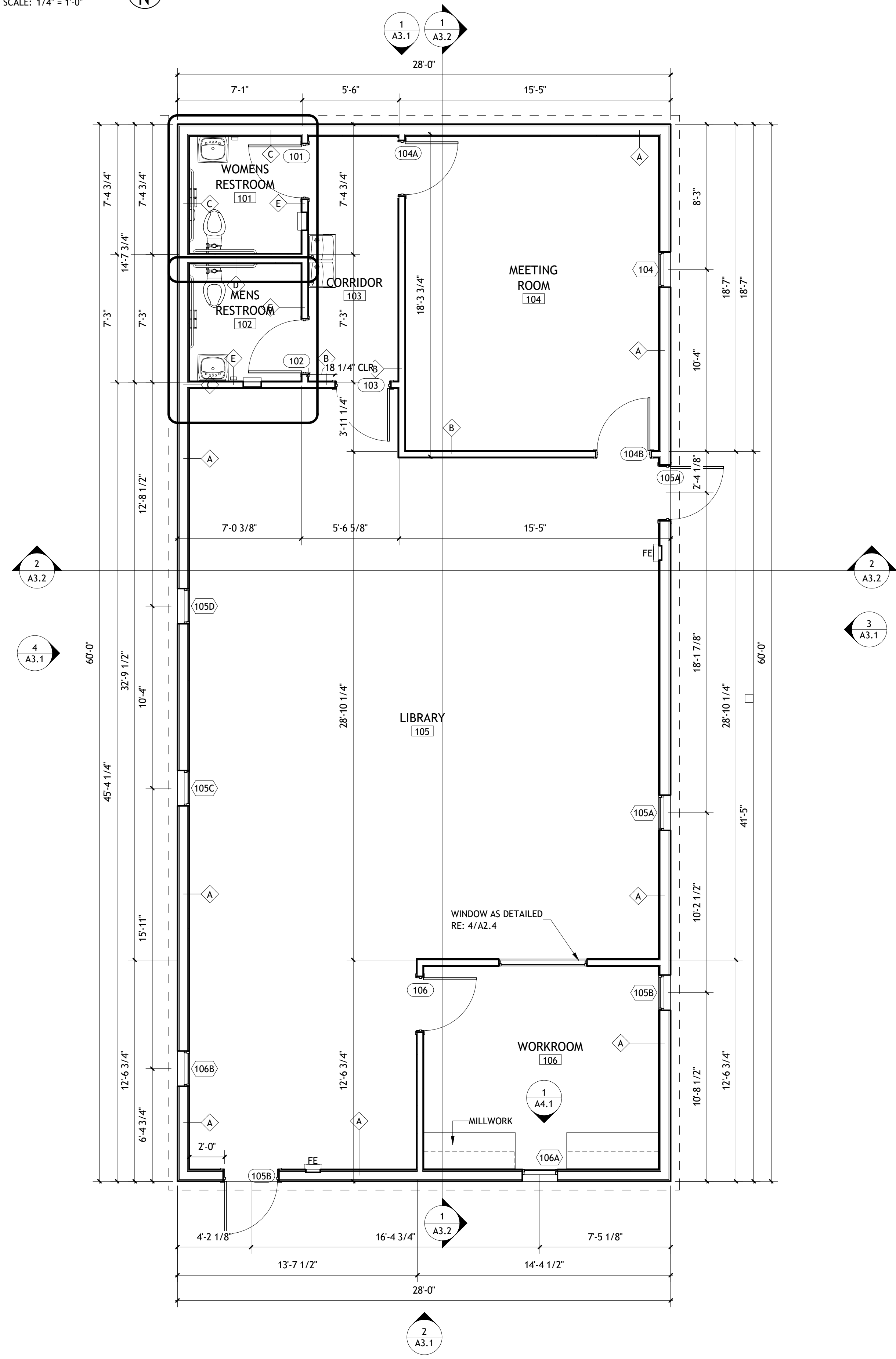
A1.3

ARCH #21025 BA

VER.	DATE	DESCRIPTION
0	01/17/2022	BID DOCUMENTS

© COPYRIGHT 2022, Brossett Architect, LLC All Rights Reserved. This document shall not be copied or reproduced without written permission.

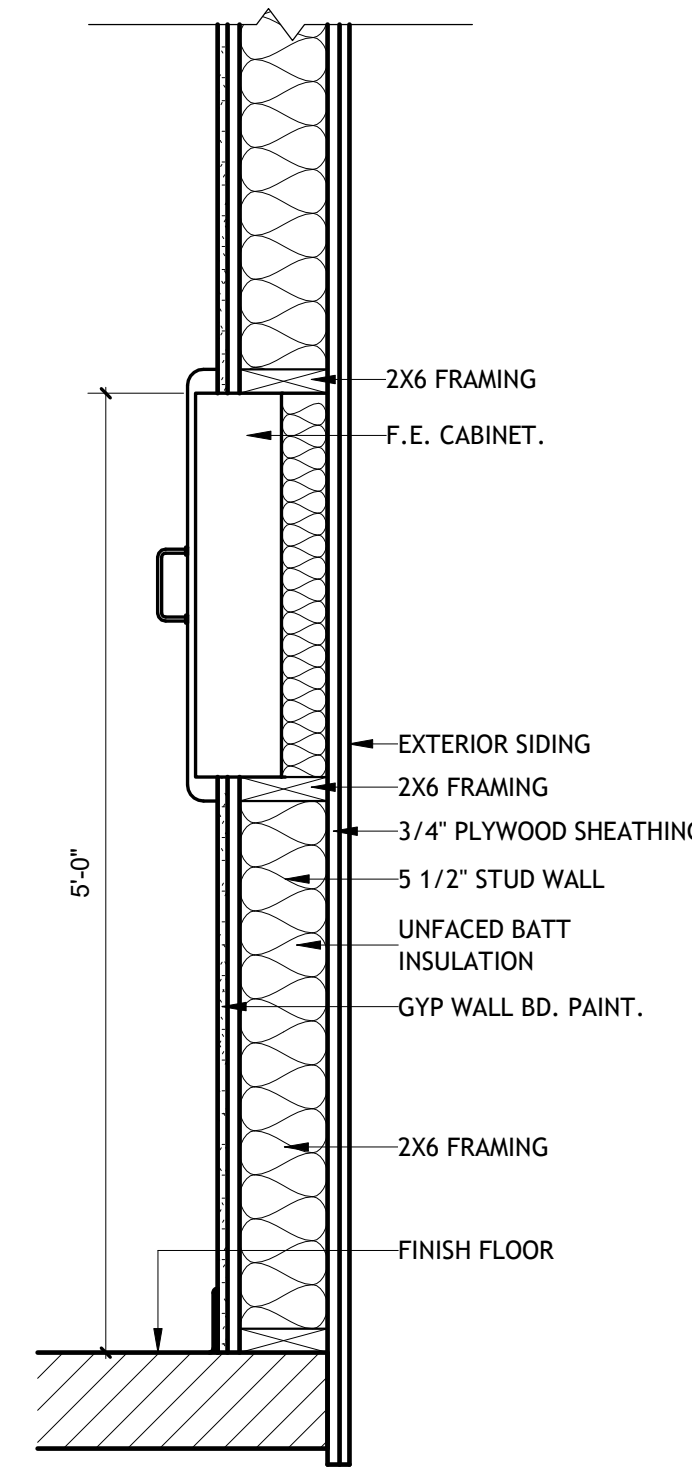
1 FLOOR PLAN
SCALE: 1/4" = 1'-0"



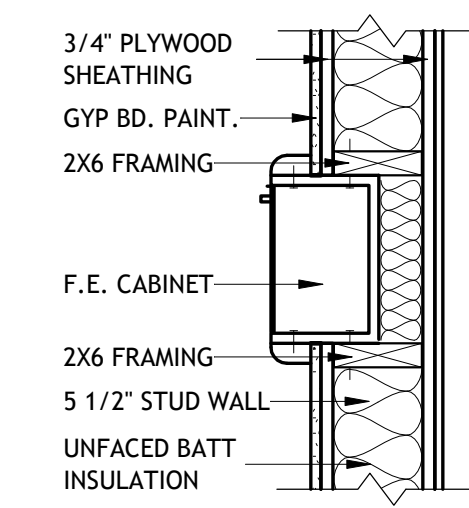
WALL TYPES

- A EXTERIOR SIDING, LIQUID APPLIED VAPOR BARRIER, 3/4" PLYWOOD SHEATHING, 2X6 WOOD STUDS AT 16" O.C. WITH UNFACED BATT INSULATION, 3/4" PLYWOOD SHEATHING, 5/8" GYP WALL BOARD
- B 5/8" GYP BOARD, 2X4 WOOD STUDS AT 16" O.C. WITH UNFACED BATT INSULATION, 5/8" GYP WALL BOARD
- C EXTERIOR SIDING, LIQUID APPLIED VAPOR BARRIER, 3/4" PLYWOOD SHEATHING, 2X6 WOOD STUDS AT 16" O.C. WITH UNFACED BATT INSULATION, 3/4" PLYWOOD SHEATHING, 5/8" GYP WALL BOARD, 1/8" FIBER REINFORCED PLASTIC
- D 5/8" GYP BOARD, 2X6 WOOD STUDS AT 16" O.C. WITH UNFACED BATT INSULATION, 5/8" GYP WALL BOARD
- E 5/8" GYP BOARD, 2X4 WOOD STUDS AT 16" O.C. WITH UNFACED BATT INSULATION, 5/8" GYP WALL BOARD, 1/8" FIBER REINFORCED PLASTIC

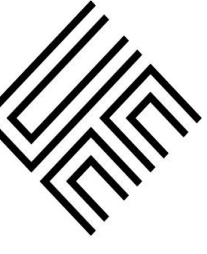
2 F.E. CAB SECTION
SCALE: 1" = 1'-0"



3 F.E. CAB PLAN
SCALE: 1" = 1'-0"



**Brossett
Architect**



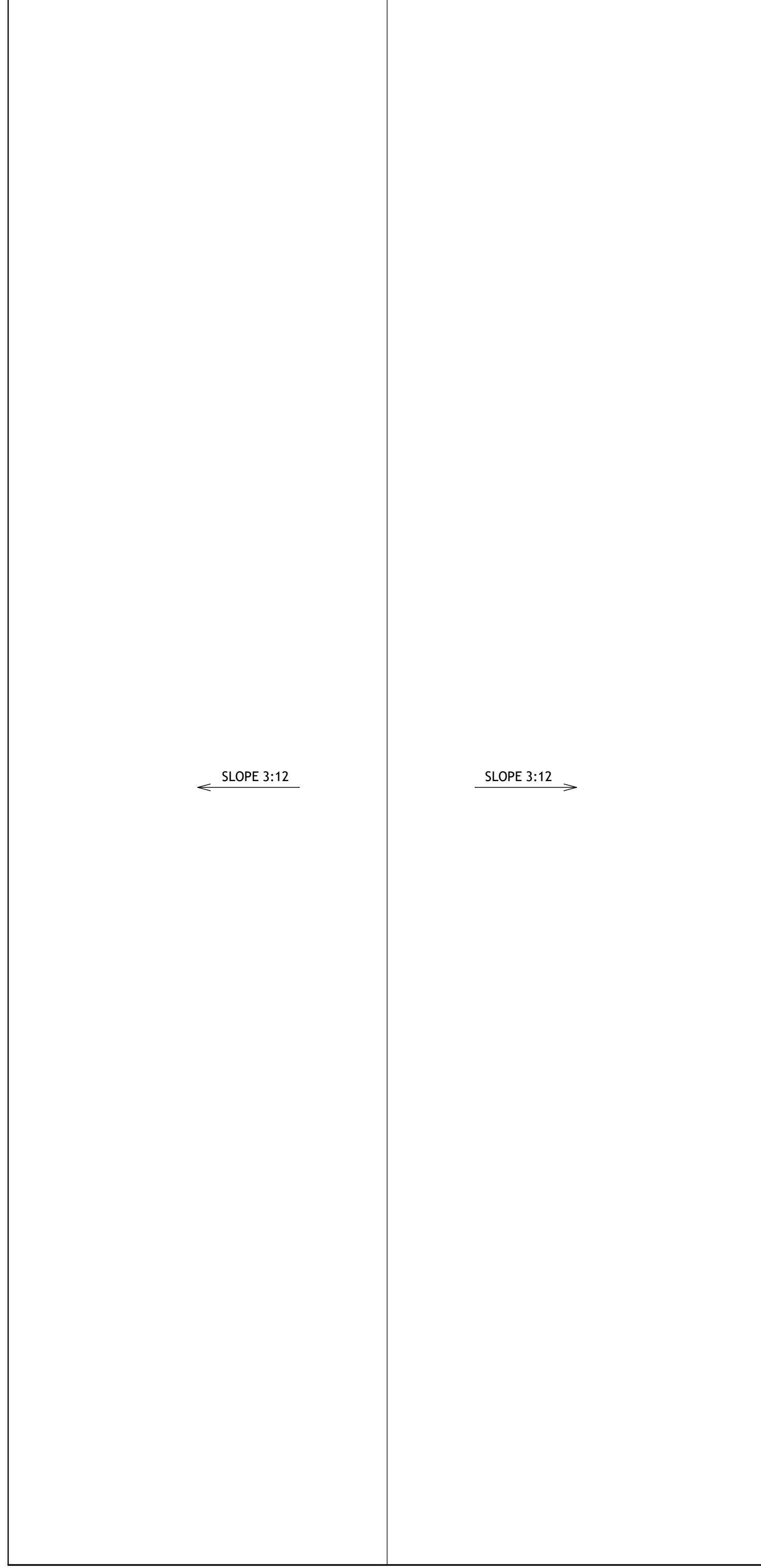
Brossett Architect, LLC • 414 Pujo St., Lake Charles, LA 70601

**BEAUREGARD PUBLIC LIBRARY
WYE BRANCH**
HIGHWAY 26
DRY CREEK, LOUISIANA 70637
FLOOR PLAN

SHEET NO.
A2.1
ARCH #Z1025 BA

VER.	DATE	DESCRIPTION
0	01/17/2022	BID DOCUMENTS

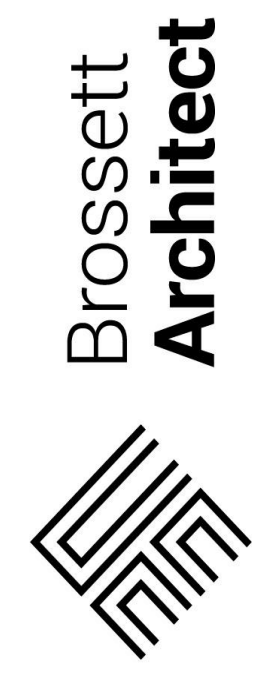
© COPYRIGHT 2022,
Brossett Architect, LLC
All Rights Reserved.
This document shall not be
copied or reproduced
without written permission.



VER.	DATE	DESCRIPTION
0	01/17/2022	BID DOCUMENTS

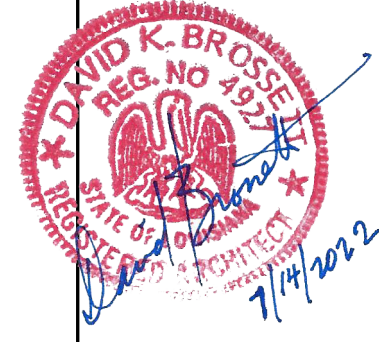
SHEET NO.
A2.2
ARCH #Z1025 BA

BEAUREGARD PUBLIC LIBRARY
WYE BRANCH
HIGHWAY 26
DRY CREEK, LOUISIANA 70637
ROOF PLAN



Brossett
Architect

Brossett Architect, LLC · 414 Pujo St., Lake Charles, LA 70601



DOOR SCHEDULE							
DOOR #	WIDTH	HEIGHT	DOOR TYPE	FRAME TYPE	FIRE RATING	HARDWARE SETS	COMMENTS
101	3'-0"	7'-0"	A	AA		1	
102	3'-0"	7'-0"	A	AA		1	
103	3'-0"	7'-0"	A	AA		5	
104A	3'-0"	7'-0"	A	AA		4	
104B	3'-0"	7'-0"	A	AA		4	
105A	3'-0"	7'-0"	B	BB		2	
105B	3'-0"	7'-0"	B	BB		2	
106	3'-0"	7'-0"	A	AA		3	

HARDWARE SET '1'

NO.	EA/PR	HARDWARE	MODEL	FINISH	MFR
1 1/2	EA	HINGE	BB1168 X 4 1/2 X 4 1/2	626	HAGER
1	EA	LOCKSET	CL3520 X NZD	626	CORBIN RUSSWIN
1	EA	CLOSER	4040XP	626	LCN
1	EA	WALL STOP	409	626	ROCKWOOD
1	EA	SILENCER	608	GRY	ROCKWOOD

HARDWARE SET '2'

NO.	EA/PR	HARDWARE	MODEL	FINISH	MFR
1 1/2	PR	HINGE	BB1168 X 4 1/2 X 4 1/2 X NRP	626	HAGER
1	EA	EXIT DEVICE	ED52005 X H957	626	CORBIN RUSSWIN
1	EA	CLOSER	4040XP X EDA	626	LCN
1	EA	THRESHHOLD	2005_T	A	PEWKO
1	EA	WEATHERSTRIPPING	S44	BL	PEWKO
1	EA	DOOR SWEEP	3452_NB	C	PEWKO
1	EA	ACCESS CONTROL HDWE	KTP-102-SN (WITH SP-1000X, PSI AS NEEDED)		ESSEX ELECTRONICS
1	EA	ELEC KEYSTRIP/ MAG LK	310-4-F-24V	630	FOLGER ADAM

HARDWARE SET '3'

NO.	EA/PR	HARDWARE	MODEL	FINISH	MFR
1 1/2	PR	HINGE	BB1168 X 4 1/2 X 4 1/2	626	HAGER
1	EA	LOCKSET	CL3551 X NZD	626	CORBIN RUSSWIN
1	EA	CLOSER	4040XP	626	LCN
1	EA	WALL STOP	409	626	ROCKWOOD
1	EA	SILENCER	608	GRY	ROCKWOOD

HARDWARE SET '4'

NO.	EA/PR	HARDWARE	MODEL	FINISH	MFR
1 1/2	PR	HINGE	BB1168 X 4 1/2 X 4 1/2	626	HAGER
1	EA	LOCKSET	CL3555 X NZD	626	CORBIN RUSSWIN
1	EA	WALL STOP	409	626	ROCKWOOD
1	EA	SILENCER	608	GRY	ROCKWOOD

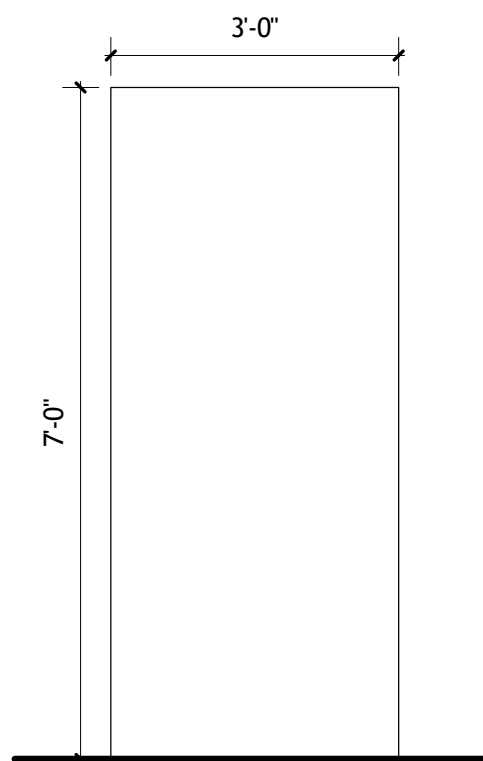
HARDWARE SET '5'

NO.	EA/PR	HARDWARE	MODEL	FINISH	MFR
1 1/2	PR	HINGE	BB1168 X 4 1/2 X 4 1/2	626	HAGER
1	EA	LOCKSET	CL3510 X NZD	626	CORBIN RUSSWIN
1	EA	WALL STOP	409	626	ROCKWOOD
1	EA	SILENCER	608	GRY	ROCKWOOD

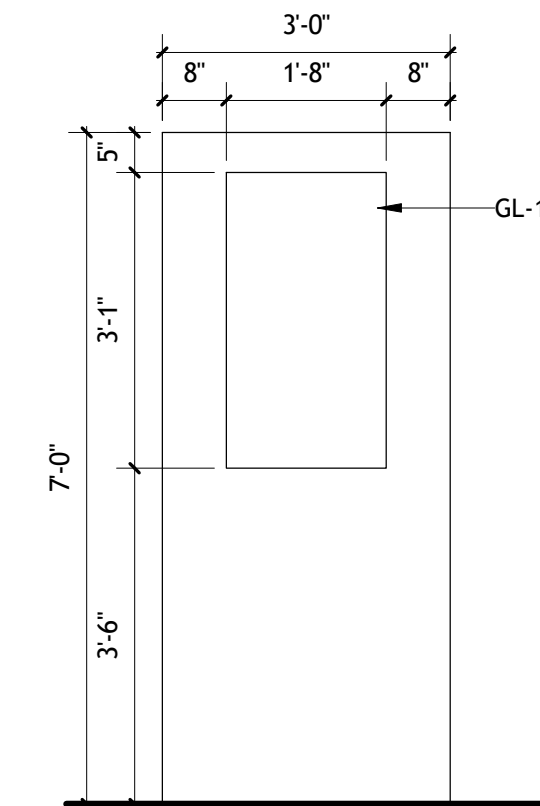
WINDOW SCHEDULE					
WINDOW #	WIDTH	HEIGHT	WINDOW TYPE	GLASS TYPE	COMMENTS
104	2'-0"	4'-0"	02	GL-2	
105A	2'-0"	4'-0"	02	GL-2	
105B	2'-0"	4'-0"	02	GL-2	
105C	2'-0"	4'-0"	02	GL-2	
105D	2'-0"	4'-0"	02	GL-2	
105F	5'-0"	3'-0"	01	GL-3	
106A	2'-0"	4'-0"	02	GL-2	
106B	2'-0"	4'-0"	02	GL-2	

1 DOOR TYPES

SCALE: 1/2" = 1'-0"



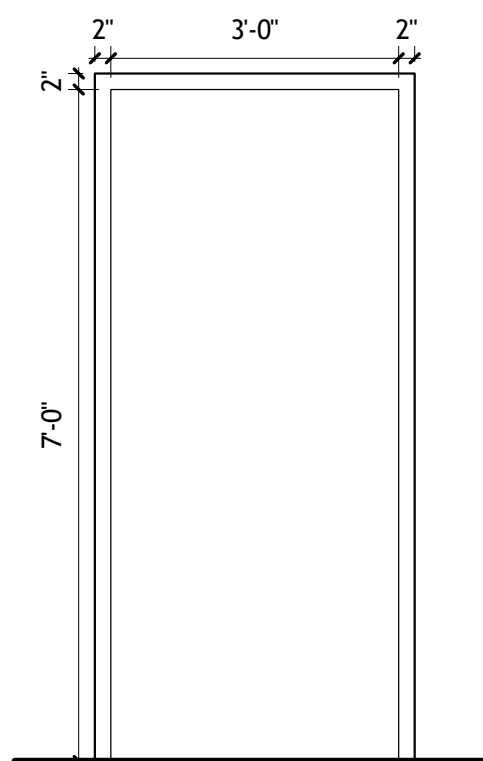
A
NEW INTERIOR SOLID CORE WOOD DOOR



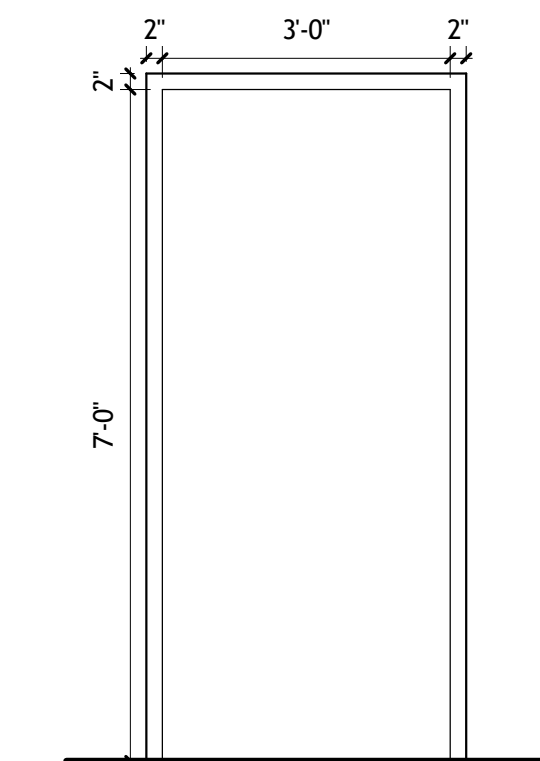
B
NEW EXTERIOR STEEL DOOR WITH LITE

2 FRAME TYPES

SCALE: 1/2" = 1'-0"



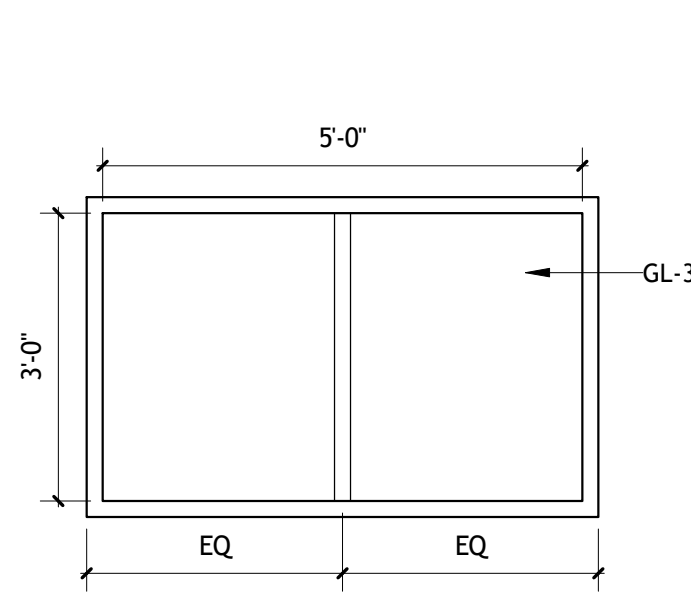
AA
NEW INTERIOR STEEL FRAME



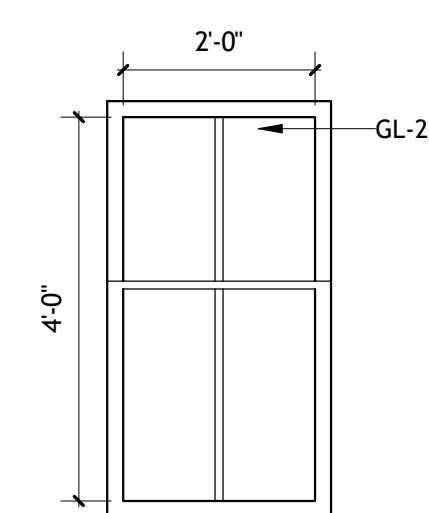
BB
NEW EXTERIOR STEEL FRAME

3 WINDOW TYPES

SCALE: 1/2" = 1'-0"



01
KAWNEER 400 SERIES
INTERIOR WINDOW



02
VERTICAL SINGLE HUNG
(LOW-E INSULATED GLAZING)

GLAZING TYPES

- GL-1 1/4" TEMPERED, TINTED, GLAZING
- GL-2 1" TINTED, INSULATED (1/4" EXT GLAZING, 1/2" AIR SPACE, 1/4" INT GLAZING)
- GL-3 1/4" TEMPERED, CLEAR GLAZING



**Brossett
Architect**



Brossett Architect, LLC • 414 Pujo St., Lake Charles, LA 70601

BEAUREGARD PUBLIC LIBRARY

WYE BRANCH

HIGHWAY 26
DRY CREEK, LOUISIANA 70637

DOOR AND WINDOW TYPES

SHEET NO.
A2.3

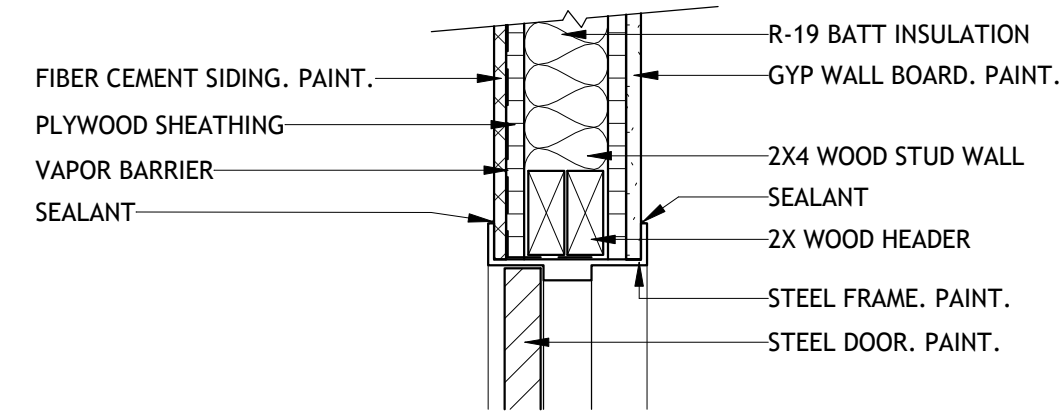
ARCH #21025 BA

DESCRIPTION	DATE	VER.
DESCRIPTION	DATE	VER.
BID DOCUMENTS	01/17/2022	0

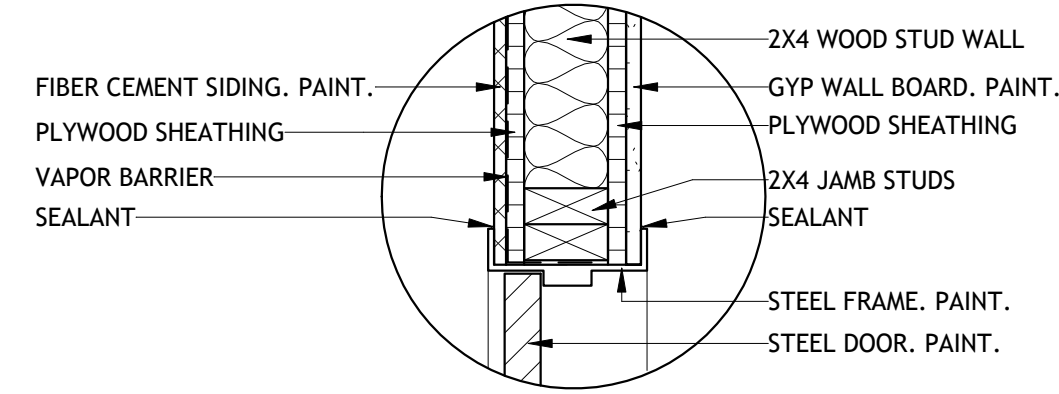
© COPYRIGHT 2022,
Brossett Architect, LLC
All Rights Reserved.
This document shall not be
copied or reproduced
without written permission.

1 EXT DOOR
SCALE: 1 1/2" = 1'-0"

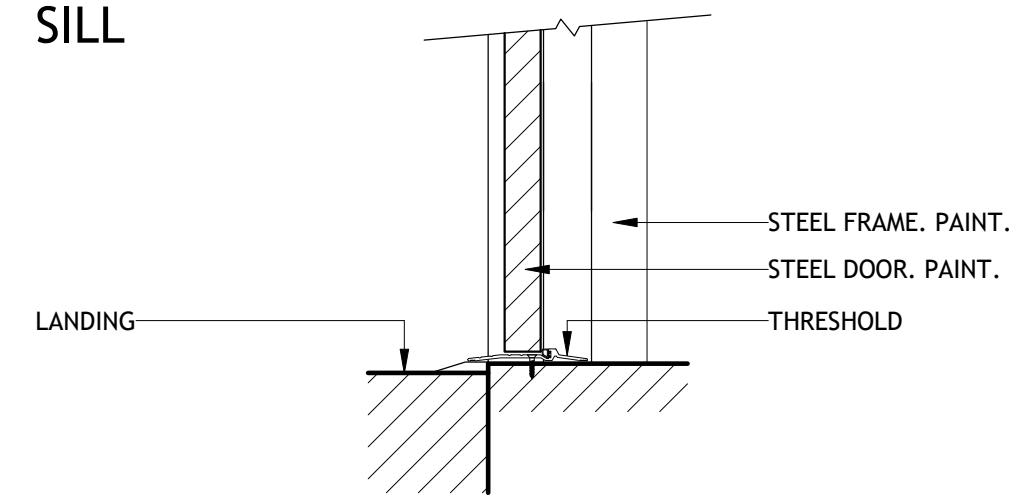
HEAD



JAMB

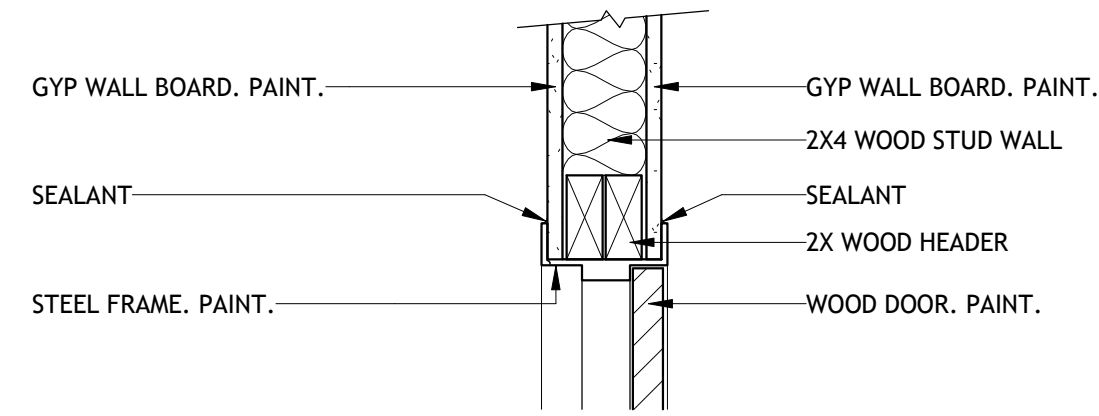


SILL

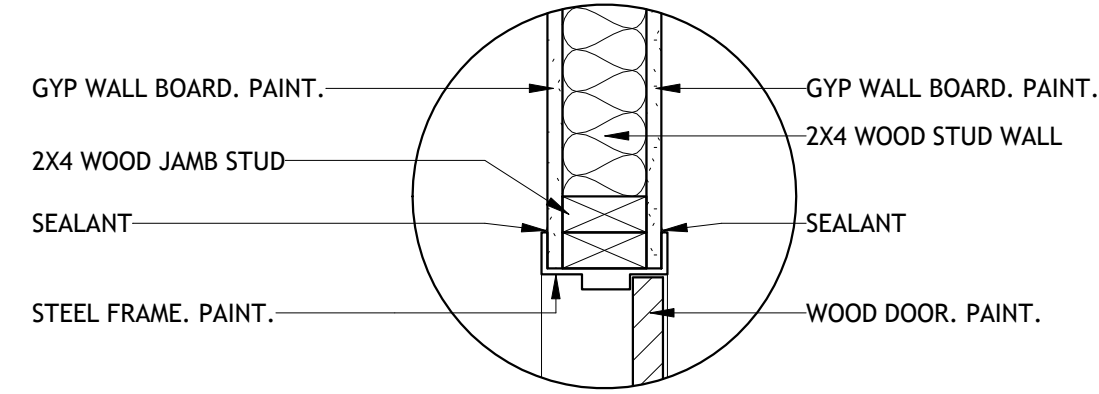


2 INT DOOR
SCALE: 1 1/2" = 1'-0"

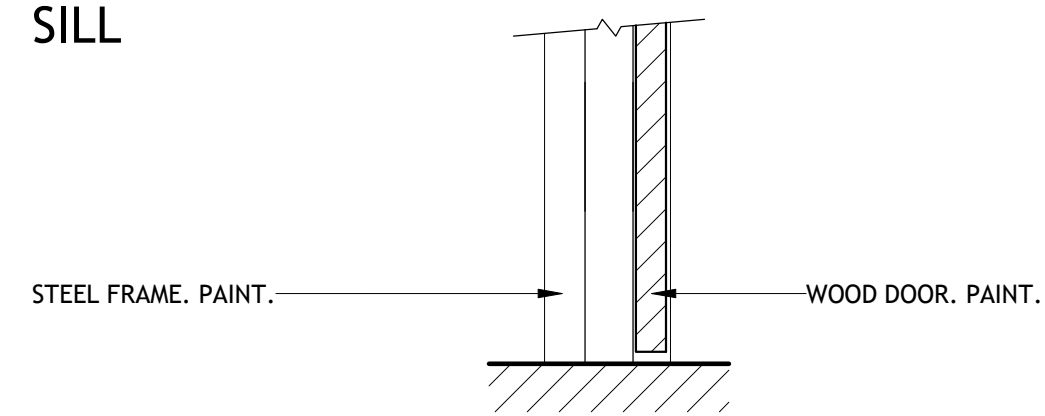
HEAD



JAMB

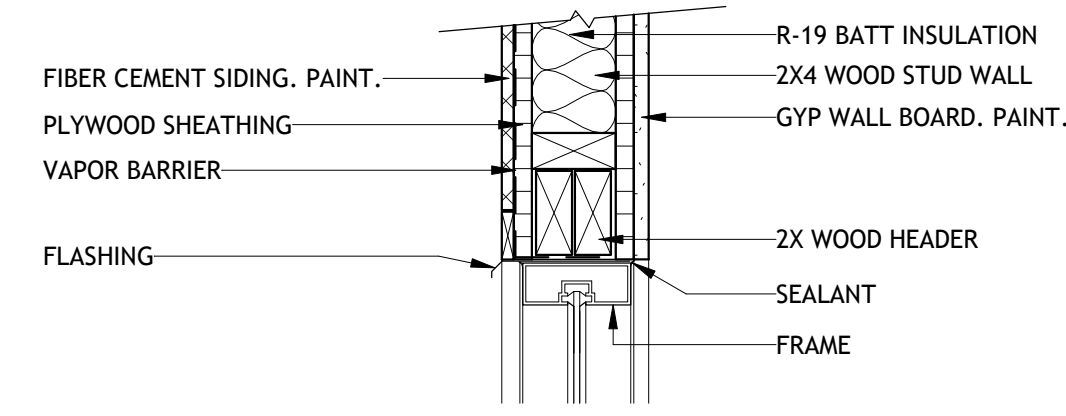


SILL

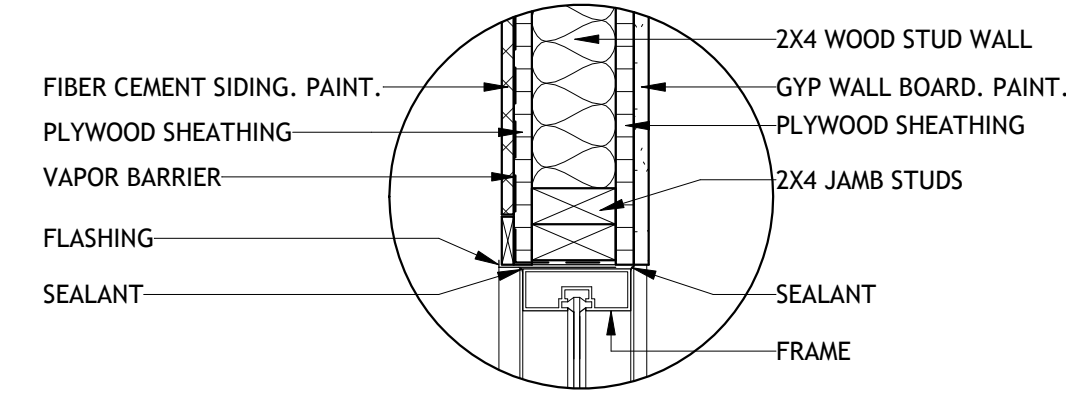


3 EXT WINDOW
SCALE: 1 1/2" = 1'-0"

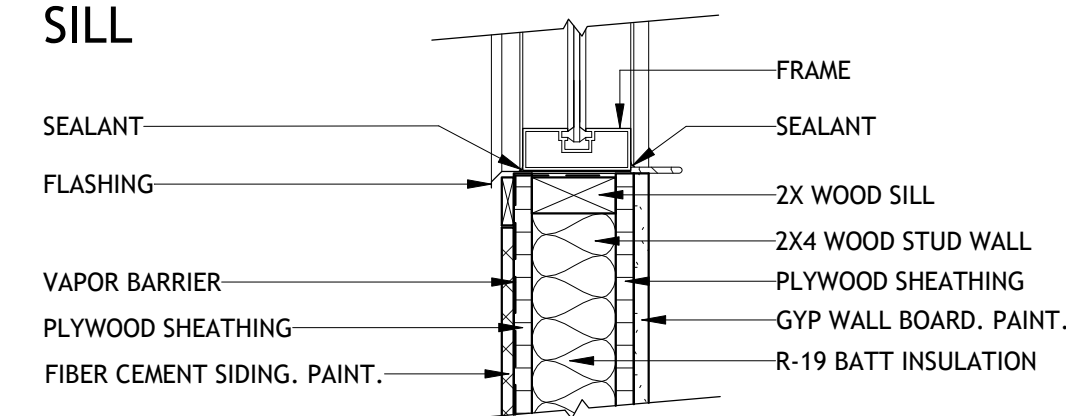
HEAD



JAMB

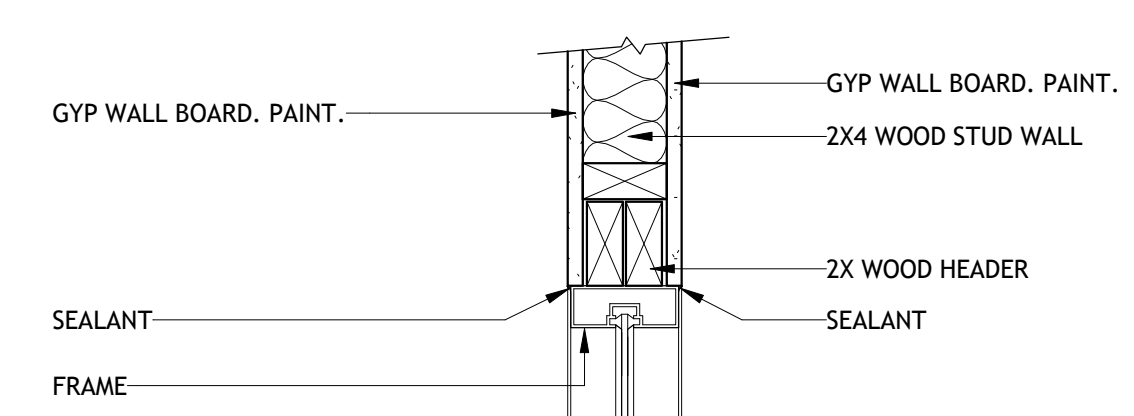


SILL

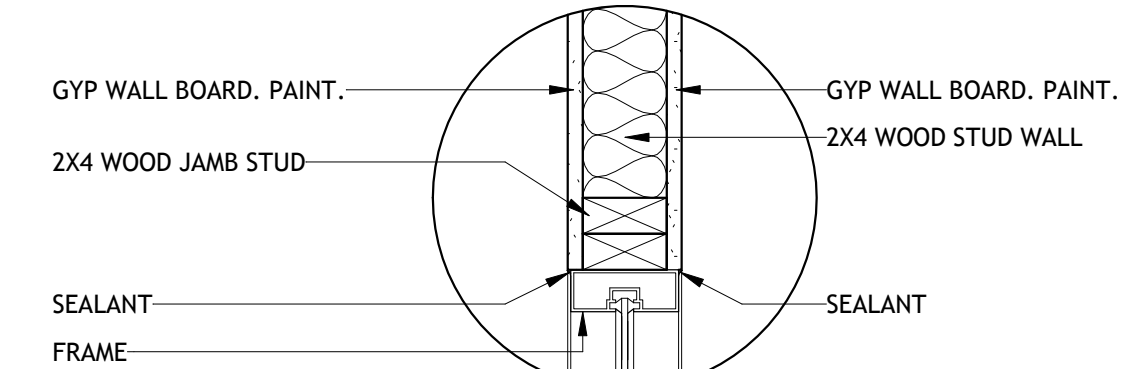


4 INT WINDOW
SCALE: 1 1/2" = 1'-0"

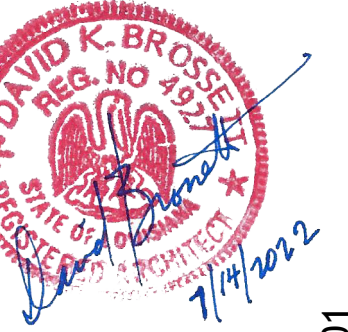
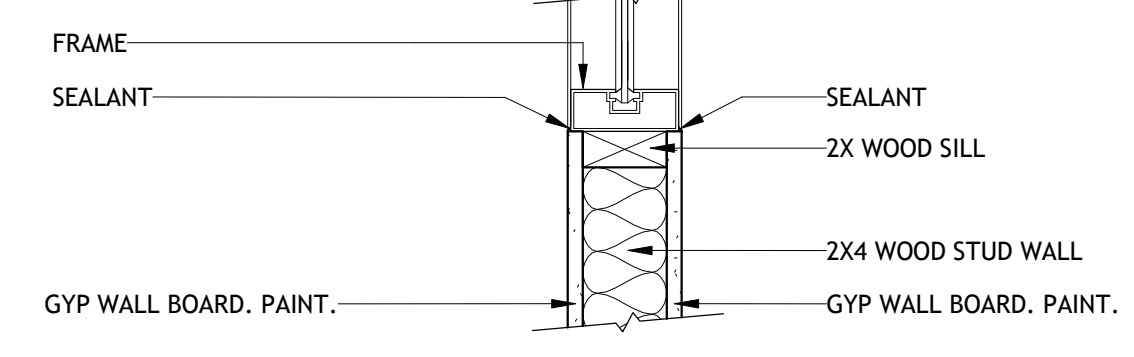
HEAD



JAMB



SILL



**Brossett
Architect**



Brossett Architect, LLC • 414 Pujo St., Lake Charles, LA 70601

BEAUREGARD PUBLIC LIBRARY
WYE BRANCH

HIGHWAY 26
DRY CREEK, LOUISIANA 70637

DOOR AND WINDOW DETAILS

SHEET NO.
A2.4

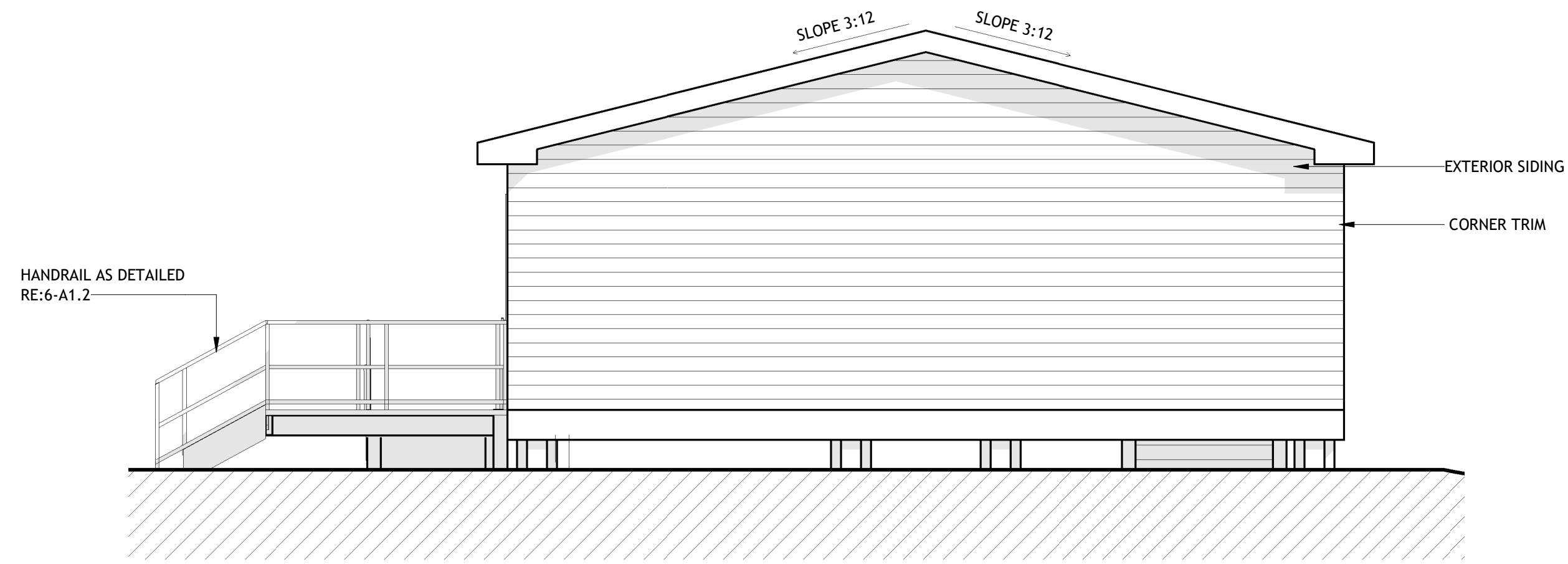
ARCH #Z1025 BA

VER.	DATE	DESCRIPTION
0	01/17/2022	BID DOCUMENTS

© COPYRIGHT 2022,
Brossett Architect, LLC
All Rights Reserved.
This document shall not be
copied or reproduced
without written permission.

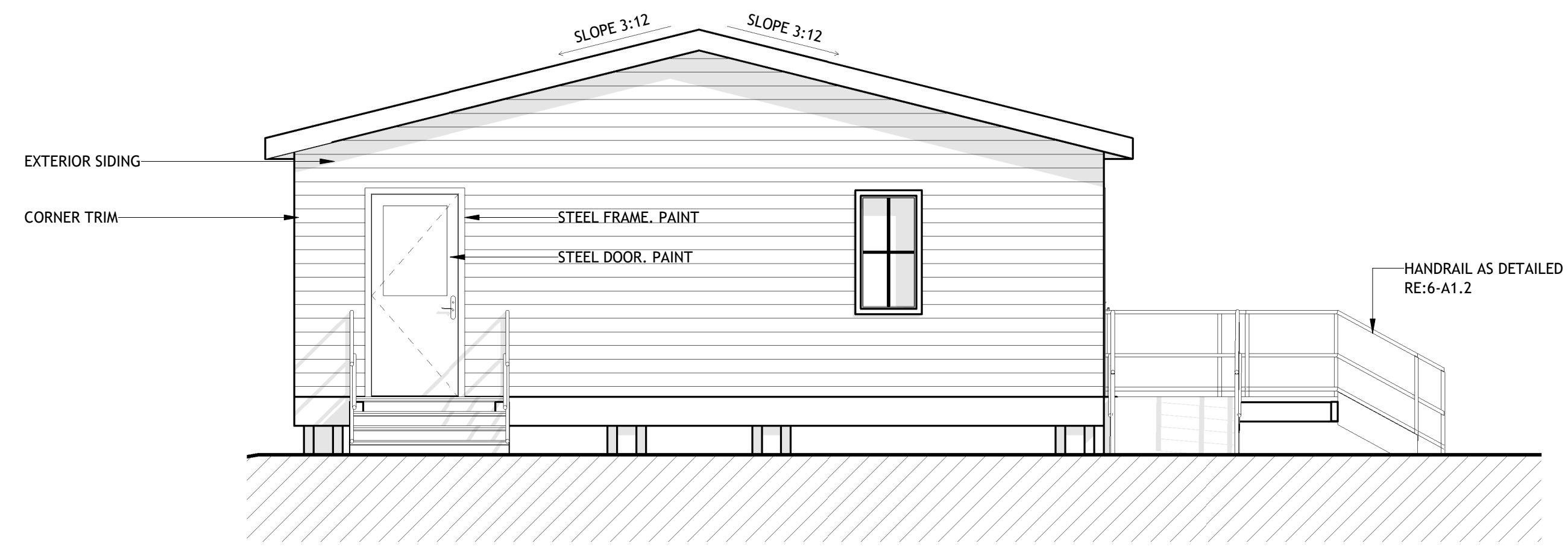
1 EXTERIOR ELEVATION - NORTH

SCALE: 1/4" = 1'-0"



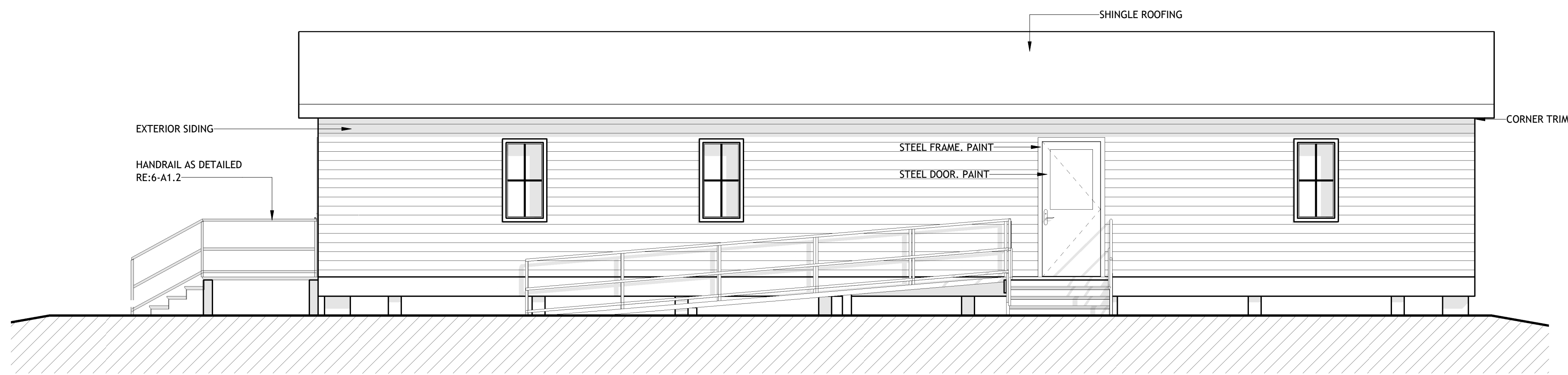
2 EXTERIOR ELEVATION - SOUTH

SCALE: 1/4" = 1'-0"



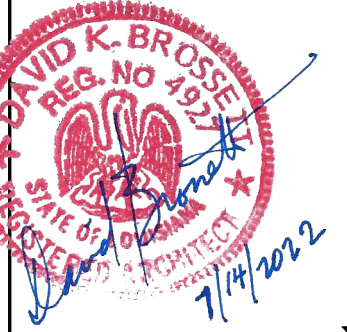
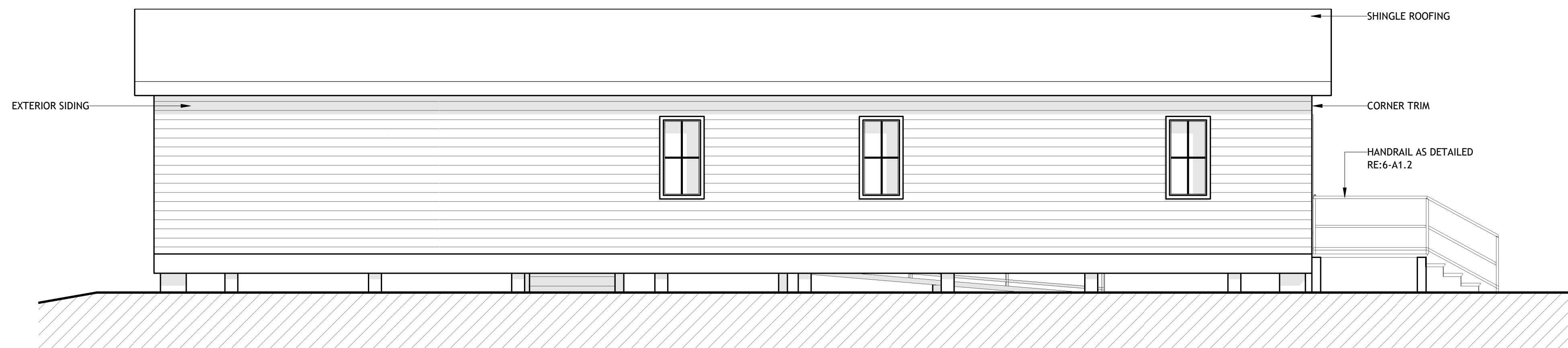
3 EXTERIOR ELEVATION - EAST

SCALE: 1/4" = 1'-0"



4 EXTERIOR ELEVATION - WEST

SCALE: 1/4" = 1'-0"



**Brossett
Architect**



Brossett Architect, LLC • 414 Pujo St., Lake Charles, LA 70601

**BEAUREGARD PUBLIC LIBRARY
WYE BRANCH**

HIGHWAY 26
DRY CREEK, LOUISIANA 70637
EXTERIOR ELEVATIONS

SHEET NO.
A3.1

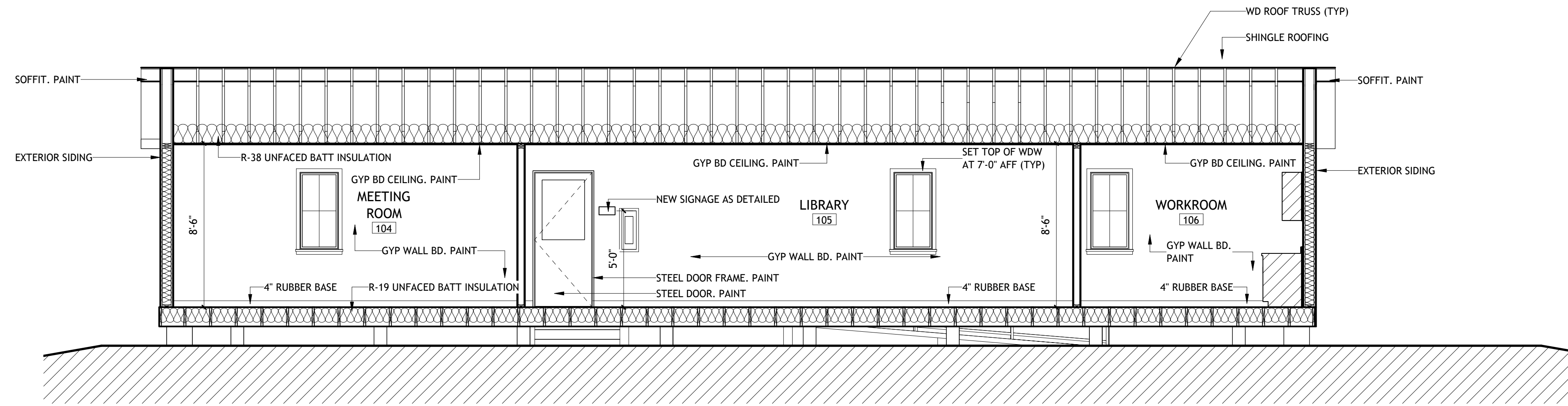
ARCH #21025 BA

VER.	DATE	DESCRIPTION
0	01/17/2022	BID DOCUMENTS

© COPYRIGHT 2022,
Brossett Architect, LLC
All Rights Reserved.
This document shall not be
copied or reproduced
without written permission.

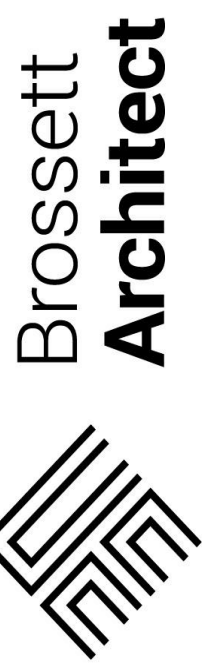
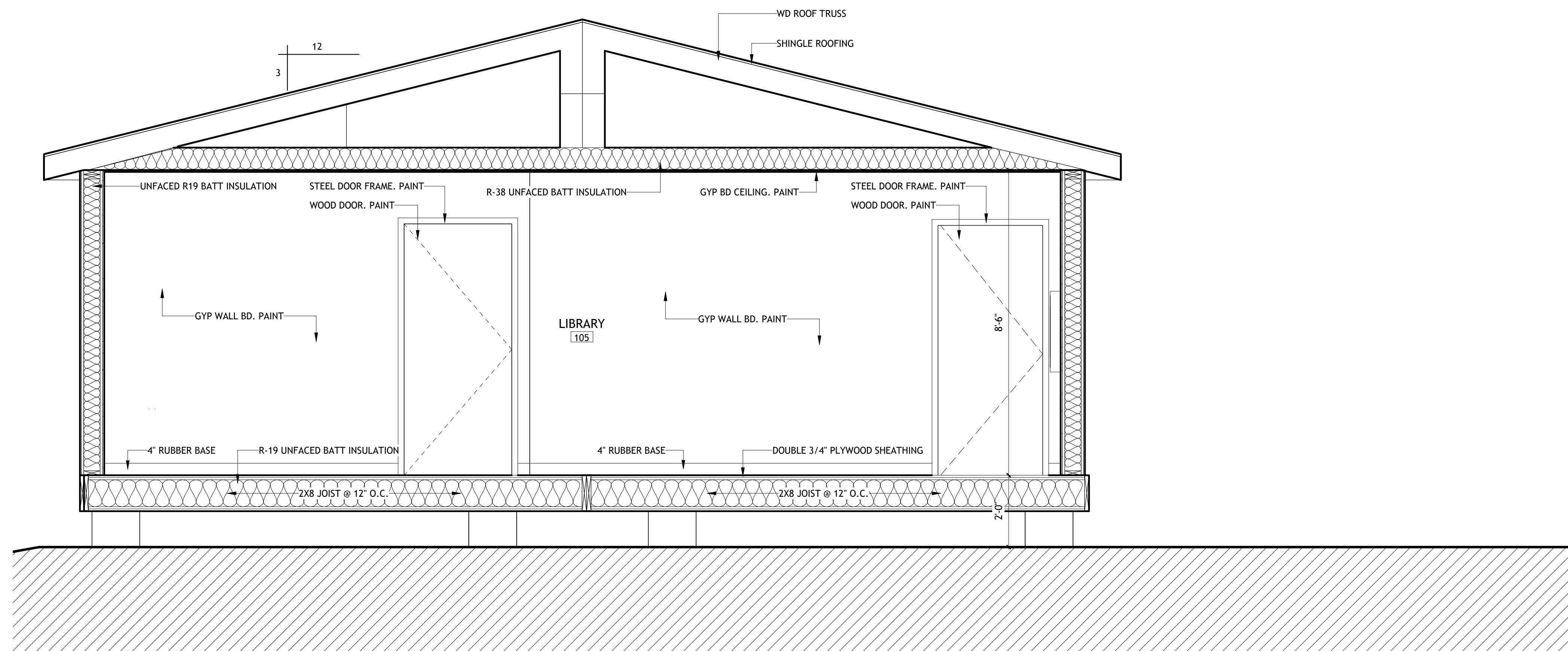
1 BUILDING SECTION 1

SCALE: 1/4" = 1'-0"



2 BUILDING SECTION 2

SCALE: 1/2" = 1'-0"



**Brossett
Architect**
Brossett Architect, LLC • 414 Pujo St., Lake Charles, LA 70601

**BEAUREGARD PUBLIC LIBRARY
WYE BRANCH**
HIGHWAY 26
DRY CREEK, LOUISIANA 70637
BUILDING SECTIONS

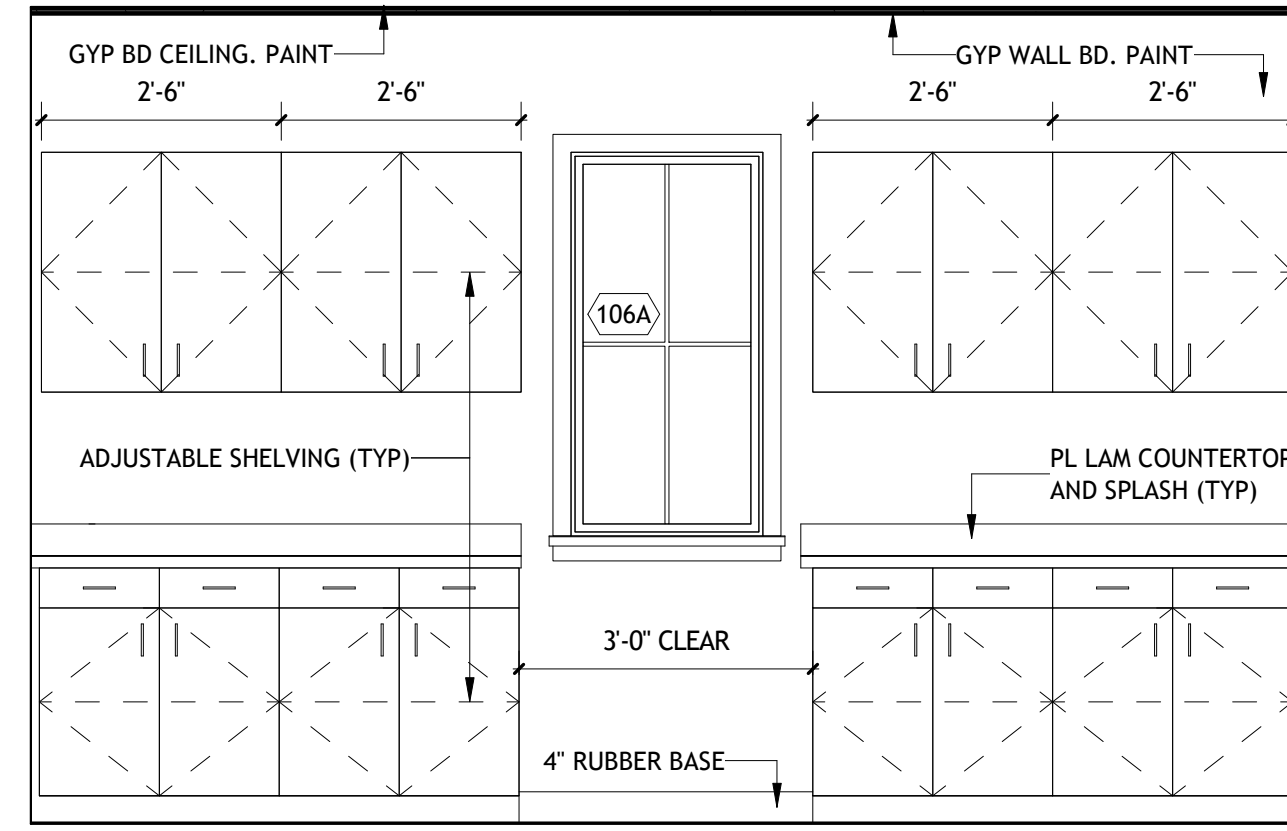
SHEET NO.
A3.2
ARCH #21025 BA

VER.	DATE	DESCRIPTION
0	01/17/2022	BID DOCUMENTS

© COPYRIGHT 2022,
Brossett Architect, LLC
All Rights Reserved.
This document shall not be
copied or reproduced
without written permission.

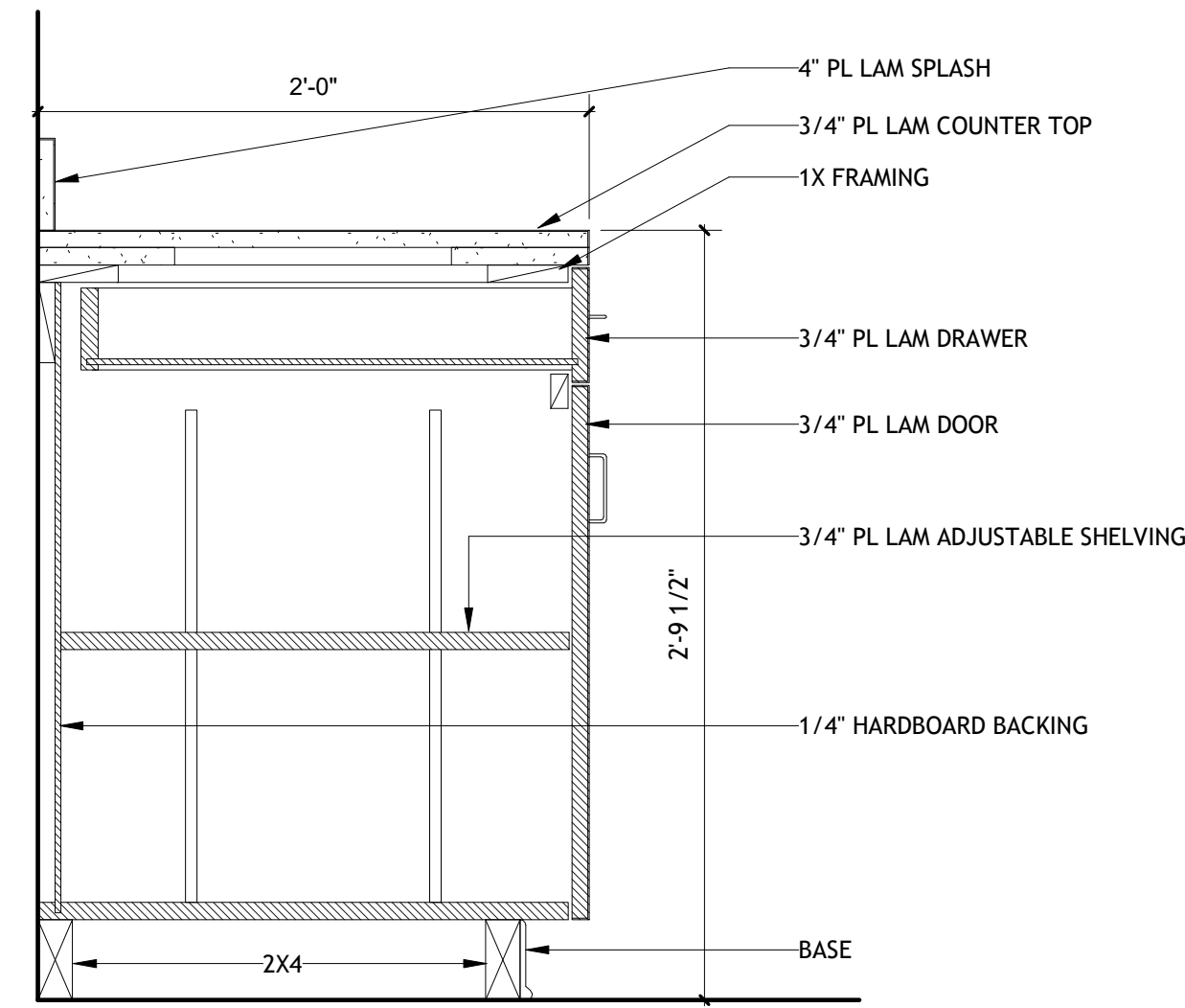
1 INTERIOR ELEVATION - WORKROOM 106

SCALE: 1/2" = 1'-0"



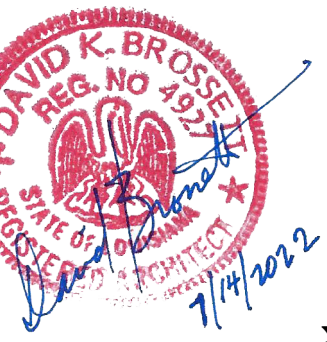
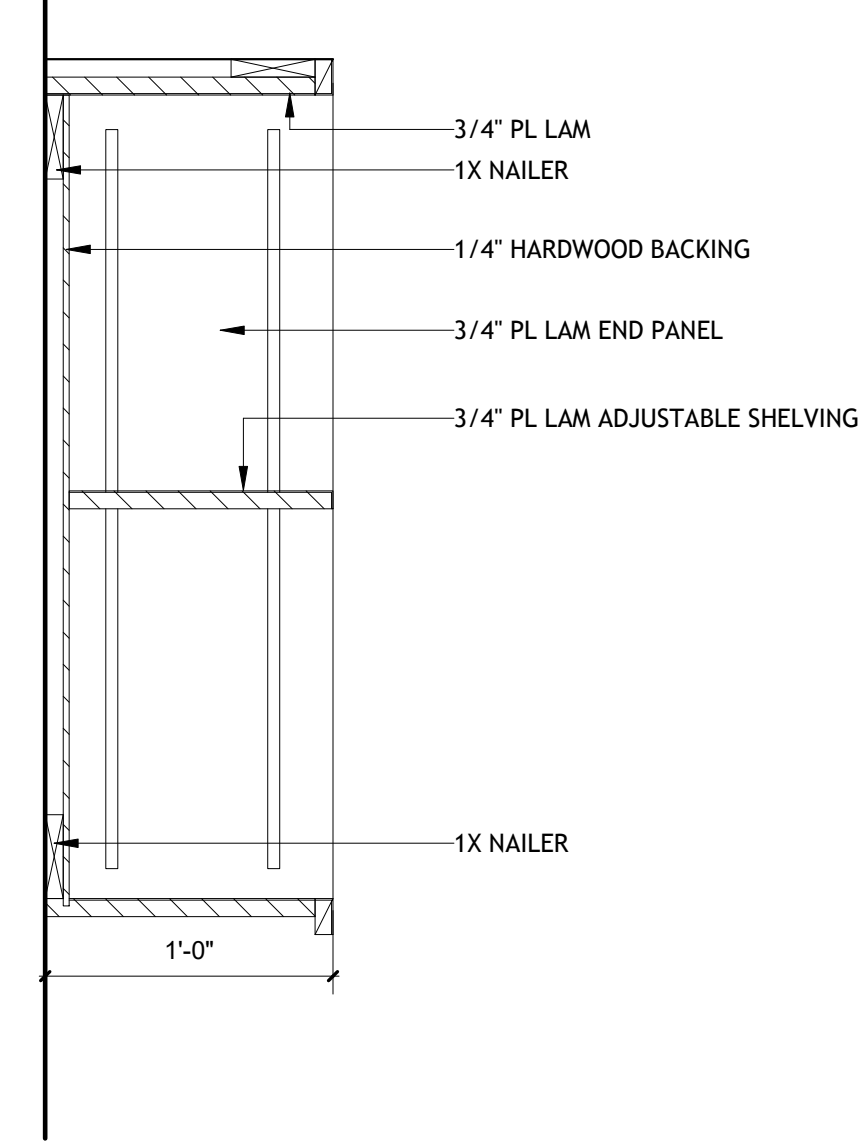
2 MILLWORK LOWER CABINET

SCALE: 1 1/2" = 1'-0"



3 MILLWORK UPPER CABINET

SCALE: 1 1/2" = 1'-0"



**Brossett
Architect**



Brossett Architect, LLC · 414 Pujoe St., Lake Charles, LA 70601

BEAUREGARD PUBLIC LIBRARY
WYE BRANCH

HIGHWAY 26
DRY CREEK, LOUISIANA 70637
MILLWORK DETAILS

SHEET NO.
A4.1

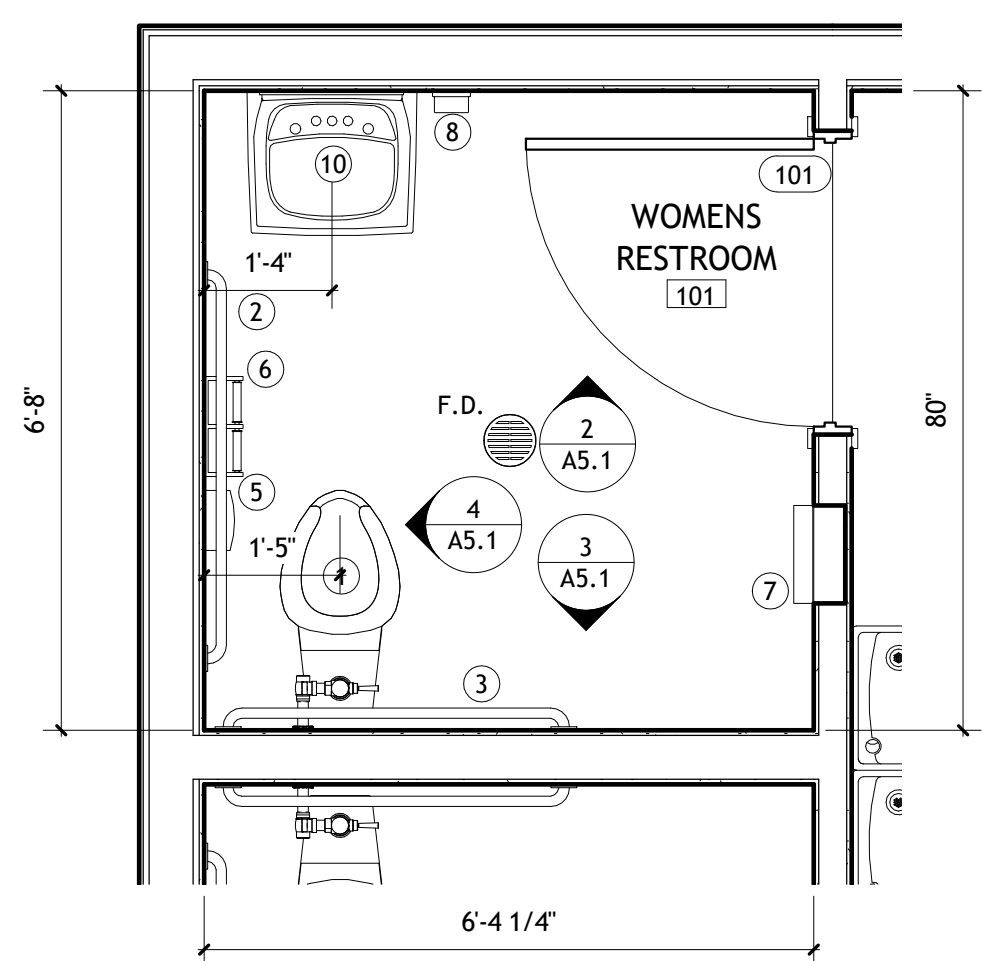
ARCH #Z1025 BA

VER.	DATE	DESCRIPTION
0	01/17/2022	BID DOCUMENTS

© COPYRIGHT 2022,
Brossett Architect, LLC
All Rights Reserved.
This document shall not be
copied or reproduced
without written permission.

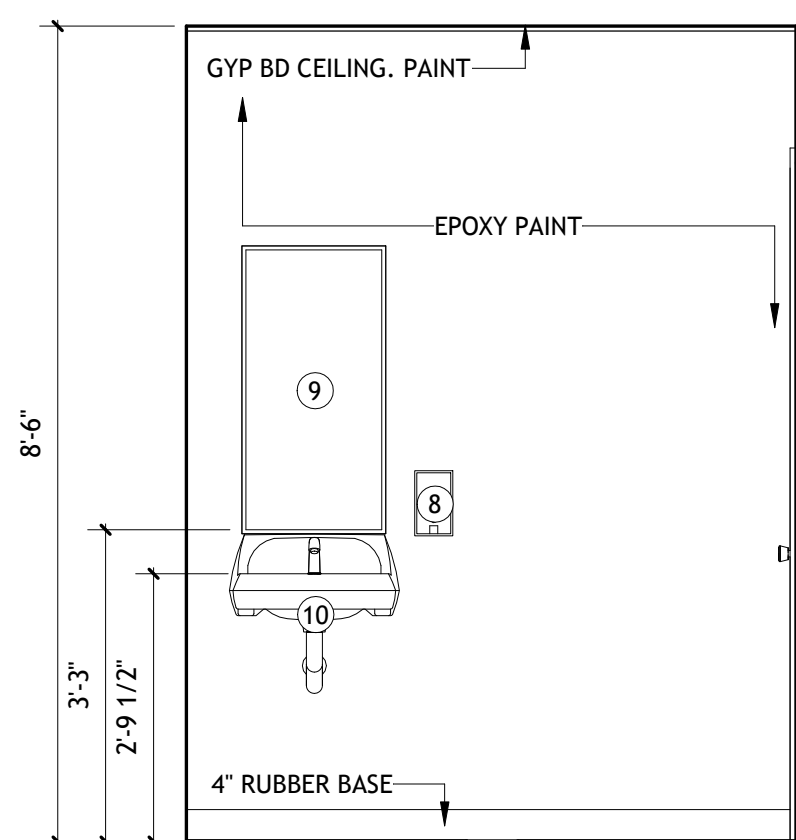
1 ENLARGED RESTROOM PLAN - WOMEN

SCALE: 1/2" = 1'-0"



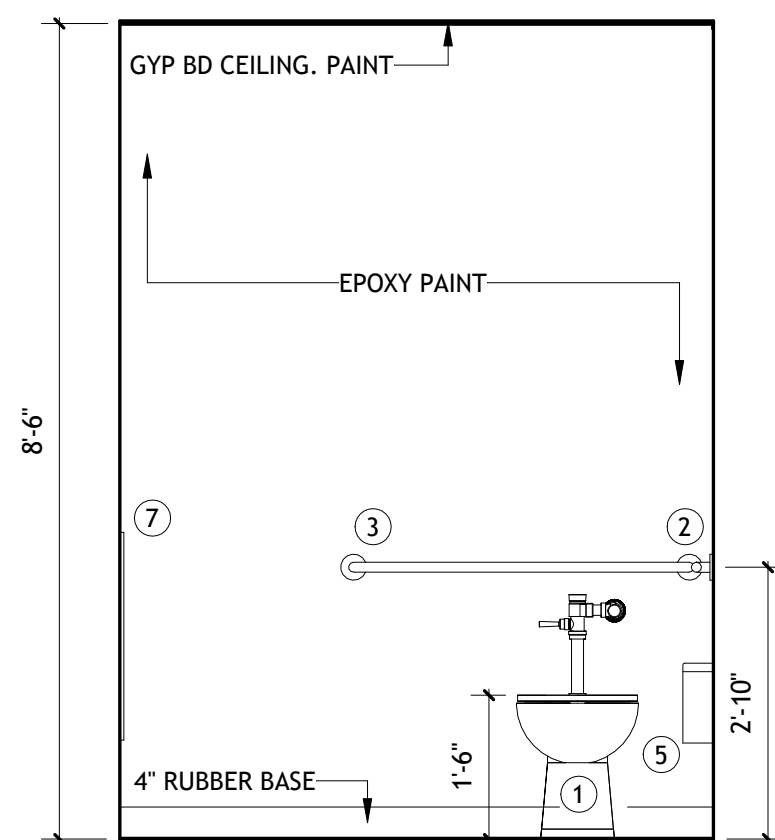
2 INT WOMEN'S RR ELEVATION- NORTH

SCALE: 1/2" = 1'-0"



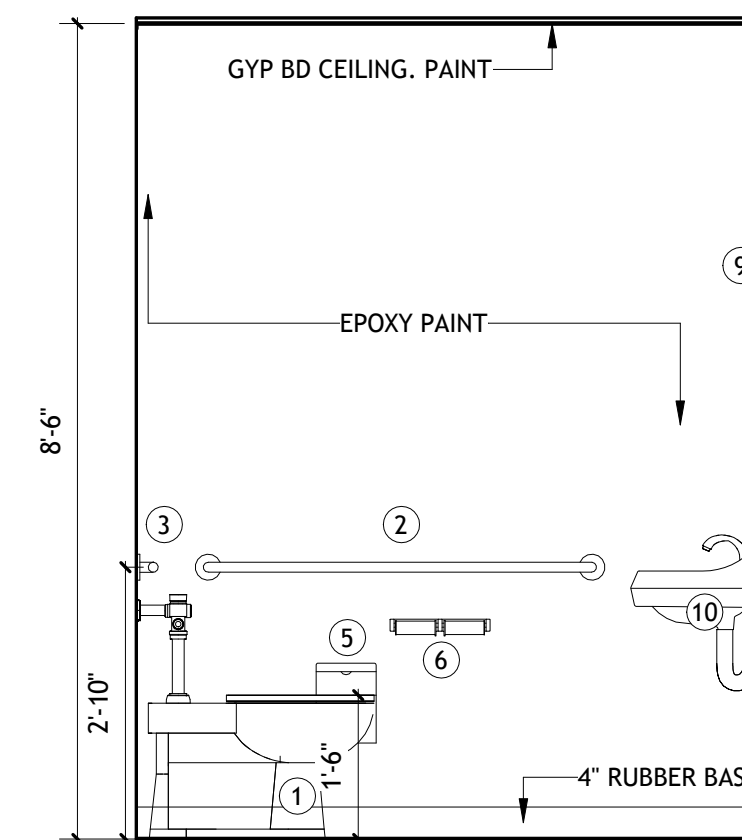
3 INT WOMEN'S RR ELEVATION - SOUTH

SCALE: 1/2" = 1'-0"



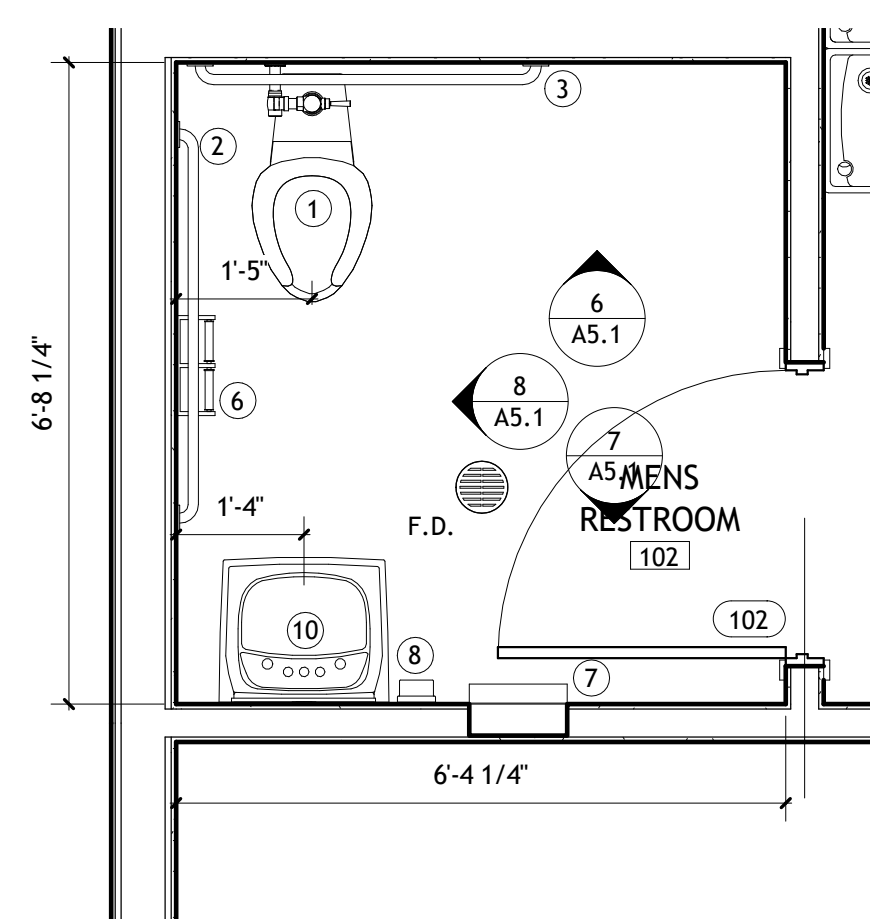
4 INT WOMEN'S RR ELEVATION - WEST

SCALE: 1/2" = 1'-0"



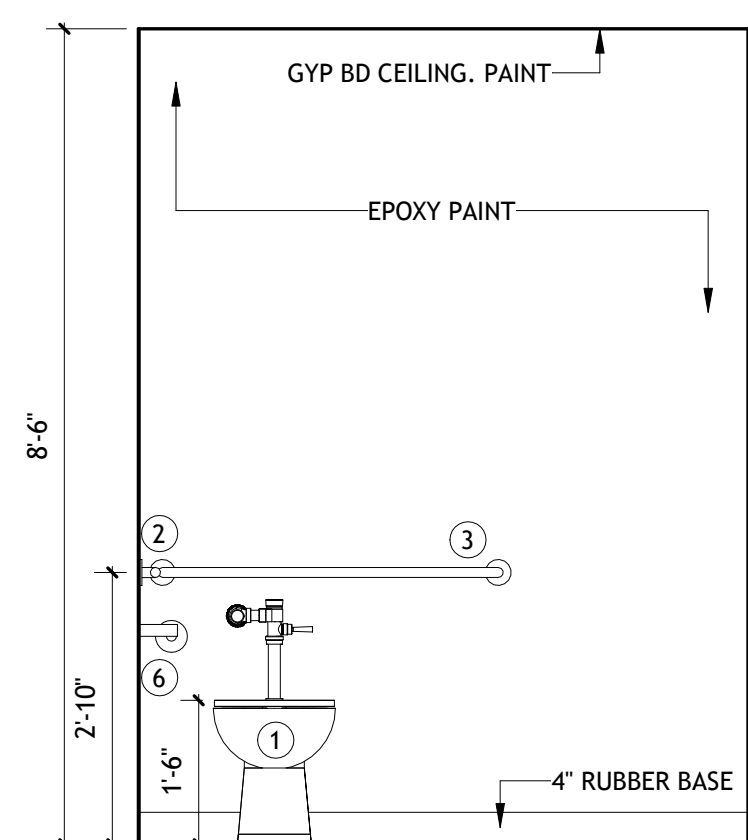
5 ENLARGED RESTROOM PLAN - MEN

SCALE: 1/2" = 1'-0"



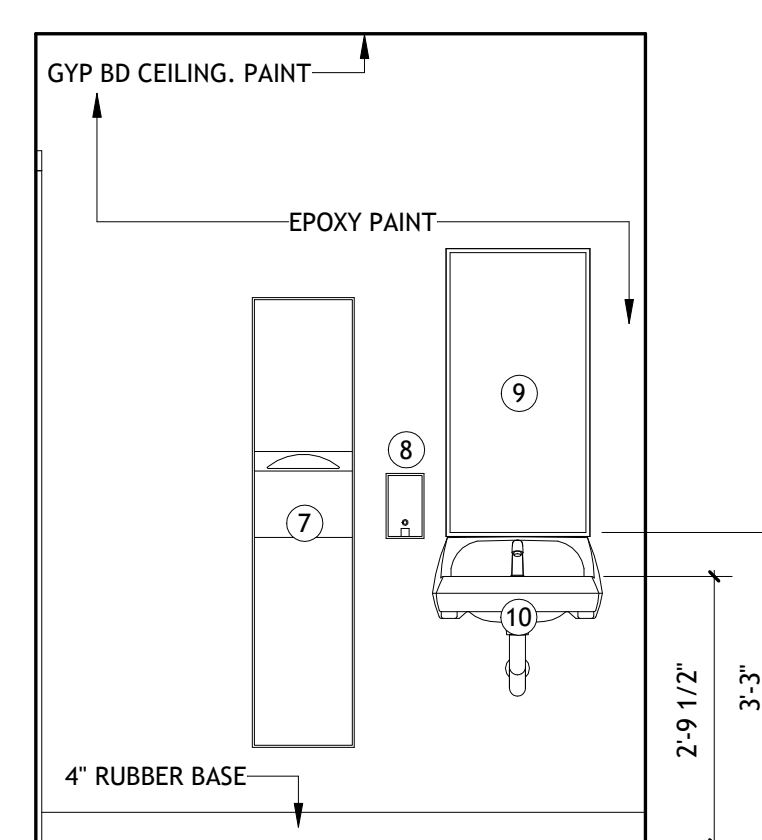
6 INT MEN'S RR ELEVATION - NORTH

SCALE: 1/2" = 1'-0"



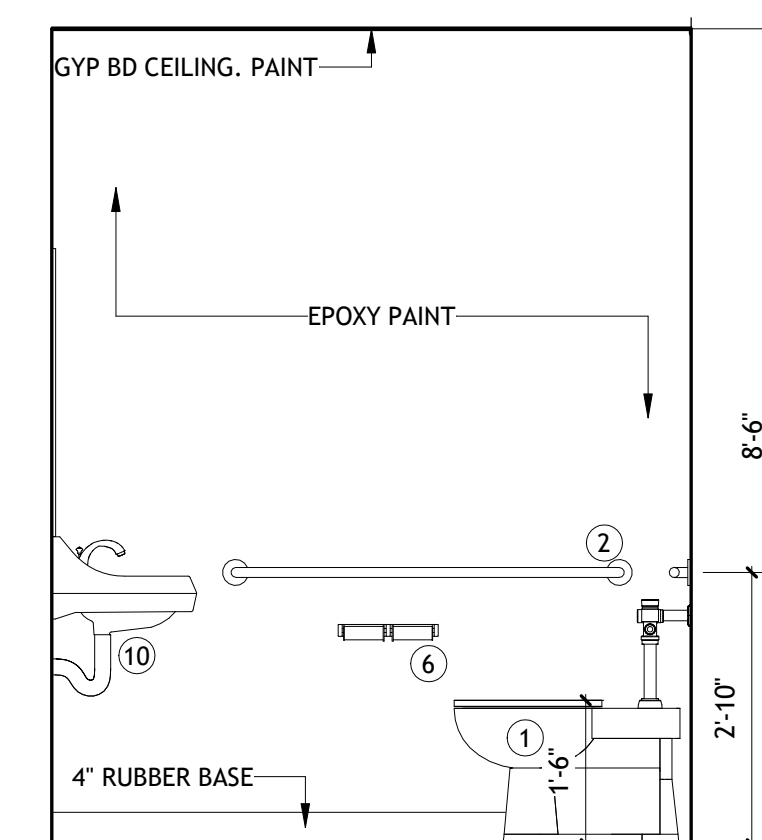
7 INT MEN'S RR ELEVATION- SOUTH

SCALE: 1/2" = 1'-0"



8 INT MEN'S RR ELEVATION - WEST

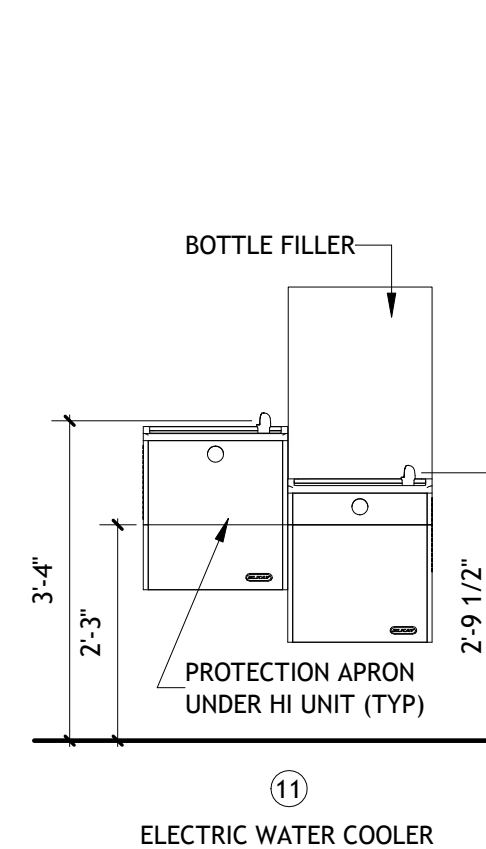
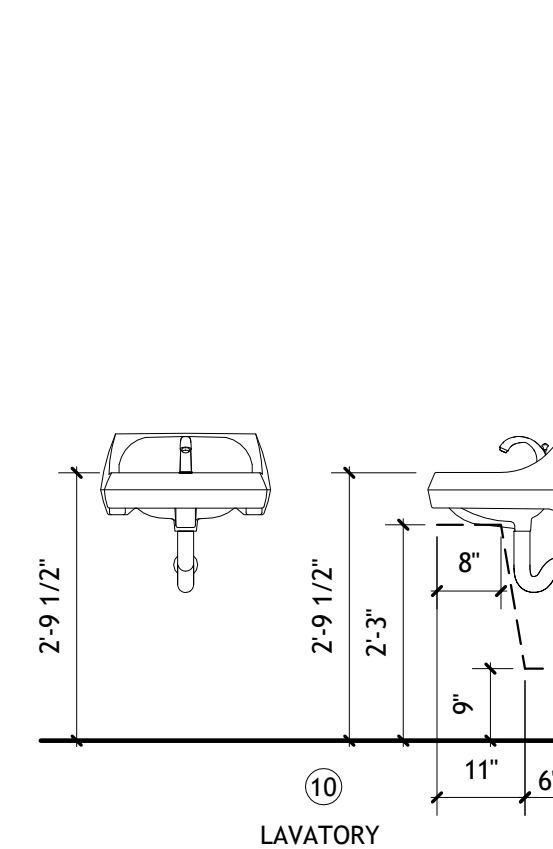
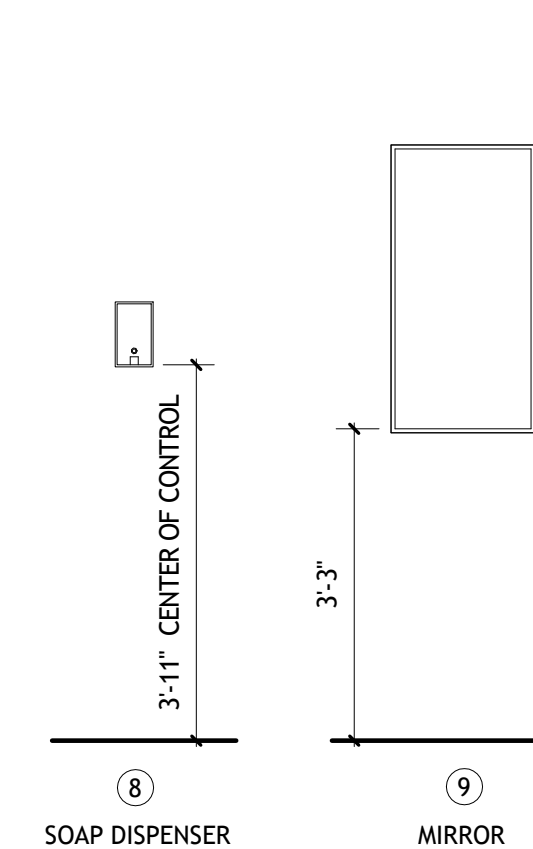
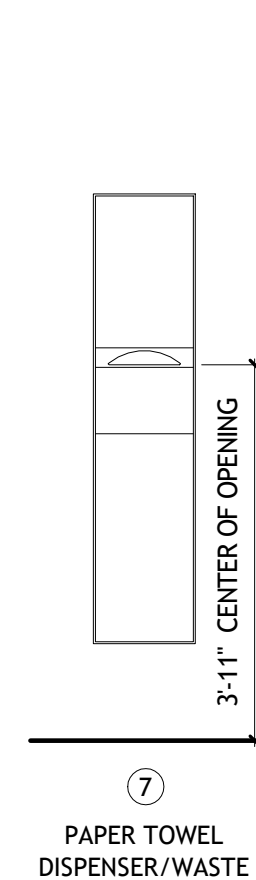
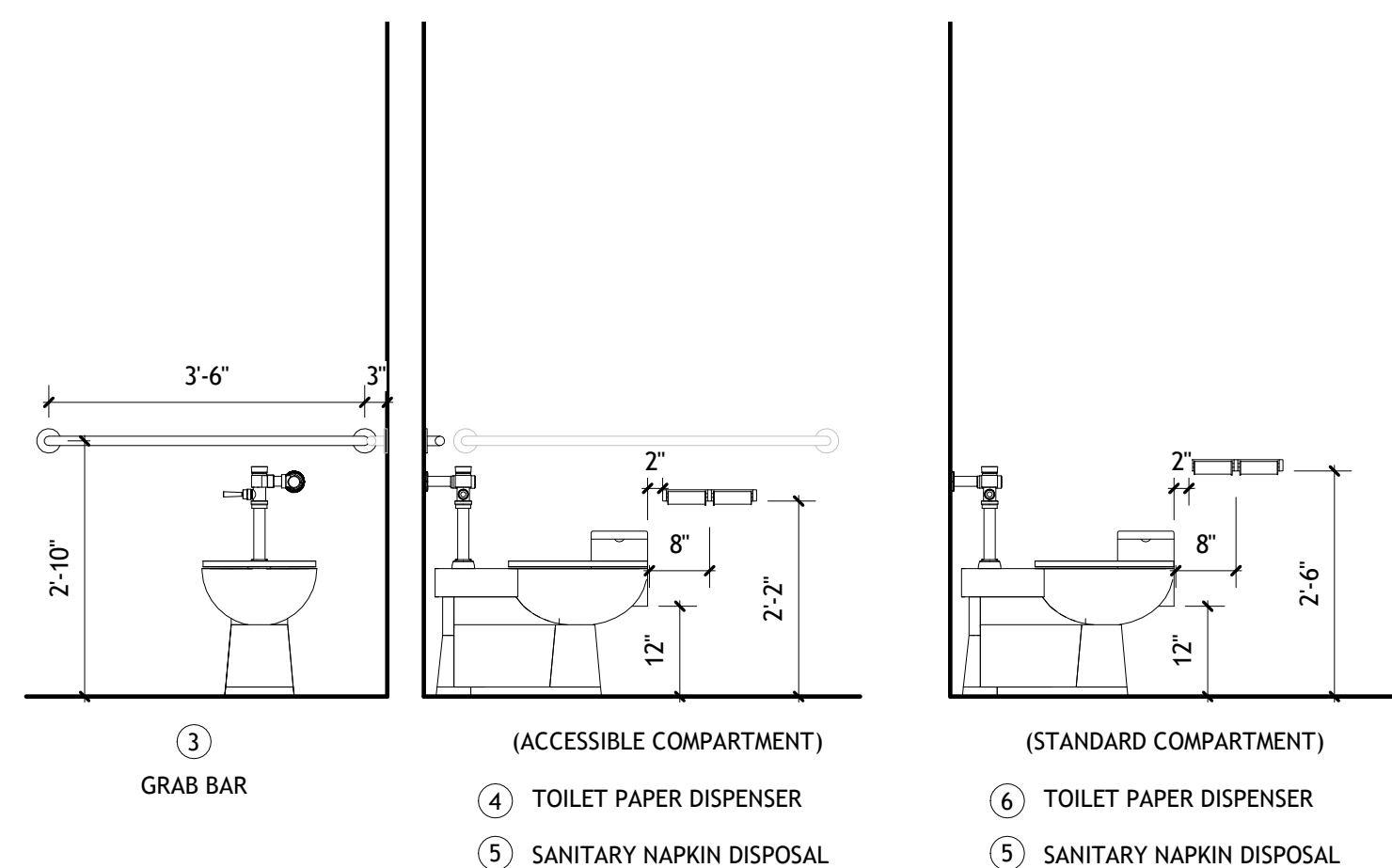
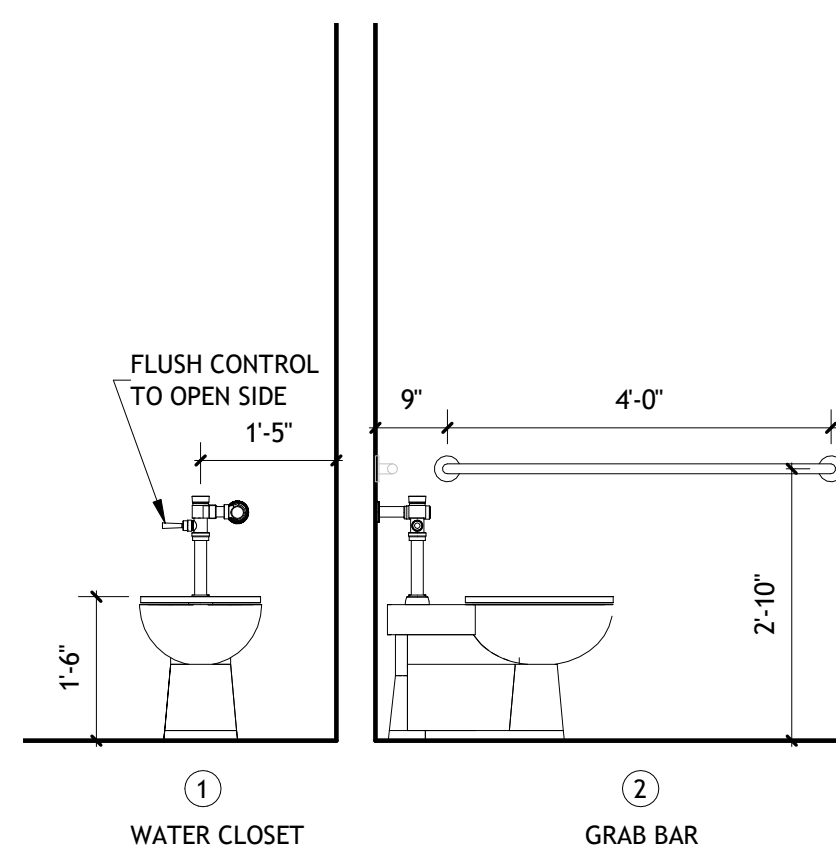
SCALE: 1/2" = 1'-0"



9 PLUMBING FIXTURES AND ACCESSORIES

SCALE: 1/2" = 1'-0"

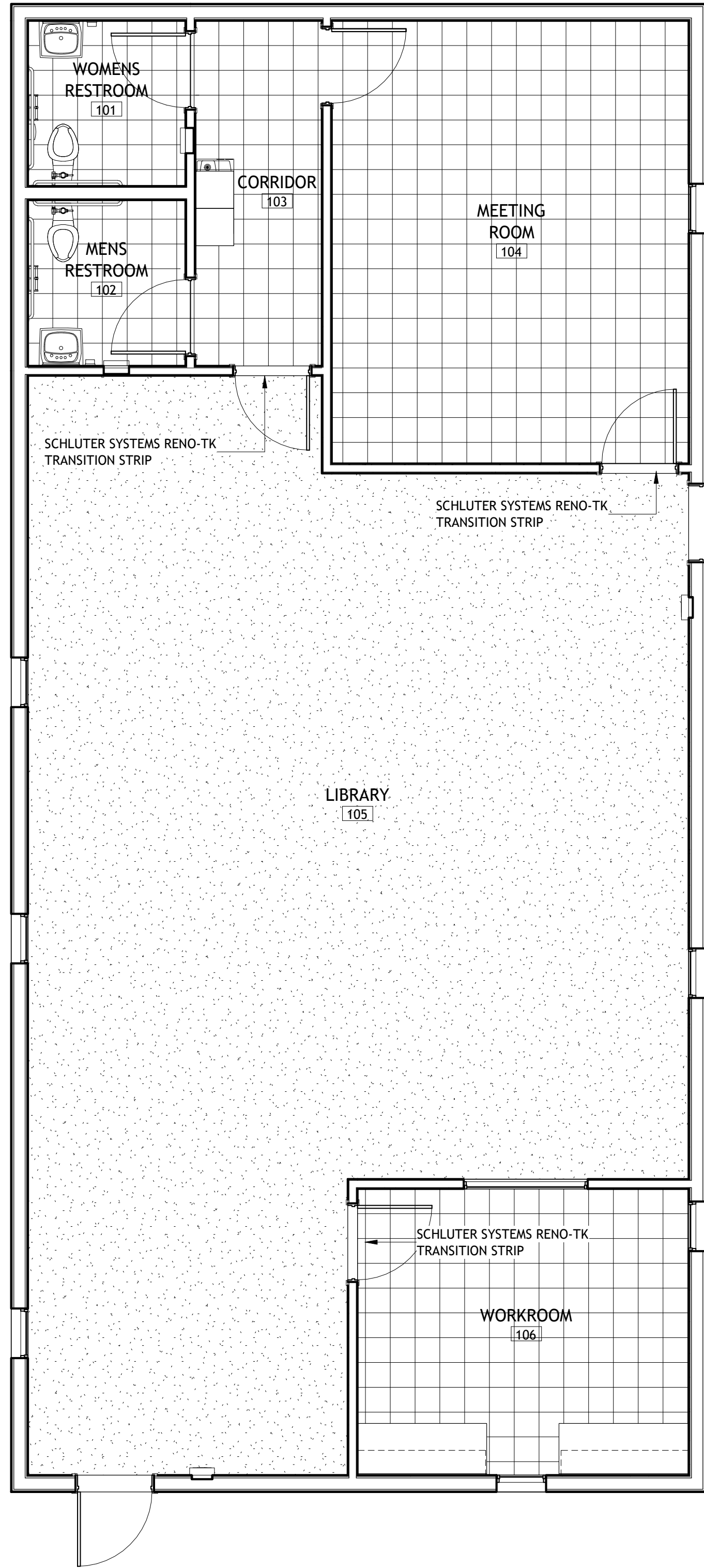
- GRAB BAR : BOBRICK B-6806XLENGTH
- TOILET PAPER DISPENSER : BOBRICK B-2740
- SANITARY NAPKIN DISPOSAL : BOBRICK B-270 (SURFACE MOUNTED)
- PAPER TOWEL DISPENSER : BOBRICK B-38032 (SEMI-RECESSED)
- SOAP DISPENSER : BOBRICK B-2111
- MIRROR : BOBRICK B-290 1836



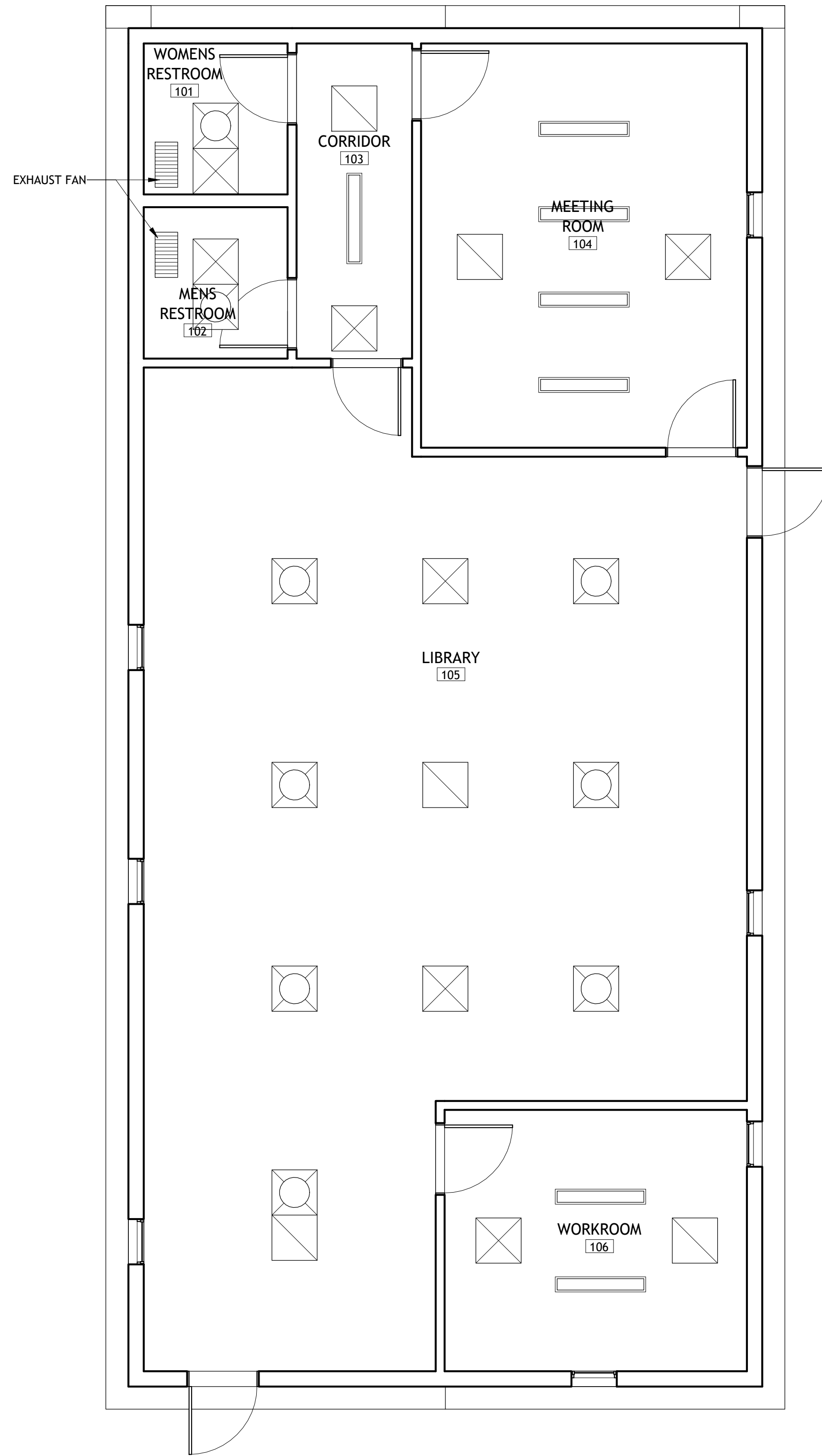
VER.	DATE	DESCRIPTION
0	01/17/2022	BID DOCUMENTS



1 FLOOR FINISH PLAN
SCALE: 1/4" = 1'-0"



2 REFLECTED CEILING PLAN
SCALE: 1/4" = 1'-0"
NOTE: LIGHTING AND HVAC SUPPLY/RETURN GRILLES SHOWN SCHEMATICALLY ONLY



ROOM NUMBER	ROOM NAME	FLOOR	BASE	WALL FINISH				CEILING FINISH	COMMENTS
				NORTH	EAST	SOUTH	WEST		
101	WOMENS RESTROOM	VCT	RB1	PT2	PT2	PT2	PT2	PT3	
102	MENS RESTROOM	VCT	RB1	PT2	PT2	PT2	PT2	PT3	
103	CORRIDOR	VCT	RB1	PT1	PT1	PT1	PT1	PT3	
104	MEETING ROOM	VCT	RB1	PT1	PT1	PT1	PT1	PT3	
105	LIBRARY	MCS	RB2	PT1	PT1	PT1	PT1	PT3	
106	WORKROOM	VCT	RB1	PT1	PT1	PT1	PT1	PT3	

FINISH NOTES

- FINISH NOTES:**
- CONTRACT SHOULD INCLUDE FINISHES ON ALL EXPOSED SURFACES OF FLOORS, WALLS, CEILINGS, TRIM, ACCESS PANELS, EQUIPMENT EXPOSED TO VIEW, AND OTHER ITEMS, UNLESS NOTED OTHERWISE.
 - WALLS AND OTHER APPLICABLE SURFACES TO BE FINISHED PRIOR TO INSTALLATION OF FIXTURES AND EQUIPMENT: CC TO COORDINATE INSTALLATION, AND REPAIR WALL SURFACES AND FINISH SYSTEMS DAMAGED DURING CONSTRUCTION OR INSTALLATION OF FIXTURES AND EQUIPMENT AT NO ADDITIONAL COST TO OWNER.
 - ALL PARTITIONS AND GYPSUM BOARD SURFACES TO BE TAPED, BEDDED, AND PREPARED TO RECEIVE FINISH SYSTEM SPECIFIED PER MANUFACTURER'S RECOMMENDATIONS.
 - ALL ELECTRICAL OUTLET COVERPLATES AND DEVICES ARE TO BE COLOR AS SELECTED BY ARCHITECT.

FLOOR FINISH SCHEDULE:

VCT	VINYL COMPOSITION TILE 12" X 12"	COLOR, TBD
RB1	RUBBER BASE, 4" COVE	COLOR, TBD
RB2	RUBBER BASE, 4" STRAIGHT	COLOR, TBD
MCS	MODULAR CARPET SQUARES (24"X24")	COLOR, TBD

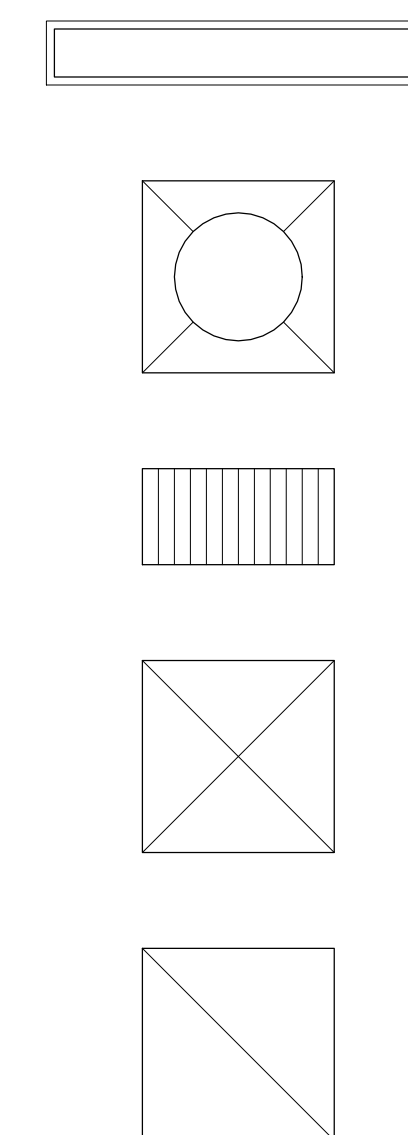
WALL AND MILLWORK FINISH SCHEDULE:

PT1	PAINT, EGGSHELL, (GYP. BD.)	COLOR, TBD
PT2	EPOXY PAINT, EGGSHELL, (GYP. BD.)	COLOR, TBD

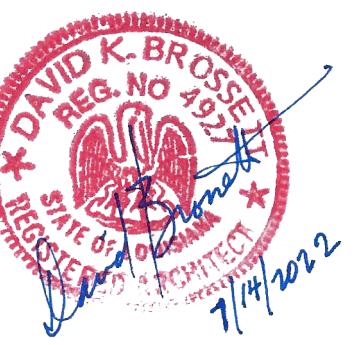
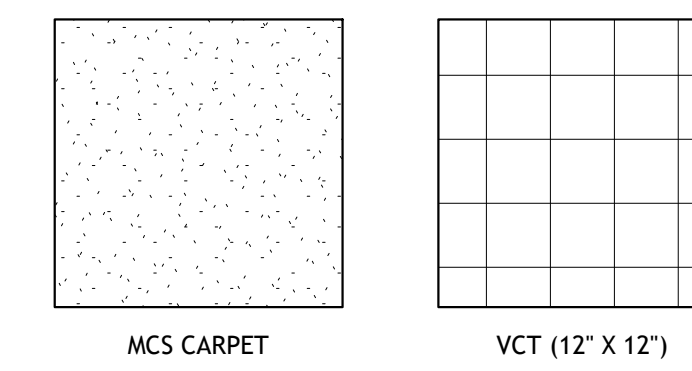
CEILING FINISH SCHEDULE:

PT3	PAINT, FLAT (GYP. BD.)	COLOR, TBD
-----	------------------------	------------

RCP LEGEND



FINISH LEGEND



Brossett Architect, LLC • 414 Pujo St., Lake Charles, LA 70601

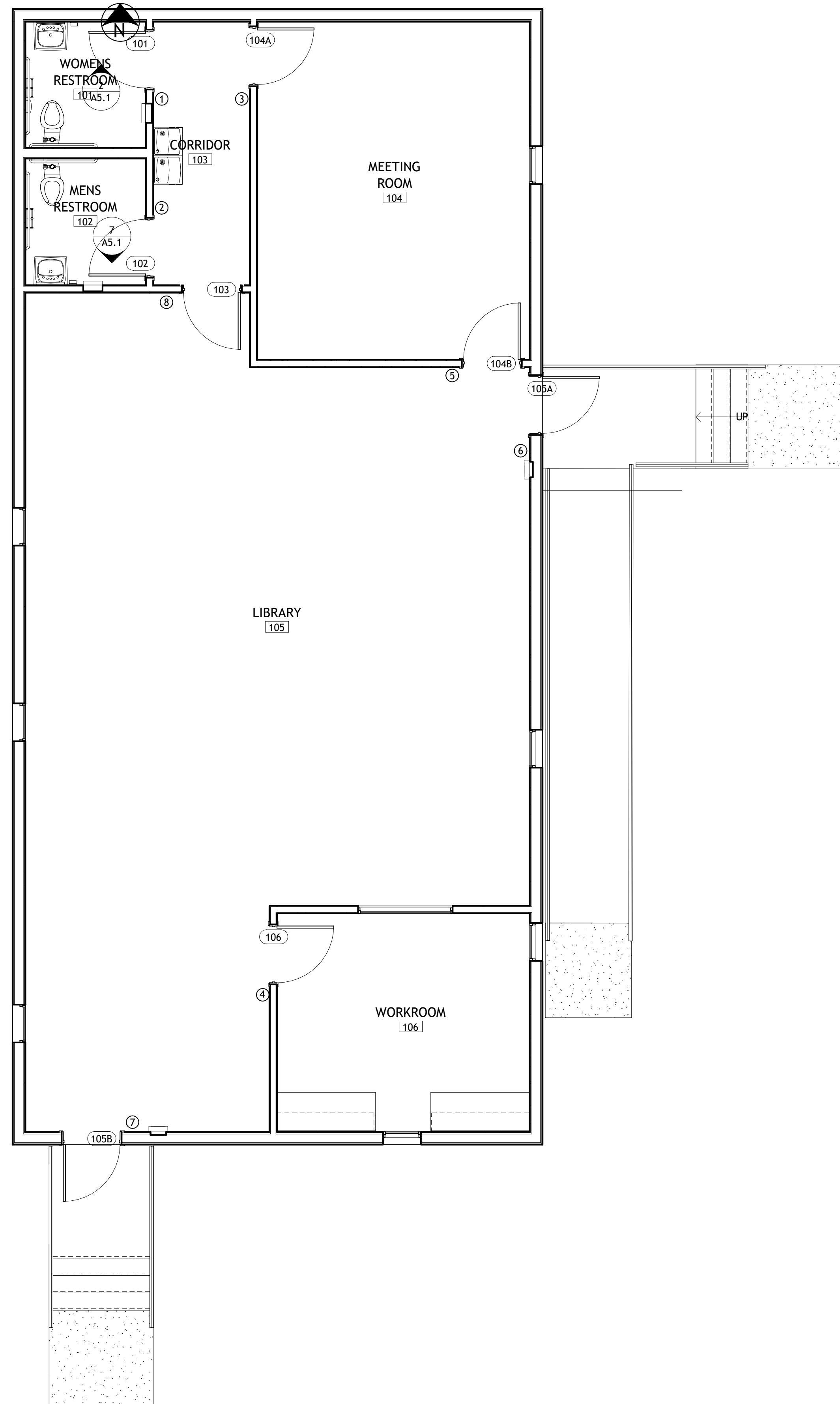
BEAUREGARD PUBLIC LIBRARY
WYE BRANCH
HIGHWAY 26
DRY CREEK, LOUISIANA 70637
REFLECTED CEILING PLAN

SHEET NO.
A6.1
ARCH #21025 BA

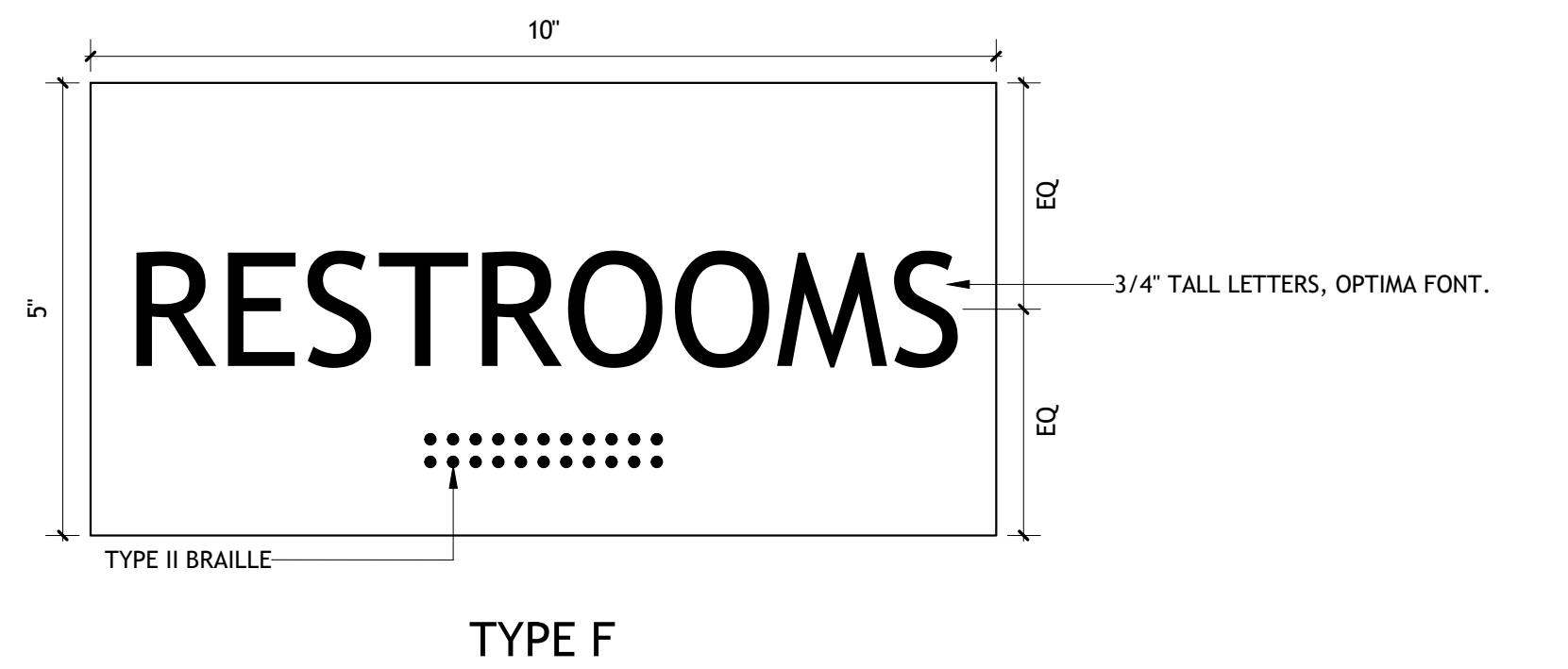
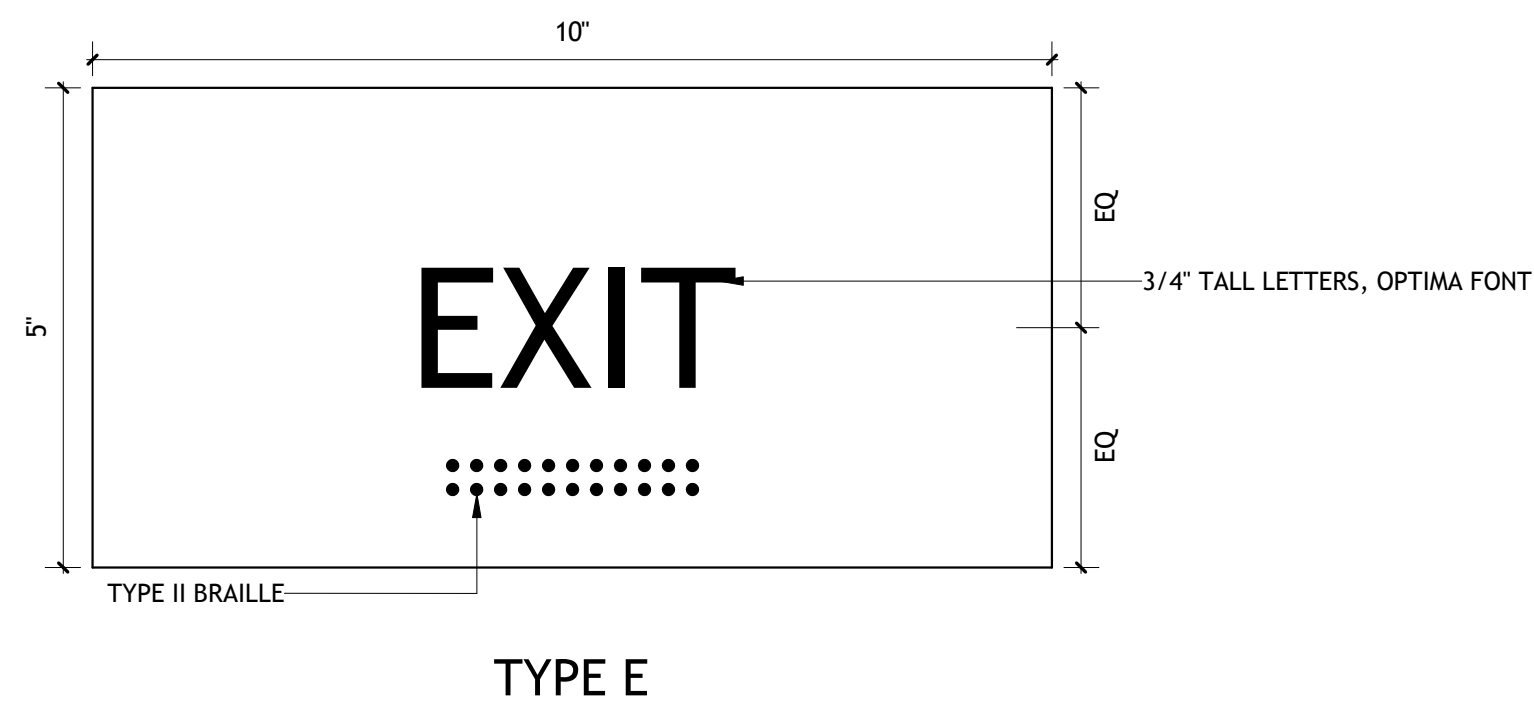
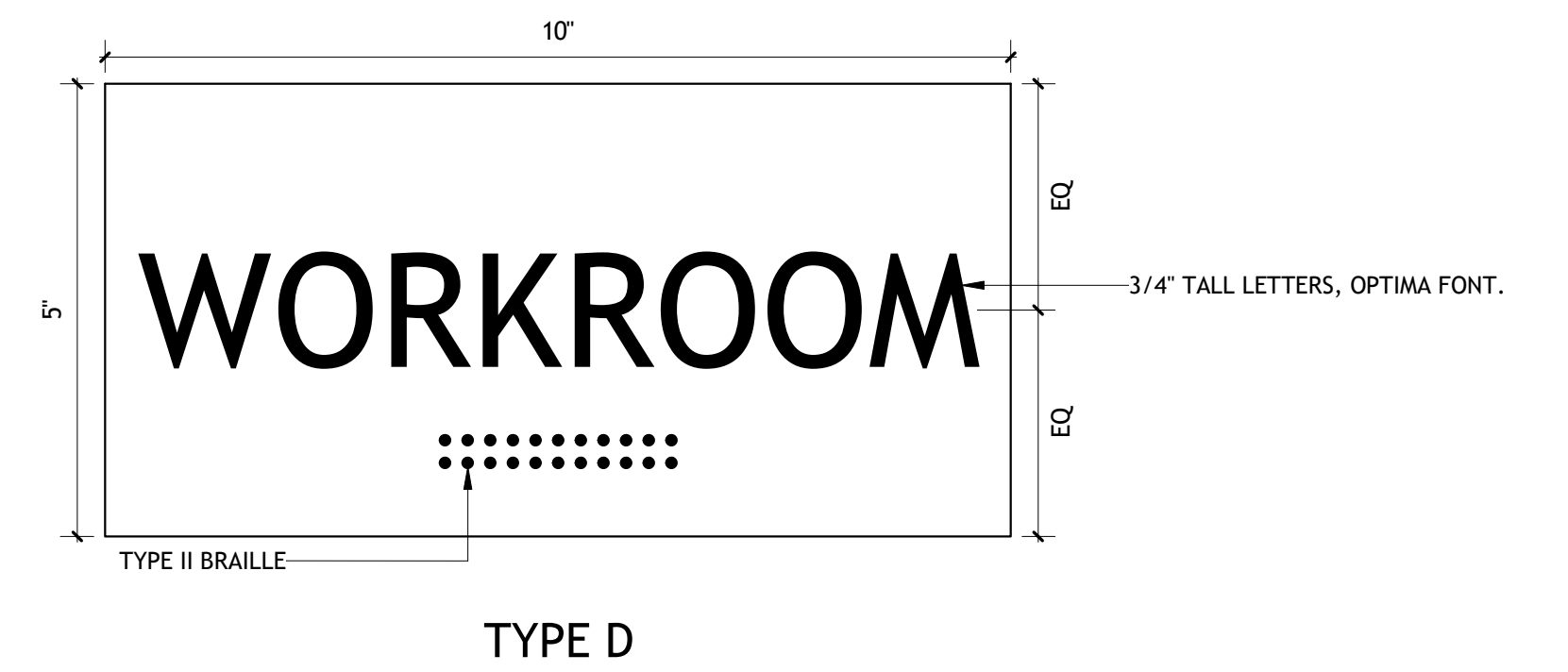
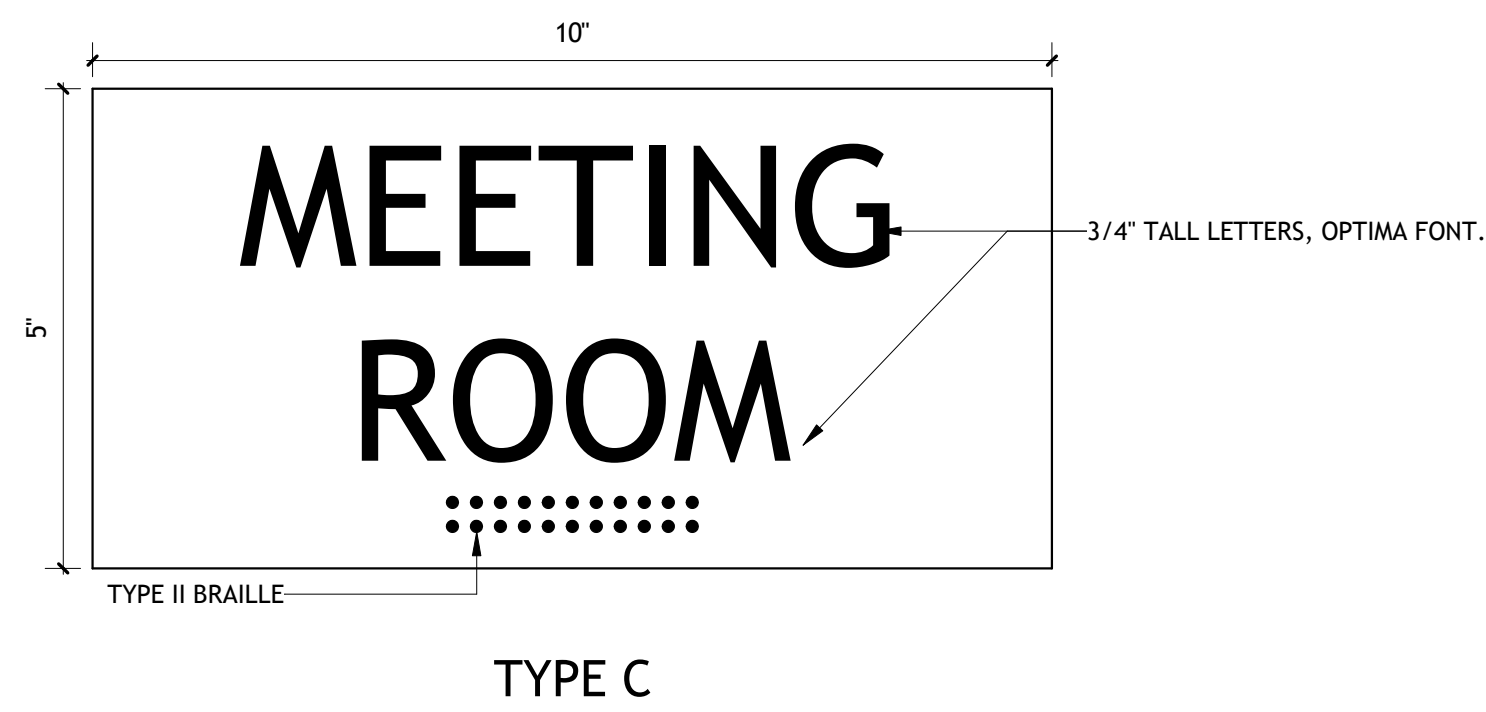
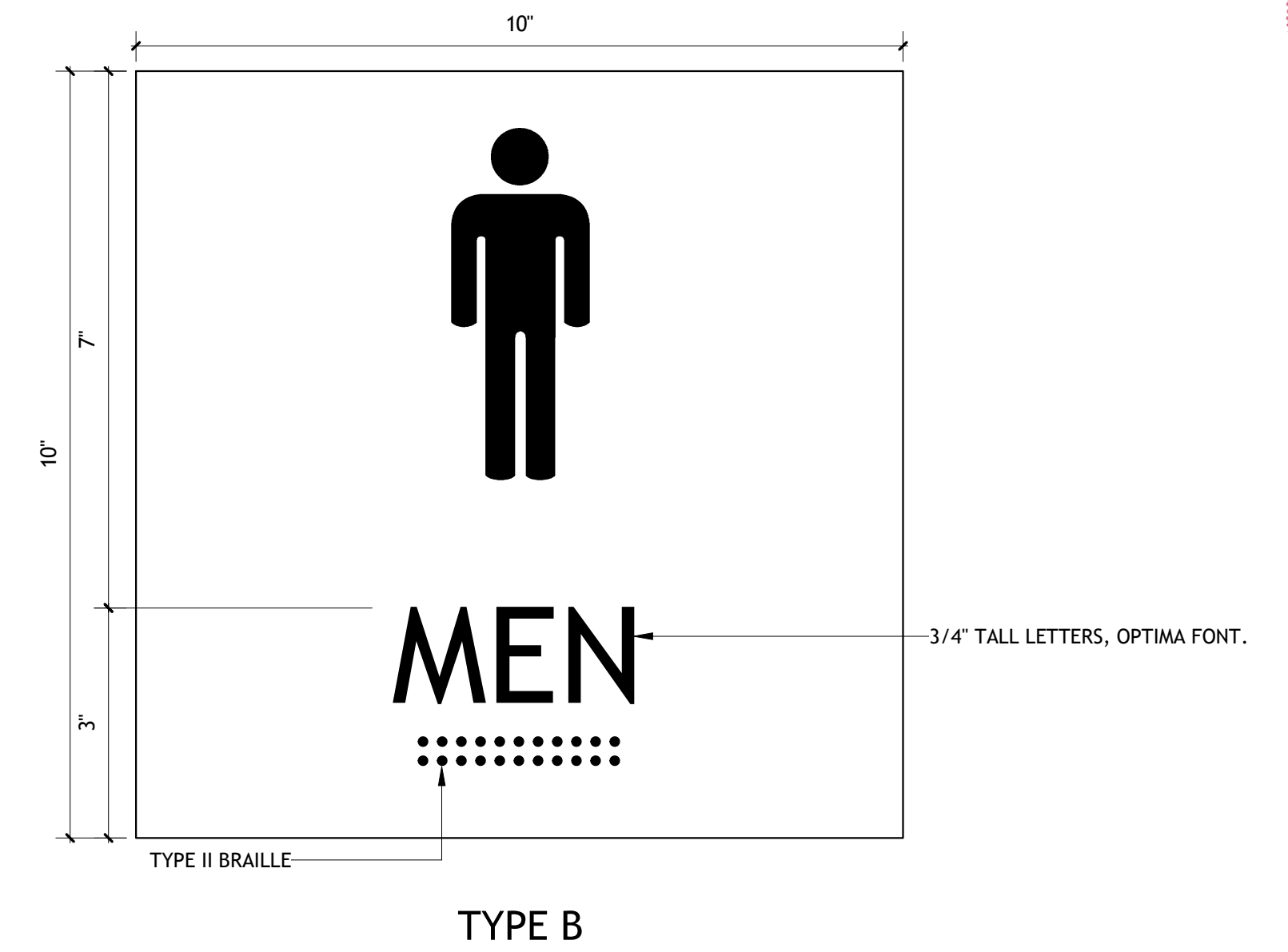
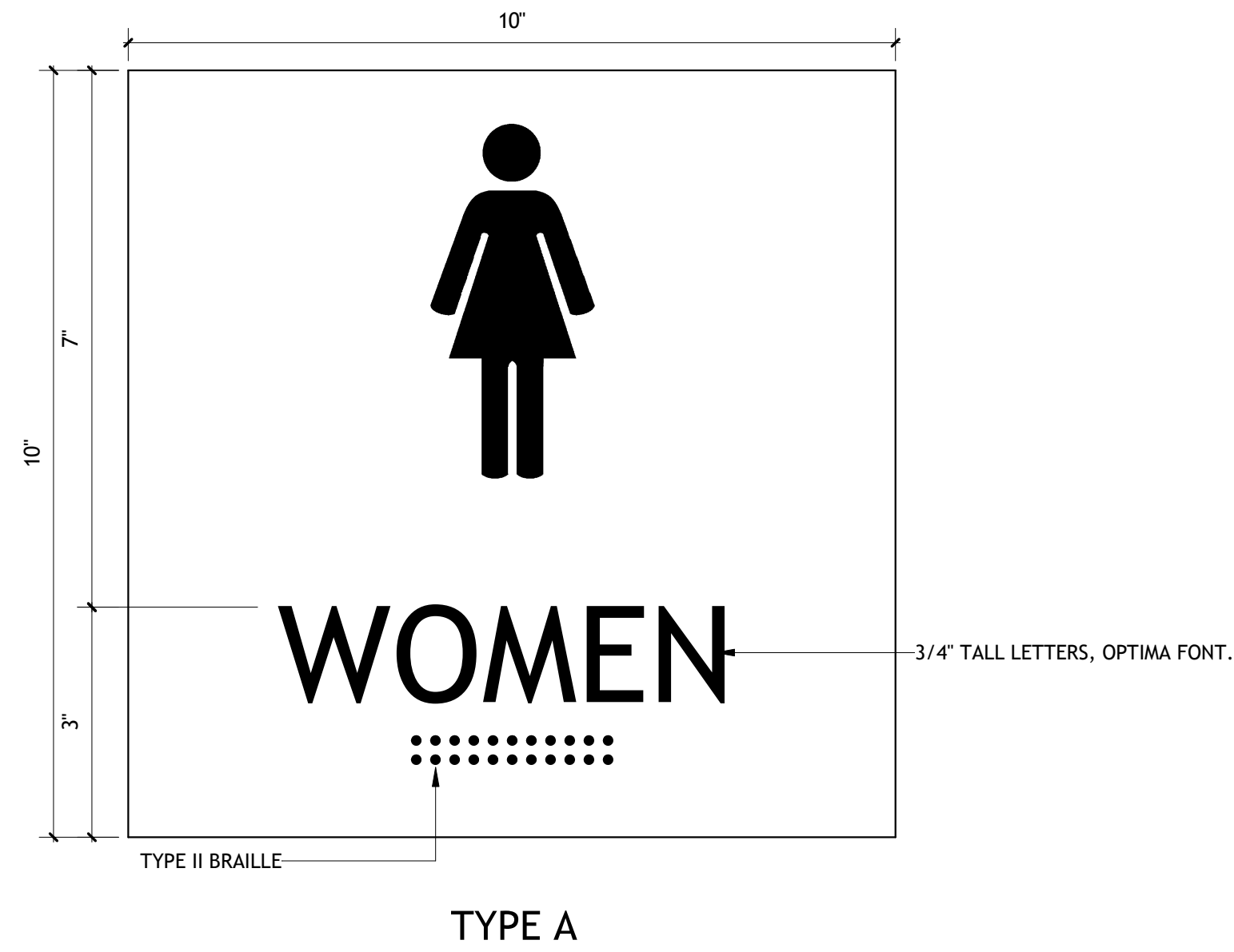
VER.	DATE	DESCRIPTION
0	01/17/2022	BID DOCUMENTS

© COPYRIGHT 2022, Brossett Architect, LLC All Rights Reserved. This document shall not be copied or reproduced without written permission.

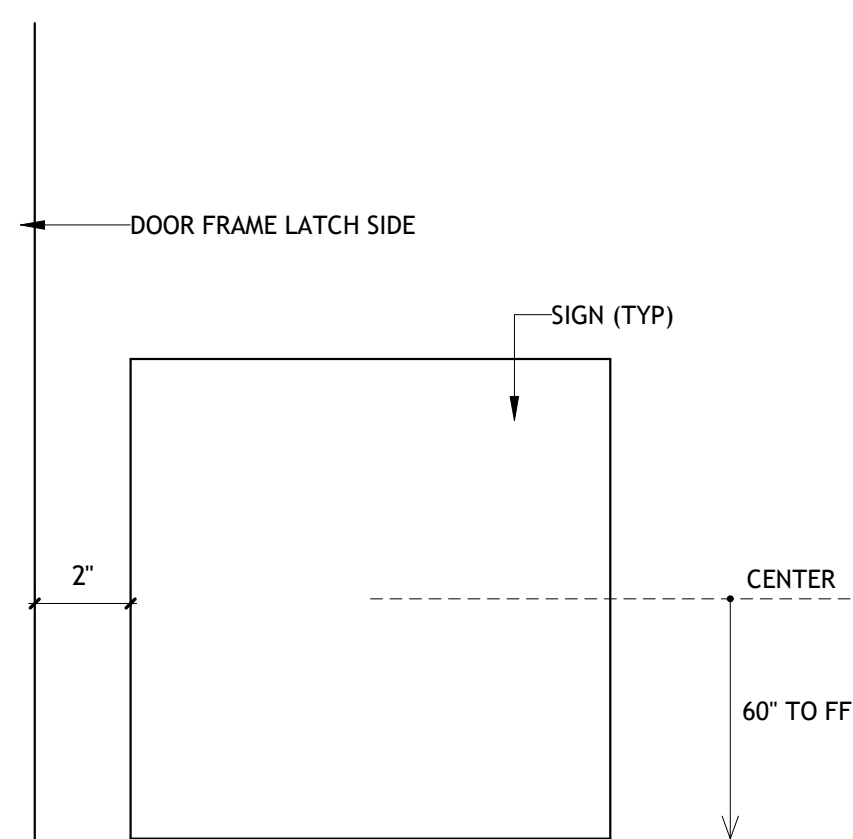
1 SIGNAGE FLOOR PLAN
SCALE: 1/4" = 1'-0"



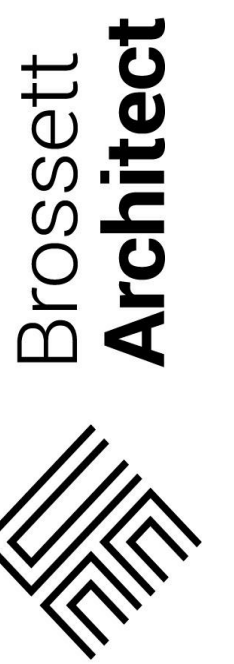
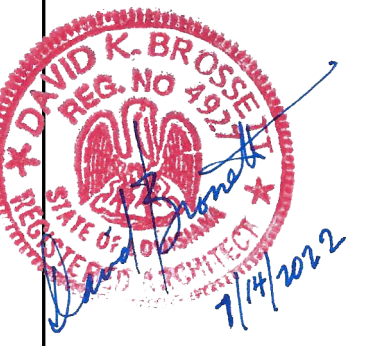
2 SIGN TYPES
SCALE: 6" = 1'-0"



3 SIGNAGE PLACEMENT DETAIL
SCALE: 3" = 1'-0"



SIGNAGE SCHEDULE			
NUMBER OF SIGN	DOOR NUMBER	NAME ON SIGN	SIGN TYPE
01	101	WOMEN'S RESTROOM	A
02	102	MEN'S RESTROOM	B
03	104A	MEETING ROOM	C
04	106	WORKROOM	D
05	104B	MEETING ROOM	C
06	105A	LIBRARY	E
07	105B	LIBRARY	F
08	105B	LIBRARY	F



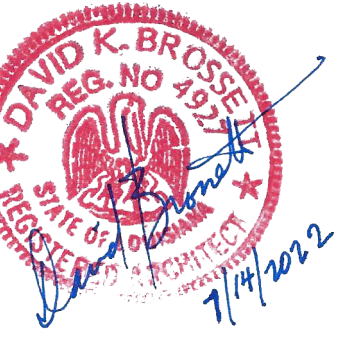
Brossett Architect, LLC • 414 Pujo St., Lake Charles, LA 70601

BEAUREGARD PUBLIC LIBRARY
WYE BRANCH
HIGHWAY 26
DRY CREEK, LOUISIANA 70637
SIGNAGE

SHEET NO.
A6.2
ARCH #21025 BA

VER.	DATE	DESCRIPTION
0	01/17/2022	BID DOCUMENTS

© COPYRIGHT 2022, Brossett Architect, LLC All Rights Reserved. This document shall not be copied or reproduced without written permission.



**Brossett
Architect**



Brossett Architect, LLC • 414 Pujo St., Lake Charles, LA 70601

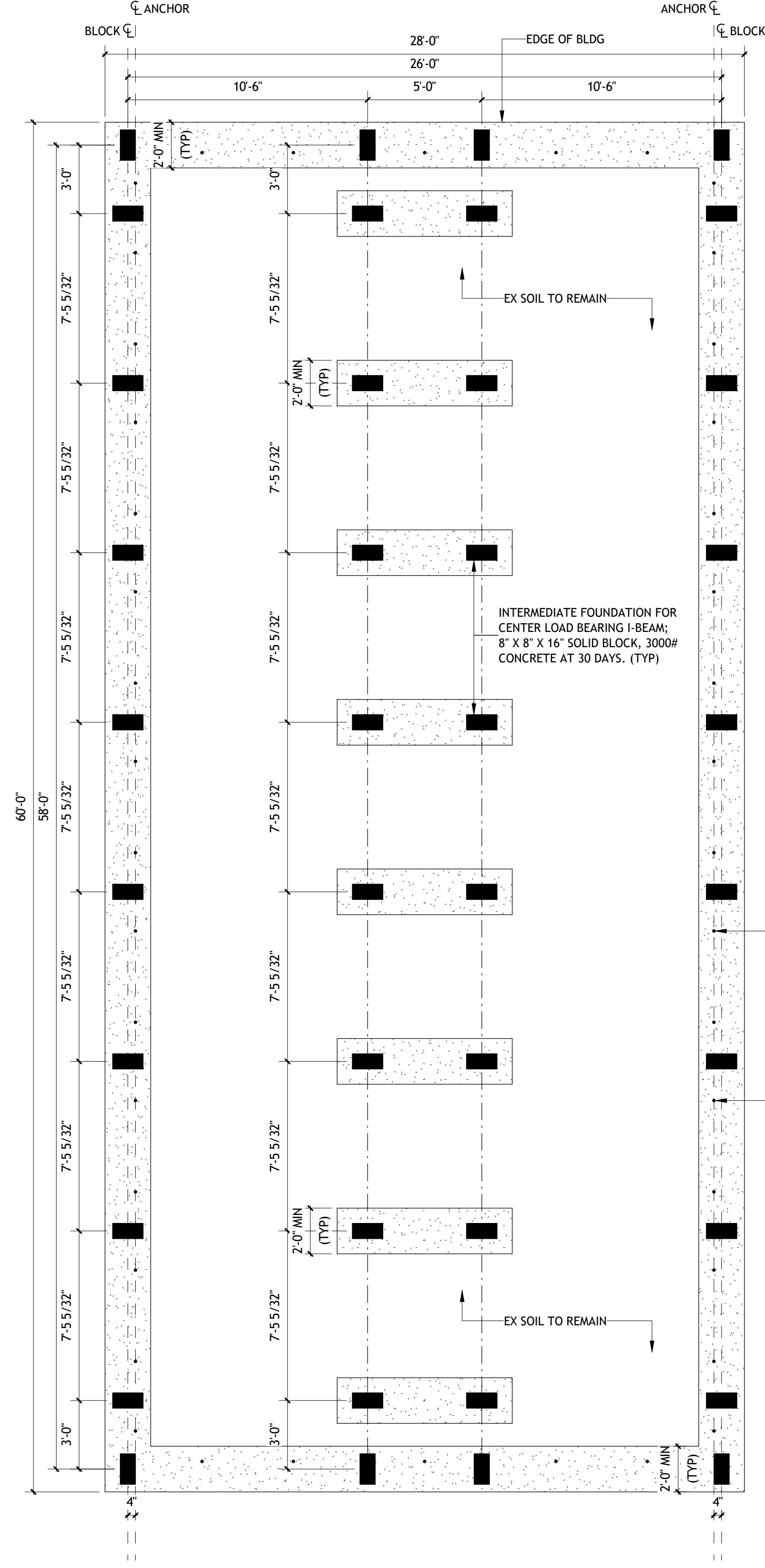
**BEAUREGARD PUBLIC LIBRARY
WYE BRANCH**
HIGHWAY 26
DRY CREEK, LOUISIANA 70637
FOUNDATION PLAN

SHEET NO.
S2.1
ARCH #21025 BA

VER.	DATE	DESCRIPTION
0	01/17/2022	BID DOCUMENTS

© COPYRIGHT 2022,
Brossett Architect, LLC
All Rights Reserved.
This document shall not be
copied or reproduced
without written permission.

1 FOUNDATION PLAN
SCALE: 1/4" = 1'-0"

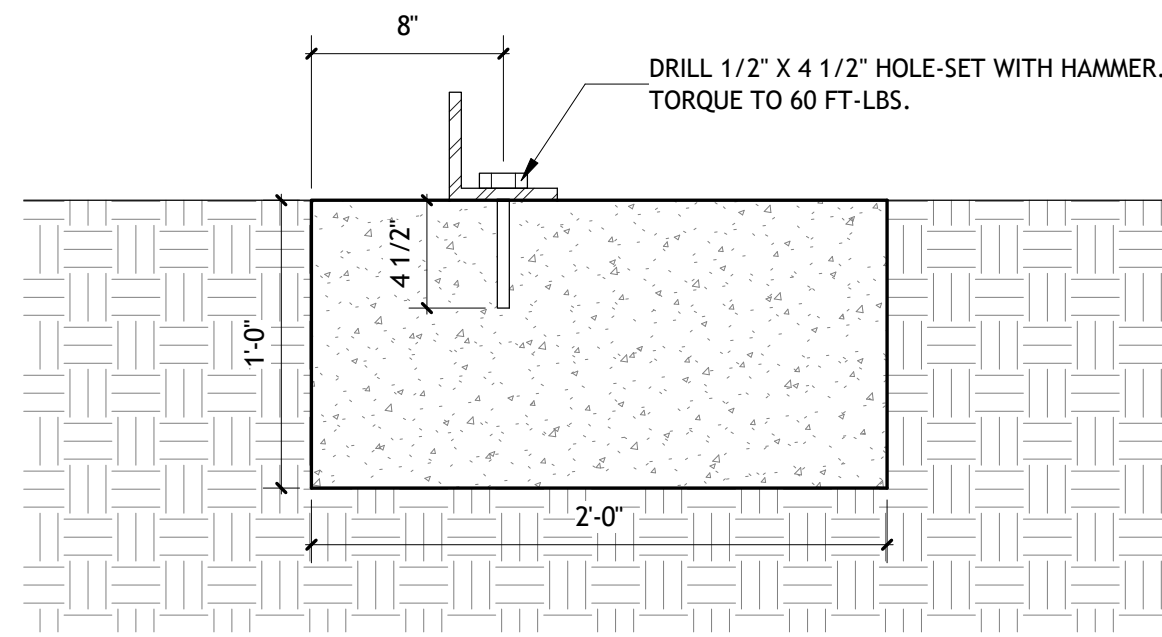


ALL SUPPORTING SOLID 8" X 8" X 16" SOLID BLOCK, 3000# CONCRETE AT 30 DAYS ARE TYPICAL AT ALL LOCATIONS AS INDICATED (TYP).

LOCATE ANCHORS PER DETAIL 2/52.1 (TYP). TYPICAL ALL LOCATIONS INDICATED ON DRAWING. SEE INSET FOR DETAILS ON TYPE OF ANCHOR, WEDGE ANCHORS AT 4'-0" CENTER TO CENTER MIN (TYP).

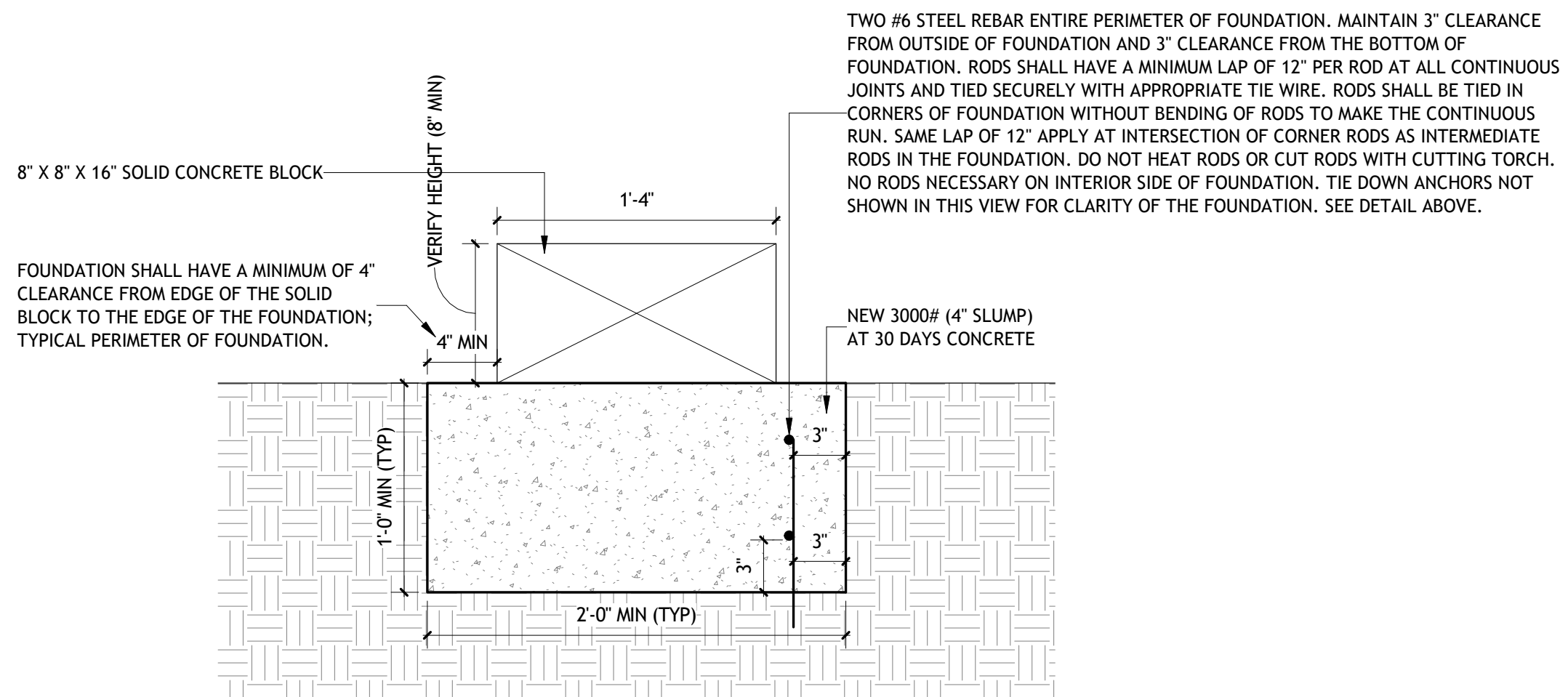
2 CONCRETE BLOCK DETAIL

SCALE: 1 1/2" = 1'-0"
NOTE: SIMPSON STRONG TIE WEDGE-ALL ANCHORS OR APPROVED EQUAL: 1/2" CARBON STEEL BOLT 3000# CONCRETE AT 30 DAYS; ANCHOR EMBEDMENT DEPTH: 4 1/2"
TENSION LOAD: ALLOWABLE - 2,350 LBS
SHEAR LOAD: 1,850 LBS



3 ANCHOR DETAIL

SCALE: 1 1/2" = 1'-0"



DEFINE

PLUMBING ABBREVIATIONS

AD	ACCESS DOOR	HP	HORSE POWER
ADA	AMERICANS WITH DISABILITIES ACT	HS	HOSE STATION
AFF	ABOVE FINISHED FLOOR	HW	HAND WASH
AV	ACID VENT	ICE	ICE MACHINE WATER CONNECTION
AW	ACID WASTE	L	LAVATORY
BOP	BOTTOM OF PIPE	LS	LIFT STATION (SANITARY SEWER)
BP	BACKFLOW PREVENTER	MH	MANHOLE
BT	BATH TUB	MV	MIXING VALVE
BTUH	BRITISH THERMAL UNITS PER HOUR	N.O.	NORMALLY OPEN
C	CONDENSATE DRAIN LINE	N.C.	NORMALLY CLOSED
CA	COMPRESSED AIR LINE	NTS	NOT TO SCALE
CB	CATCH BASIN	P	PUMP
CFM	CUBIC FEET PER MINUTE	PIV	POST INDICATING VALVE
CI	CAST IRON	PRV	PRESSURE REDUCING VALVE
CO	CLEANOUT	PSIG	POUNDS PER SQUARE INCH GAGE
CSS	CLINIC SERVICE SINK	PT	PLASTER TRAP
CP	CIRCULATING WATER PUMP	REF	REFRIGERATOR WATER CONNECTION BOX
D	DRAIN LINE	RD	ROOF DRAIN
DF	DRINKING FOUNTAIN	RPM	REVOLUTIONS PER MINUTE
DCW	DOMESTIC COLD WATER LINE	SAN	SANITARY SEWER
DHR	DOMESTIC HOT WATER RETURN LINE	SD	STORM DRAIN
DHW	DOMESTIC HOT WATER LINE	SF	SQUARE FOOT
DS	DRENCH SHOWER	SH	SHOWER
DSEW	DRENCH SHOWER WITH EYE WASH	SK	SINK
DT	DILUTION TRAP	SMH	SEWER MANHOLE
DW	DISHWASHER	SS	SERVICE SINK
ET	EXPANSION TANK	STP	SEWER TREATMENT PLANT
EW	EYE WASH	TD	TRENCH DRAIN
EWC	ELECTRIC WATER COOLER	TP	TRAP PRIMER
EWH	ELECTRIC WATER HEATER	TYP	TYPICAL
FCO	FLOOR CLEANOUT	U	URINAL
FD	FLOOR DRAIN	UNO	UNLESS NOTED OTHERWISE
FDC	FIRE DEPARTMENT CONNECTION	V	VENT
FFE	FINISHED FLOOR ELEVATION	VAC	VACUUM
FH	FIRE HYDRANT	VB	VACUUM BREAKER
FS	FLOOR SINK	VTR	VENT THRU ROOF
GD	GARBAGE DISPOSAL	W	WASHER WATER/DRAIN CONNECTION LINE
GPH	GALLONS PER HOUR	WC	WATER CLOSET
GPM	GALLONS PER MINUTE	WCO	WALL CLEANOUT
GT	GREASE TRAP	WF	WASH FOUNTAIN
GWH	GAS FIRED WATER HEATER	WG	WATER GAGE
HB	HOSE BIB	WP	WHIRL POOL
HD	HUB DRAIN	ZVB	ZONE VALVE BOX (MEDICAL GAS)

DESIGN

PLUMBING LEGEND

PIPING				VALVES			
EXISTING	DEMO	NEW	DESCRIPTION	EXISTING	DEMO	NEW	DESCRIPTION
			DOMESTIC COLD WATER LINE				BALL VALVE (SHUT-OFF)
			DOMESTIC HOT WATER LINE (110°)				BALL VALVE (SHUT-OFF)
			DOMESTIC HOT WATER RETURN LINE				SHUT-OFF VALVE IN CAST IRON VALVE BOX
			DOMESTIC HOT WATER LINE (X=TEMP.)				CALIBRATED BALANCING VALVE
			SANITARY SEWER LINE (SAN)				CHECK VALVE
			SANITARY SEWER VENT LINE				OS&Y VALVE
			STORM DRAIN LINE (PRIMARY)				GAS COCK
			OVERFLOW STORM DRAIN LINE (SECONDARY)				BUTTERFLY VALVE
			CONDENSATE DRAIN LINE				VALVE IN RISE
			GREASE WASTE DRAIN LINE				2-WAY CONTROL VALVE
			ACID WASTE DRAIN LINE				3-WAY CONTROL VALVE
			FIRE MAIN WATER LINE	EQUIPMENT			
			SPRINKLER LINE	EXISTING	DEMO	NEW	DESCRIPTION
			NATURAL GAS LINE				PLUMBING FIXTURES
			PROPANE GAS LINE				METER
			COMPRESSED AIR LINE				REGULATOR
			REVERSE OSMOSIS PURE WATER SUPPLY LINE	SYMBOL (MISC.)			
			REVERSE OSMOSIS PURE WATER RETURN LINE	EXISTING	DEMO	NEW	DESCRIPTION
			DIONIZED PURE WATER SUPPLY LINE				CONNECT TO EXISTING SERVICES
			OXYGEN LINE (MEDICAL)				
			VACUUM LINE (MEDICAL)				
			NITROGEN LINE (MEDICAL)				
			NITROUS OXIDE (MEDICAL)				
			AIR (MEDICAL)				
			WASTE ANESTHETIC GAS DISPOSAL				
PIPE FITTING							
EXISTING	DEMO	NEW	DESCRIPTION				
			CAPPED PIPE				
			PIPE RISE				
			PIPE DROP				
			UNION				
			DIRECTION OF FLOW				
			PIPE SUPPORT OR BRACING				
			PIPE CONNECTION (TOP)				
			PIPE CONNECTION (BOTTOM)				
			PIPE CONNECTION (SIDE)				
			CAPPED OUTLET TOP				
			PIPE REDUCER AND/OR INCREASER				

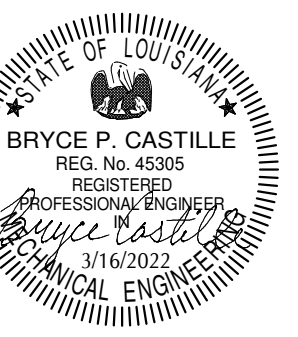
- NOTES: 1. EXISTING ITEMS ON DEMO PLANS ARE "EXISTING TO REMAIN" UNLESS NOTED "EXISTING TO BE RELOCATED."
 2. ITEMS ON NEW CONSTRUCTION PLANS ARE NEW UNLESS NOTED "RELOCATED FROM PREVIOUS LOCATION". REFER TO SCHEDULES AND SPECIFICATIONS FOR PLUMBING FIXTURES.
 3. NOT ALL ITEMS SHOWN ON THIS LIST MAY BE APPLICABLE TO THIS PROJECT.

DELIVER

PLUMBING GENERAL NOTES

- CONTRACTOR SHALL VISIT THE SITE AND DETERMINE THE EXTENT OF DEMOLITION WORK AND NEW WORK NEEDED FOR THIS PROJECT, PRIOR TO SUBMITTING BID.
- CONTRACTOR SHALL BECOME FAMILIAR WITH THE PROJECT SCOPE, CONSTRAINTS, UTILITY CONNECTIONS, AND BUILDING SERVICES, PRIOR TO SUBMITTING BID.
- CONTRACTOR SHALL GIVE FIRST RIGHT TO REFUSAL OF SALVAGE TO THE OWNER. IF THE OWNER ELECTS TO NOT KEEP SALVAGE, CONTRACTOR SHALL REMOVE SALVAGE BY LAWFUL MEANS.
- DRAWINGS ARE SCHEMATIC AND DIAGRAMMATIC IN NATURE. DRAWINGS SHALL NOT BE SCALED. COORDINATE ROUTING OF SERVICES WITH SITE CONDITIONS AND WITH WORK OF OTHER TRADES.
- FIELD VERIFY DIMENSIONS PRIOR TO ORDERING, FABRICATING, AND ERECTION OF MATERIAL AND/OR EQUIPMENT. NOTIFY THE ENGINEER OF DISCREPANCIES IN A TIMELY MANNER.
- VERIFY CLEARANCE REQUIREMENTS AND ROUTING OF PIPING PRIOR TO FABRICATION, AS MINOR MODIFICATIONS SUCH AS PIPING RISES AND DROP MAY BE REQUIRED DUE TO FIELD CONDITIONS. MAKE MINOR MODIFICATIONS TO THE BUILDING, PIPING, SPRINKLER, DUCTWORK, ELECTRICAL, ETC. AS SHOWN ON THE DRAWINGS OR REQUIRED TO COMPLETE THE INSTALLATION OF A COMPLETED WORKABLE SYSTEM.
- MAINTAIN WEATHER-TIGHT BARRIERS TO PREVENT DAMAGE FROM THE ELEMENTS DURING DEMOLITION AND NEW CONSTRUCTION PERIOD.
- SEAL PENETRATIONS THROUGH THE BUILDING ENVELOPE.
- PENETRATIONS THROUGH RATED WALLS, FLOORS, PARTITIONS AND ASSEMBLIES SHALL BE INSTALLED AND FIRESAFED TO MEET UL FIRE RESISTANCE LISTING AND NFPA REQUIREMENTS FOR THE PENETRATION.
- COORDINATE DEVICES REQUIRING ACCESS PANELS WITH THE ARCHITECT AND OTHER TRADES.
- MAINTAIN MINIMUM CLEARANCE 10'-0" BETWEEN OUTSIDE INTAKES AND EXHAUST OUTLETS AND PLUMBING VENTS.
- COORDINATE FINAL LOCATIONS AND ELEVATIONS WITH THE ARCHITECT PRIOR TO INSTALLATION.
- COORDINATE FINAL FINISH COLORS OF MATERIALS, DEVICES, AND/OR EQUIPMENT WITH THE ARCHITECT PRIOR TO ORDERING, FABRICATION AND INSTALLATION.
- SCHEDULE UTILITY SERVICES SHUTDOWNS WITH OWNER AND ARCHITECT. MINIMIZE DISRUPTIONS AND DOWNTIME TO THE OWNER.
- INSTALL DEVICES AND EQUIPMENT TO MEET ADA REQUIREMENTS.
- ROUTE PIPING CONCEALED IN INTERSTITIAL SPACE UNLESS NOTED OTHERWISE.
- DOCUMENT LOCATIONS OF DEVICES, PIPING, AND EQUIPMENT ON "AS-BUILT" RECORD DRAWINGS AS PER THE SPECIFICATIONS.
- PAY FOR SERVICE, DEPOSITS, INSPECTION, AND CONNECTION FEES REQUIRED FOR A COMPLETE INSTALLATION. COORDINATE WITH THE UTILITY SERVICE PROVIDER FOR THE REQUIREMENTS NEEDED FOR THIS PROJECT.
- WORK SHOWN IN THE DRAWINGS SHALL COMPLY WITH APPLICABLE NATIONAL, STATE, AND LOCAL ORDINANCES AND CODES.
- ALL EXPOSED DOMESTIC COLD AND HOT WATER PIPING WITHIN THE BUILDING SHALL HAVE FIELD INSTALL PVC JACKET.
- WATER HAMMER ARRESTER(S) SHALL BE INSTALLED ON PIPING SYSTEMS AND AT QUICK-CLOSING VALVES AS PER MANUFACTURER'S RECOMMENDATIONS.

meconsulting.com



Brossett
Architect



Brossett Architect, LLC • 414 Pujo St., Lake Charles, LA 70601

BEAUREGARD PUBLIC LIBRARY
WYE BRANCH
HWY 26
DERRIDER, LOUISIANA 70637
PLUMBING LEGEND & NOTES

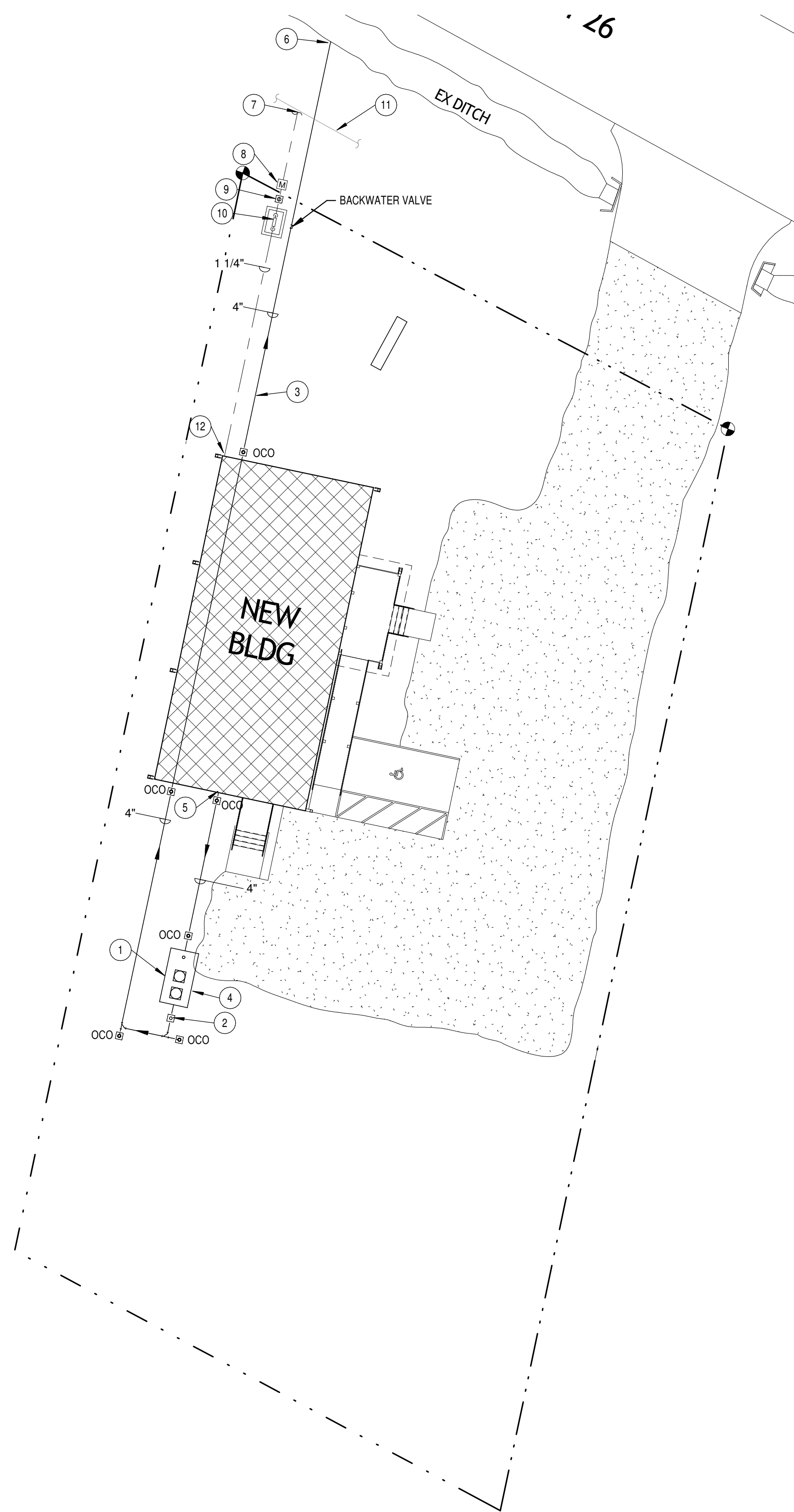
SHEET NO.
P0.0
ARCH #21025 BA

VER.	DATE	DESCRIPTION
0	01/7/2022	I.F.C. DOCUMENTS

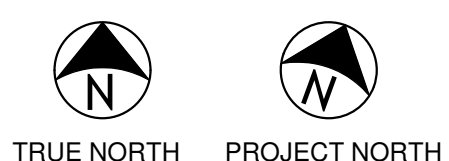
1304 BERTRAND DRIVE SUITE F7
LAFAYETTE, LOUISIANA 70506
(337) 234-7474 • FAX (337) 234-7774

Mechanical Contact: Bryce Castille, P.E.
Bryce@meconsulting.com
Electrical Contact: Connor Gross, E.I.
Connor@meconsulting.com
PROJECT No.: 22031.00

© COPYRIGHT 2022,
Brossett Architect, LLC
All Rights Reserved.
This document shall not be
copied or reproduced
without written permission.

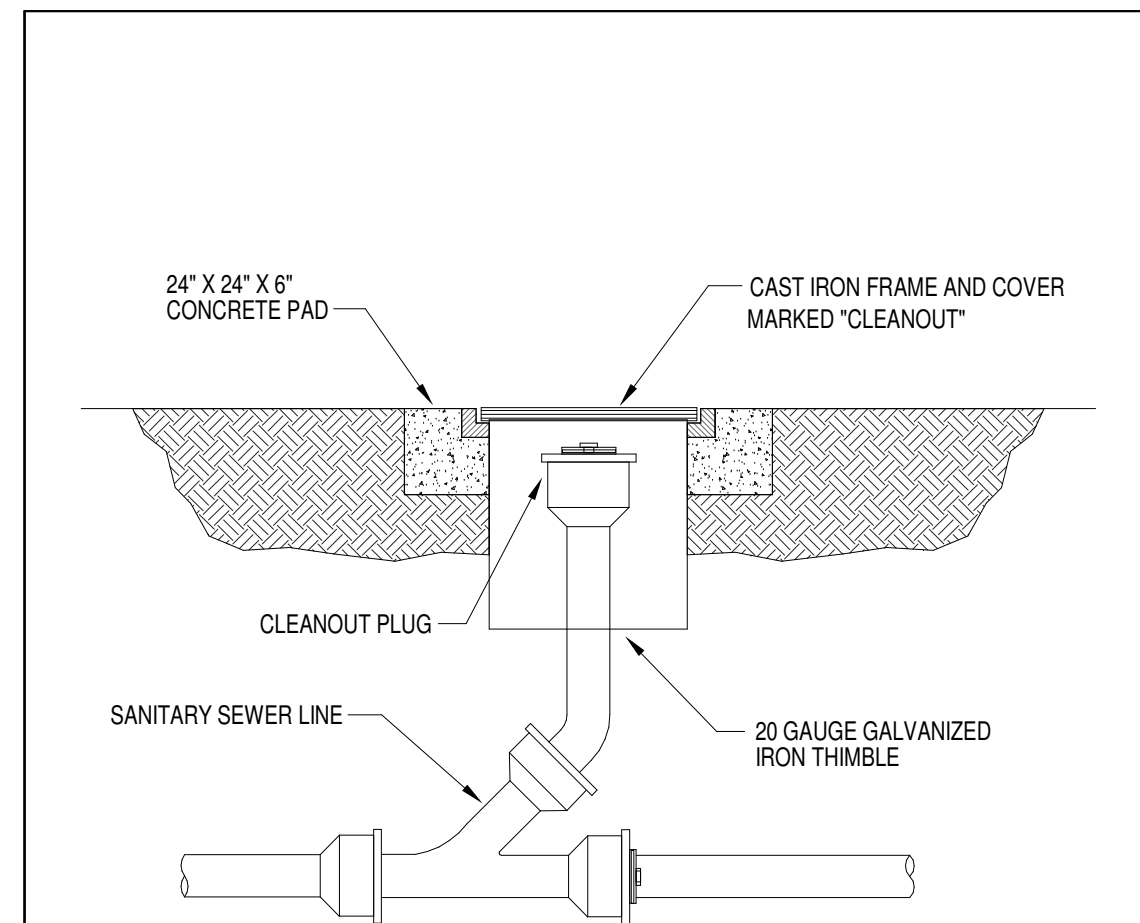


1 PLUMBING SITE PLAN
SCALE: 1/16" = 1'-0" Refer to Architectural Drawings for All Dimensions

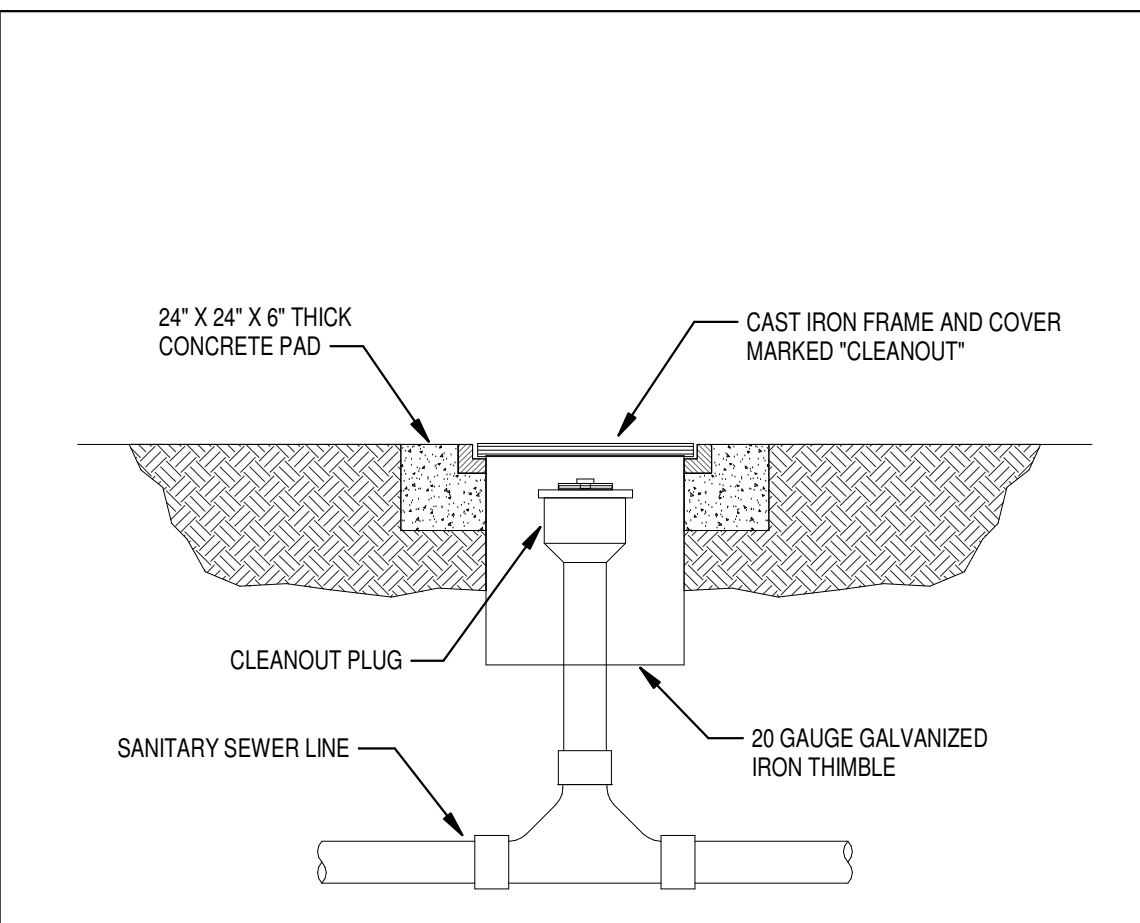


PLUMBING KEYNOTES:

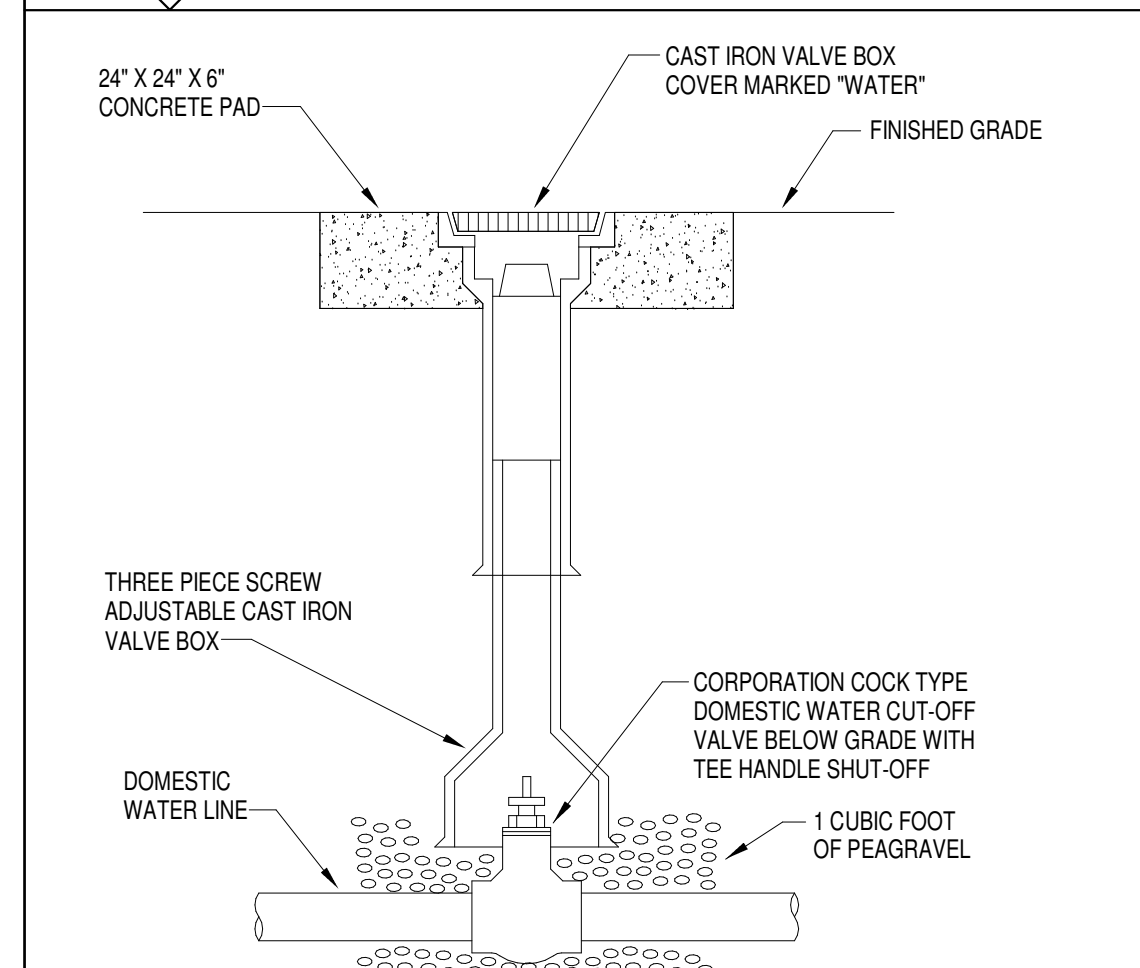
- 1 500 GALLON PACKAGED RESIDENTIAL SEWER TREATMENT PLANT.
- 2 SAMPLING PORT.
- 3 EFFLUENT LINE WITH INFILTRATOR EQ36 OR CONVENTIONAL FIELD LINE. LINE SHALL NOT BE WITHIN 10'-0" OF THE PROPERTY LINE.
- 4 PROVIDE RISERS AS REQUIRED ON ACCESS MANHOLES, ETC. TO BE FLUSH WITH FINISHED GRADE. VERIFY EXACT FINISH GRADE IN FIELD WITH ARCHITECT.
- 5 EXTEND AND CONNET TO BUILDING SEWER DISCHARGE.
- 6 EXTEND AND TERMINATE EFFLUENT LINE INTO EXISTING DRAINAGE DITCH.(INVERT V.O.J.)
- 7 EXTEND AND CONNECT TO EXISTING WATER MAIN WITH TAPPING SLEEVE AND VALVE IN THIS VICINITY. CONTRACTOR SHALL COORDINATE ALL REQUIREMENTS WITH LOCAL UTILITY COMPANY AND PAY FOR ALL CONNECTION FEES.
- 8 3/4" WATER METER BY LOCAL UTILITY COMPANY. CONTRACTOR SHALL PAY FOR ALL FEES AND CHARGES. TOTAL DEMAND = 22 GPM
- 9 1-1/4" SHUT-OFF VALVE IN CAST IRON VALVE BOX MARKED "WATER" ON COVER.
- 10 1-1/4" REDUCED PRESSURE ZONE ASSEMBLY WITHIN INSULATED ENCLOSURE FOR DOMESTIC WATER SYSTEM. PROVIDE FRENCH DRAIN FOR RELIEF LINE TERMINATION. REFER TO DETAILS FOR ADDITIONAL INFORMATION.
- 11 EXISTING MUNICIPAL WATER. (V.O.J.)
- 12 EXTEND AND CONNECT TO BUILDING WATER INLET.



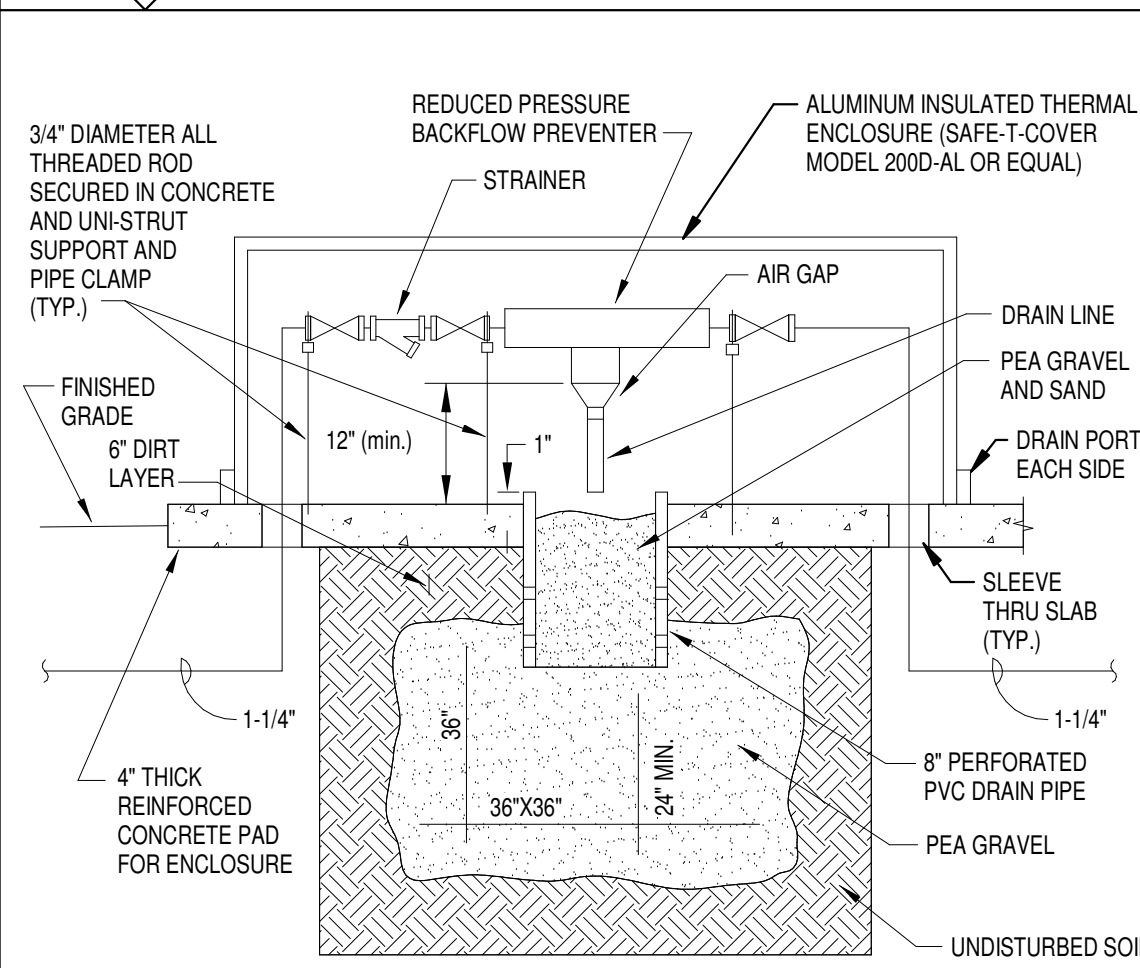
2 OUTSIDE CLEANOUT DETAIL
NO SCALE



3 TWO-WAY OUTSIDE CLEANOUT DETAIL
NO SCALE



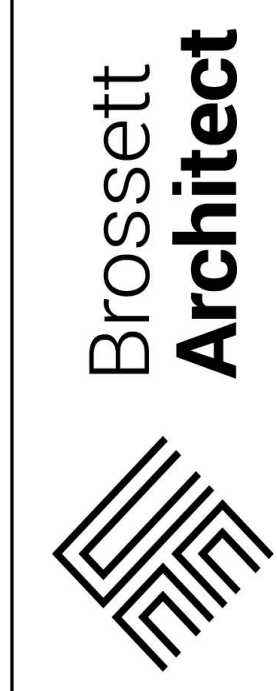
4 WATER VALVE BOX DETAIL
NO SCALE



5 FRENCH DRAIN DETAIL WITH R.P.B.F.P
NO SCALE

1304 BERTRAND DRIVE SUITE F7
LAFAYETTE, LOUISIANA 70506
(337) 234-7474 • FAX (337) 234-7774

Mechanical Contact: Bryce Castille, P.E.
Bryce@meconsulting.com
Electrical Contact: Connor Gross, E.I.
Connor@meconsulting.com
PROJECT No.: 22031.00



Brossett Architect, LLC • 414 Pujo St., Lake Charles, LA 70601

BEAUREGARD PUBLIC LIBRARY
WYE BRANCH
HWY 26
DERRIDER, LOUISIANA 70637
PLUMBING SITE PLAN

SHEET NO. **P1.1** ARCH #21025 BA

VER.	DATE	DESCRIPTION
0	07/7/2022	I.F.C. DOCUMENTS

© COPYRIGHT 2022, Brossett Architect, LLC All Rights Reserved. This document shall not be copied or reproduced without written permission.

DEFINE

DESIGN

DELIVER

ELECTRICAL ABBREVIATIONS	
CT	DENOTES COUNTER-TOP-HEIGHT MOUNTED. CONTRACTOR TO VERIFY COUNTER TOP HEIGHT AND HEIGHT OF BACK SPLASH.
E	DENOTES EMERGENCY DEVICE
G	DENOTES GROUND FAULT INTERRUPTER PROTECTED
WP	DENOTES WEATHERPROOF
AFF	DENOTES ABOVE FINISHED FLOOR
C	DENOTES CONDUIT
A	DENOTES AMP
EWC	ELECTRICAL WATER COOLER
W	WALL MOUNTED-48" ABOVE FINISHED FLOOR OR AS NOTED
CB	CODE BLUE
IG	DENOTES ISOLATED GROUND
FDS	FUSED DISCONNECT SWITCH
BOF	BOTTOM OF FIXTURE
MRR	MANUFACTURER'S RECOMMENDED RATING
WR	WEATHER RESISTANT
VOJ	VERIFY ON JOB
VR	VANDAL RESISTANT
SPD	SURGE PROTECTION DEVICE - REFER TO SPECIFICATIONS.

ELECTRICAL LINE TYPE LEGEND	
	SCREENED LINES/SYMBOLS INDICATE EXISTING DEVICES TO REMAIN.
	DASHED LINES/SYMBOLS INDICATE EXISTING DEVICES TO BE REMOVED OR RELOCATED.
	BOLD LINES/SYMBOLS INDICATE NEW OR RELOCATED DEVICES.

ELECTRICAL LEGEND	
SYMBOL	LIGHTING DESCRIPTION
	LIGHTING FIXTURE-REFER TO LIGHTING FIXTURE SCHEDULE
	LIGHTING FIXTURE-REFER TO LIGHTING FIXTURE SCHEDULE
	LIGHTING FIXTURE-REFER TO LIGHTING FIXTURE SCHEDULE
	LIGHTING FIXTURE-REFER TO LIGHTING FIXTURE SCHEDULE
	CEILING MOUNTED EXIT LIGHT - REFER TO LIGHTING FIXTURE SCHEDULE - ARROWS DEFINE DIRECTION
	WALL MOUNTED EXIT LIGHT - COORDINATE FINAL MOUNTING HEIGHT WITH THE ARCHITECT - REFER TO LIGHTING FIXTURE SCHEDULE - ARROWS DEFINE DIRECTION
	EMERGENCY LIGHT (8'-0" A.F.F. OR AS NOTED) - REFER TO LIGHTING FIXTURE SCHEDULE
	CEILING MOUNTED EGRESS LIGHT - REFER TO LIGHTING FIXTURE SCHEDULE
	PHOTOCCELL
	SINGLE POLE TOGGLE SWITCH (48" A.F.F. TO CENTER OF DEVICE OR AS NOTED)
	THREE-WAY TOGGLE SWITCH (48" A.F.F. TO CENTER OF DEVICE OR AS NOTED)
	WALL MOUNTED DIMMER SWITCH WITH ON/OFF AND 0-10V OUTPUT DIMMING. DIMMER MUST BE COMPATIBLE WITH BALLAST OR LED. REFER TO SPECIFICATIONS. PROVIDE ALL NECESSARY CONDUCTORS FOR COMPLETE OPERATING SYSTEM. (48" A.F.F. TO CENTER OF DEVICE OR AS NOTED)
	MOTOR RATED SWITCH (48" A.F.F. TO CENTER OF DEVICE OR AS NOTED). CONTRACTOR TO PROVIDE SWITCH TO DE-ENERGIZE EACH CURRENT CARRYING CONDUCTOR. LOCATE ADJACENT TO EQUIPMENT BEING SERVED IN A READILY ACCESSIBLE LOCATION.
	SINGLE POLE KEYSWITCH (48" A.F.F. TO CENTER OF DEVICE OR AS NOTED)
	SWITCH (48" A.F.F. TO CENTER OF DEVICE OR AS NOTED) COORDINATE TYPE AND INSTALLATION REQUIREMENTS WITH MANUFACTURE. COORDINATE LOCATION WITH OWNER.
	SINGLE POLE SWITCH. MOUNT IN DOOR SWING. LEE ELECTRIC: 210DN
	INBOARD AND OUTBOARD SWITCHING UNLESS NOTED OTHERWISE (48" A.F.F. TO CENTER OF DEVICE OR AS NOTED)
	SINGLE POLE DIGITAL PRESET COUNT DOWN TYPE TIMER SWITCH (48" A.F.F. TO CENTER OF DEVICE OR AS NOTED) SENSORSWITCH PTS 60 OR EQUAL
	WALL MOUNTED OCCUPANCY SENSOR (48" AFF TO CENTER OF DEVICE OR AS NOTED) - REFER TO SPECIFICATIONS.
	WALL MOUNTED DOUBLE SWITCH OCCUPANCY SENSOR (48" AFF TO CENTER OF DEVICE OR AS NOTED) - REFER TO SPECIFICATIONS.
	CORNER MOUNTED OCCUPANCY SENSOR - MOUNTING HEIGHT TO BE DETERMINED PER MANUFACTURER'S RECOMMENDATIONS FOR OPTIMAL COVERAGE - MYTECH, WATT STOPPER
POWER DESCRIPTION	
	DUPLEX CONVENIENCE OUTLET (18" A.F.F. FOR GENERAL AREAS, 36" A.F.F. FOR GARAGES, HANGARS AND THE LIKE OR AS NOTED)
	TELEVISION OUTLET (VERIFY MOUNTING HEIGHT AND LOCATION WITH ARCHITECT)
	ELECTRICAL WATER COOLER: COORDINATE ELECTRICAL DEVICE/OUTLET TYPE AND LOCATION WITH PLUMBING CONTRACTOR (CONCEAL OUTLET/DEVICE BEHIND COOLER) OUTLET TO BE GROUND FAULT INTERRUPTER PROTECTED.
	MICROWAVE OUTLET - RECESSED 20 AMP DUPLEX OUTLET. HUBBELL OR EQUAL. VERIFY EXACT MOUNTING LOCATION WITH OWNER/ARCHITECT PRIOR TO ROUGH IN.
	WATER HEATER; COORDINATE ELECTRICAL OUTLET/DISCONNECT TYPE AND LOCATION WITH PLUMBING CONTRACTOR
	SMART BOARD OUTLET - SB DENOTES HEIGHT OF OUTLET PER OWNER
	DUPLEX CONVENIENCE OUTLET (18" A.F.F. OR AS NOTED) TR DENOTES TAMPER RESISTANT - HUBBELL: RR205TR, GFTR20 OR EQUAL.
	COMBINATION RECEPTACLE/OUTLET AND DUAL USB CHARGER - LEVITON TS832 OR EQUAL. (18" A.F.F. OR AS NOTED)
	DOUBLE DUPLEX CONVENIENCE OUTLET (18" A.F.F. OR AS NOTED)
	SPECIAL OUTLET (VERIFY TYPE AND MOUNTING HEIGHT WITH EQUIPMENT MANUFACTURE)
	COUNTER TOP DUPLEX OUTLET (CLEAR BACK SPLASH)
	CEILING MOUNTED OUTLET
	MOTOR STARTER - PROVIDED BY MECHANICAL CONTRACTOR, INSTALLED BY ELECTRICAL CONTRACTOR.
	FLOOR BOX, POWER (COORDINATE FINAL LOCATION WITH OWNER/ARCHITECT PRIOR TO INSTALLATION) MINIMUM 2-3/4" CONDUITS TO ACCESSIBLE CEILING.
	FLOOR BOX, COMBINATION POWER/COMMUNICATIONS (COORDINATE FINAL LOCATION WITH OWNER/ARCHITECT PRIOR TO INSTALLATION. 2-1/2" CONDUITS IN SLAB TO 6" ABOVE ACCESSIBLE CEILING - PROVIDE BLANK PLATE OR XX DENOTES CABLE TYPE AND QUANTITY; P=PHONE, D=DATA, C=COAX REFER TO SPECIFICATIONS)
	JUNCTION BOX
	CONTROL POWER FOR ENERGY MANAGEMENT SYSTEM - PROVIDE OUTLET OR JUNCTION BOX AT LOCATION PER EMS CONTRACTOR
	HAND DRYER - COORDINATE OUTLET/DEVICE TYPE WITH SUPPLIER. COORDINATE LOCATION WITH THE OWNER/ARCHITECT PRIOR TO ROUGH-IN.
	ELECTRICAL MOTOR (COORDINATE TERMINATION WITH SUPPLIER)
	FUSED DISCONNECT SWITCH - FUSE AT MANUFACTURE RECOMMENDED RATING UNLESS NOTED OTHERWISE. XX DENOTES DISCONNECT SIZE, Y DENOTES PHASE, ZZ DENOTES FUSE SIZE.
	ELECTRICAL PANEL SURFACE MOUNTED
	ELECTRICAL PANEL FLUSH MOUNTED
	TELEPHONE/POWER POLE: COORDINATE EXACT MOUNTING LOCATION WITH FURNITURE MANUFACTURE. MAKE FINAL CONNECTIONS. REFER TO DETAIL WIRE MOLD: 30TP-4V
	CONDUIT RUN CONCEALED IN WALL OR ABOVE CEILING
	CONDUIT RUN CONCEALED UNDER FLOOR OR BELOW GRADE
	HOMERUN TO ELECTRIC PANEL BOARD (INDICATED NUMBER OF CIRCUIT BY NUMBER OF ARROWS)
	THREE (3) CONDUCTORS RUN IN CONDUIT. EVERY CIRCUIT TO HAVE A GROUND, SHARED NEUTRAL IS NOT ALLOWED.
	FOUR (4) CONDUCTORS RUN IN CONDUIT. EVERY CIRCUIT TO HAVE A GROUND, SHARED NEUTRAL IS NOT ALLOWED.
	FIVE (5) CONDUCTORS RUN IN CONDUIT. EVERY CIRCUIT TO HAVE A GROUND, SHARED NEUTRAL IS NOT ALLOWED.
	FOUR (4) CONDUCTORS RUN IN CONDUIT, ONE CONDUCTOR DESIGNATED FOR ISOLATED GROUND
	MOTORIZED DAMPER - PROVIDE BY OTHERS. ELECTRICALLY POWERED BY ELECTRICAL CONTRACTOR WHEN NOTED.
	START - STOP STATION - COORDINATE WITH EQUIPMENT PROVIDER.
	VARIABLE FREQUENCY DRIVE PROVIDED BY MECHANICAL AND INSTALLED BY ELECTRICAL. MAINTAIN CLEARANCES PER NFPA 70
INTERCOM DESCRIPTION	
	CLOCK, D=DENOTES DOUBLE FACE, S=DENOTES SINGLE FACE - DEEP 4" SQUARE BOX WITH SINGLE GANG PLASTER RING WITH CABLE/PULLSTRING IN 3/4" CONDUIT TO ACCESSIBLE CEILING
	ADMINISTRATIVE PHONE - PHONE FOR SPACE PER SPECIFICATIONS
	NON-ADMINISTRATIVE PHONE - PHONE FOR SPACE PER SPECIFICATIONS
	CLASSROOM PHONE - PROVIDE PHONE FOR SPACE PER SPECIFICATIONS
	CEILING MOUNTED SPEAKER - PROVIDE SPEAKER BACK BOX AND CABLING
	INTERCOM CONTROL STATION - DEEP 4" SQUARE BOX WITH SINGLE GANG PLASTER RING WITH CABLE/PULLSTRING IN 3/4" CONDUIT TO ACCESSIBLE CEILING.
	TRUMPET SPEAKER - DEEP 4" SQUARE BOX WITH SINGLE GANG PLASTER RING WITH CABLE/PULLSTRING IN 3/4" CONDUIT TO ACCESSIBLE CEILING. VERIFY HEIGHT WITH ENGINEER.

SYMBOL	SPECIAL SYSTEMS DESCRIPTION
	COMMUNICATIONS OUTLET - DEEP 4" SQUARE BOX WITH SINGLE GANG PLASTER RING WITH CABLE/PULLSTRING IN 1" CONDUIT TO ACCESSIBLE CEILING (18" A.F.F. OR AS NOTED) - PROVIDE A BLANK PLATE OR XX DENOTES CABLE TYPE AND QUANTITY; P=PHONE, D=DATA, C=COAX REFER TO SPECIFICATIONS
	TELEVISION OUTLET-DEEP 4" SQUARE BOX WITH SINGLE GANG PLASTER RING WITH CABLE/PULLSTRING IN 1" C. TO ACCESSIBLE CEILING (VERIFY MOUNTING HEIGHT AND LOCATION WITH ARCHITECT) - PROVIDE BLANK PLATE OR XX DENOTES CABLE TYPE AND QUANTITY; P=PHONE, D=DATA, C=COAX REFER TO SPECIFICATIONS
	DATA JACK ABOVE CEILING W/ 30" OF SLACK (FUTURE WIRELESS ACCESS POINT) XX- DENOTES CABLE QUANTITY
	AUDIO & VISUAL - DEEP 4" SQUARE DEEP DOUBLE GANG BOX WITH DOUBLE GANG PLASTER RING (MOUNT 18" A.F.F. V.O.J.) WITH 1 1/4" CONDUIT WITH CABLE/PULLSTRING TO A MINIMUM OF 6" ABOVE CEILING.
	OVERHEAD PROJECTOR - DEEP 4" SQUARE BOX INSTALLED ABOVE CEILING ADJACENT TO OVERHEAD PROJECTOR (SEE DETAIL)
	AUDIO & VISUAL - RECESSED FLOOR BOX - WIREMOLD RFB9 OR EQUAL (SEE DETAIL)
	SMART BOARD J-BOX - 4" SQUARE DEEP BOX WITH SINGLE GANG PLASTER RING WITH CABLE/PULLSTRING IN 3/4" CONDUIT TO ACCESSIBLE CEILING. (SEE DETAIL)
	CONTROL STATION - 4" SQUARE DEEP BOX WITH SINGLE GANG PLASTER RING WITH CABLE/PULLSTRING IN 3/4" CONDUIT TO ACCESSIBLE CEILING. (SEE DETAIL)
ELECTRICAL SPECIFICATIONS	
SCOPE	
A. INCLUDES ELECTRICAL WIRING IN CONDUIT FOR LIGHTING, POWER AND CONTROL CIRCUITS.	
B. INCLUDES RACEWAY FOR TELEPHONE/DATA AS PER DRAWING.	
STANDARDS	
A. WRITTEN INSTRUCTIONS OF MANUFACTURER.	
B. NATIONAL ELECTRICAL CODE.	
C. UNDERWRITERS' LABORATORY (UL).	
D. STATE AND LOCAL CODES.	
PERMITS AND INSPECTIONS	
A. OBTAIN NECESSARY APPROVAL.	
B. PAY FOR REQUIRED PERMITS AND TESTS.	
MATERIAL	
A. PROVIDE INSERTS, HANGERS, SUPPORTS, CABLES, PULL BOXES, DISCONNECTS, SWITCHES, ETC.	
B. ALL WIRING MUST RUN IN CONDUIT.	
C. EMT MAY BE USED WITHIN CODE LIMITS.	
D. DO NOT USE ALUMINUM CONDUIT IN SLAB OR BURIED.	
E. NO BRANCH CIRCUITS CAN BE LESS THAN #12; ALL BRANCH CIRCUITS #8 AND SMALLER SHALL HAVE THHN/THWN 600 VOLT INSULATION; ALL BRANCH CIRCUITS #6 AND LARGER SHALL HAVE THHN/THWN 600 VOLT INSULATION. ALL BRANCH CIRCUITS SHALL BE COPPER.	
F. FEEDERS SHALL HAVE THHN/THWN 600 VOLT INSULATION. ALL FEEDERS SHALL BE COPPER.	
G. COLOR CODE CONDUCTORS.	
H. ALL CONDUITS SHALL HAVE A GROUNDING CONDUCTOR.	
I. PROVIDE TYPEWRITTEN DIRECTORY OF PANELS.	
J. USE LEVITON 5800 RECEPTACLES PLACING PLASTIC DEVICE PLATES.	
K. WALL SWITCHES HUBBELL 12211-1 PLACING PLASTIC DEVICE PLATES.	
L. USE FLEXIBLE CONDUIT 12" LONG FOR MOTOR CONNECTIONS. (SEAL TIGHT IN WET LOCATIONS.)	
M. WIRE ALL FIELD ASSEMBLED DEVICES FOR MECHANICAL EQUIPMENT FURNISHED BY MECHANICAL CONTRACTOR.	
N. PROVIDE CONDUIT AND SERVICE FOR TELEPHONE.	
O. WALL MOUNTED OCCUPANCY SENSOR SWITCHES SHALL BE SENSOR SWITCH WSX SERIES OR EQUAL.	
P. FLOOR BOXES SHALL BE CAST METAL, FULLY ADJUSTABLE, RECTANGULAR WITH FOUR SEPARATE WIRING COMPARTMENTS FOR POWER OUTLETS, VOICE AND DATA OUTLETS, AND/OR AV DEVICES AS INDICATED ON THE DRAWING. FLOOR BOXES SHALL BE WIREMOLD RFB4 SERIES. COVERS SHALL BE UL LISTED FOR TILE, CARPET, WOOD, BARE CONCRETE, AND TERRAZZO FLOORS. COVER FINISHES SHALL BE SELECTED BY ARCHITECT.	
INSTALLATIONS	
A. COMPLY WITH NATIONAL ELECTRICAL CODE, STATE, AND LOCAL GOVERNING AUTHORITIES.	
B. NEAT, UNIFORM RUN EXPOSED CONDUIT AT RIGHT ANGLES TO STRUCTURE AND CLAMP RIGID.	
PROPERLY TEST AND CERTIFY INSTALLATION	
A. THE SUB-CONTRACTOR FOR THIS WORK SHALL BE REQUIRED TO KEEP THE WORK INSTALLED BY HIM IN REPAIR AND PERFECT WORKING ORDER TO ONE YEAR FROM THE DATE OF COMPLETION AND FINAL ACCEPTANCE. CONTRACTOR SHALL FURNISH, FREE OF COST TO OWNER, ALL MATERIALS AND LABOR NECESSARY TO COMPLY WITH THIS GUARANTEE. THIS GUARANTEE SHALL SPECIFICALLY EXCLUDE LIGHTING FIXTURE LAMPS.	
B. AFTER INSTALLATION IS COMPLETE AND AT SUCH TIME AS THE ARCHITECT AND/OR ENGINEERS MAY DIRECT, CONTRACTOR SHALL CONDUCT AN OPERATING TEST FOR APPROVAL. EQUIPMENT SHALL BE DEMONSTRATED TO OPERATE IN ACCORDANCE WITH THE REQUIREMENTS OF THIS SPECIFICATION. THE TEST SHALL BE PERFORMED IN THE PRESENCE OF THE ARCHITECTS AND/OR ENGINEERS. CONTRACTOR SHALL FURNISH ALL INSTRUMENTS AND PERSONNEL REQUIRED FOR THE TEST.	

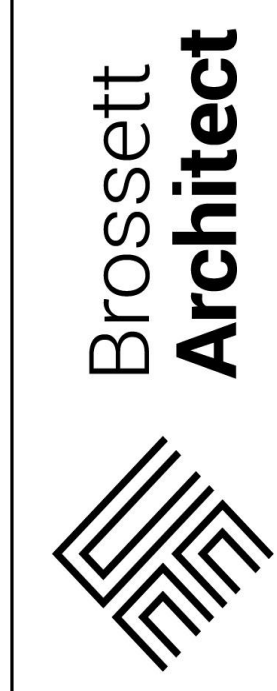
ELECTRICAL GENERAL NOTES	
1.	ELECTRICAL INSTALLATION SHALL BE IN ACCORDANCE WITH THE CURRENT EDITION OF THE NATIONAL ELECTRICAL CODE (NEC) AS WELL AS ANY LOCAL CODES AND ORDINANCES.
2.	MAINTAIN PROPER WORKING SPACE CLEARANCES ABOUT ELECTRICAL EQUIPMENT PER NEC ARTICLE 110.26.
3.	FULLY COORDINATE ALL ELECTRICAL REQUIREMENTS OF EQUIPMENT BEING FURNISHED BY ALL DIVISIONS UNDER THIS CONSTRUCTION CONTRACT. EACH SYSTEM SHALL BE COMPLETE AND FULLY FUNCTIONAL. THIS INCLUDES MECHANICAL, PLUMBING, OWNER PROVIDED AND CONTRACTOR PROVIDED EQUIPMENT. CONTRACTOR TO REFER TO EQUIPMENT INSTALLATION DOCUMENTS AND SHOP DRAWINGS PRIOR TO ANY ROUGH-IN.
4.	CONTRACTOR SHALL COORDINATE CIRCUIT BREAKER AND FUSE SIZES FOR MECHANICAL EQUIPMENT PER SUBMITTED EQUIPMENT MANUFACTURER'S RECOMMENDED NAMEPLATE RATINGS PRIOR TO SHOP DRAWING PHASE OF PROJECT.
5.	INTERRUPTION OF SERVICE: BEFORE ANY EQUIPMENT IS SHUT DOWN FOR DISCONNECTING OR TIE-INS ARRANGEMENTS SHALL BE MADE WITH THE ARCHITECT AND THIS WORK SHALL BE DONE AT THE TIME BEST SUITED TO THE OWNER. OUTAGES MUST BE SCHEDULED THROUGH THE ARCHITECT. THE ARCHITECT SHALL REVIEW EXTENT, LENGTH, AND TIMING OF OUTAGES. SERVICES SHALL BE RESTORED THE SAME DAY. PROVIDE TEMPORARY POWER OR OTHER SERVICES AS REQUIRED DURING OUTAGES. ALL OVERTIME OR PREMIUM COSTS ASSOCIATED WITH THIS WORK SHALL BE INCLUDED IN THE BASE BID.
6.	COORDINATE LOCATION OF ELECTRICAL EQUIPMENT WITH PIPES AND DUCT WORK BEING SUPPLIED BY OTHER DIVISIONS. THE EQUIPMENT SPACE INCLUDED ALL REFERENCED NEC CLEARANCES SHALL BE MAINTAINED. IF ANY PIPES OR DUCT WORK VIOLATE ANY ELECTRICAL CLEARANCE REQUIREMENTS, IT SHALL BE REMOVED AND RELOCATED AT THE CONTRACTOR'S EXPENSE. DRIP PANS ARE NOT PERMITTED UNLESS SPECIFICALLY CALLED FOR IN THE CONSTRUCTION DOCUMENTS.
7.	IT SHALL BE THE CONTRACTOR'S RESPONSIBILITY TO SEE THAT ALL EQUIPMENT THAT MAY REQUIRE MAINTENANCE AND OPERATION ARE READILY ACCESSIBLE, REGARDLESS OF THE DIAGRAMMATIC LOCATION SHOWN ON THE DRAWINGS. ALL CONNECTIONS TO FIXTURES AND EQUIPMENT SHOWN ON THE DRAWINGS SHALL BE CONSIDERED DIAGRAMMATIC UNLESS OTHERWISE INDICATED BY A SPECIFIC DETAIL ON THE DRAWINGS. THE ACTUAL CONNECTIONS SHALL BE MADE TO FULLY SUIT THE REQUIREMENTS OF EACH CASE AND ADEQUATELY PROVIDE FOR SERVICING.
8.	CONTRACTOR SHALL TAMP AND BACKFILL ALL TRENCHES. TRENCHES SHALL BE LEVEL WITH FINISH GRADE.
9.	CONTRACTOR SHALL VISIT THE SITE AND DETERMINE THE EXTENT OF DEMOLITION WORK AND NEW WORK NEEDED FOR THIS PROJECT.
10.	CONTRACTOR SHALL BECOME FAMILIAR WITH THE PROJECT SCOPE, CONSTRAINTS, UTILITY CONNECTIONS, AND BUILDING SERVICES.
11.	CONTRACTOR SHALL GIVE FIRST RIGHT TO REFUSAL OF SALVAGE TO THE OWNER. IF THE OWNER ELECTS TO NOT KEEP SALVAGE, CONTRACTOR SHALL REMOVE SALVAGE BY LAWFUL MEANS.
12.	DRAWINGS ARE SCHEMATIC AND DIAGRAMMATIC IN NATURE. DRAWINGS SHALL NOT BE SCALED. COORDINATE ROUTING OF SERVICES WITH SITE CONDITIONS AND WITH WORK OF OTHER TRADES.
13.	FIELD VERIFY DIMENSIONS PRIOR TO ORDERING, FABRICATING, AND ERECTION OF MATERIAL AND/OR EQUIPMENT. NOTIFY THE ENGINEER OF DISCREPANCIES IN A TIMELY MANNER.
14.	SEAL PENETRATIONS THROUGH THE BUILDING ENVELOPE.
15.	PENETRATIONS THROUGH RATED WALLS, FLOORS, PARTITIONS AND ASSEMBLIES SHALL BE INSTALLED AND FIRESAFED TO MEET UL FIRE RESISTANCE LISTING AND NFPA REQUIREMENTS FOR THE PENETRATION.
16.	COORDINATE DEVICES REQUIRING ACCESS PANELS WITH THE ARCHITECT AND OTHER TRADES.
17.	DEVICE SYMBOLS ALONG WITH DRAWINGS, DRAWING NOTES, AND SPECIFICATIONS ARE INTENDED TO PROVIDE A COMPLETE SYSTEM. CONTRACTOR TO COORDINATE WITH ALL TRADES TO PROVIDE A COMPLETE SYSTEM.

1304 BERTRAND DRIVE SUITE F7
LAFAYETTE, LOUISIANA 70506
(337) 234-7474 * FAX (337) 234-7774

Mechanical Contact: Bryce Castille, P.E.
Bryce@meconsulting.com
Electrical Contact: Connor Goss, E.I.
Connor@meconsulting.com

CONSULTING PROJECT No.: 22031.00

NOTES:
1. ITEMS ON THIS SCHEDULE ARE NOT NECESSARILY SHOWN ON PLANS.



BEAUREGARD PUBLIC LIBRARY
WYE BRANCH
HWY 26
DERRIDER, LOUISIANA 70637
ELECTRICAL LEGEND & SPECIFICATIONS

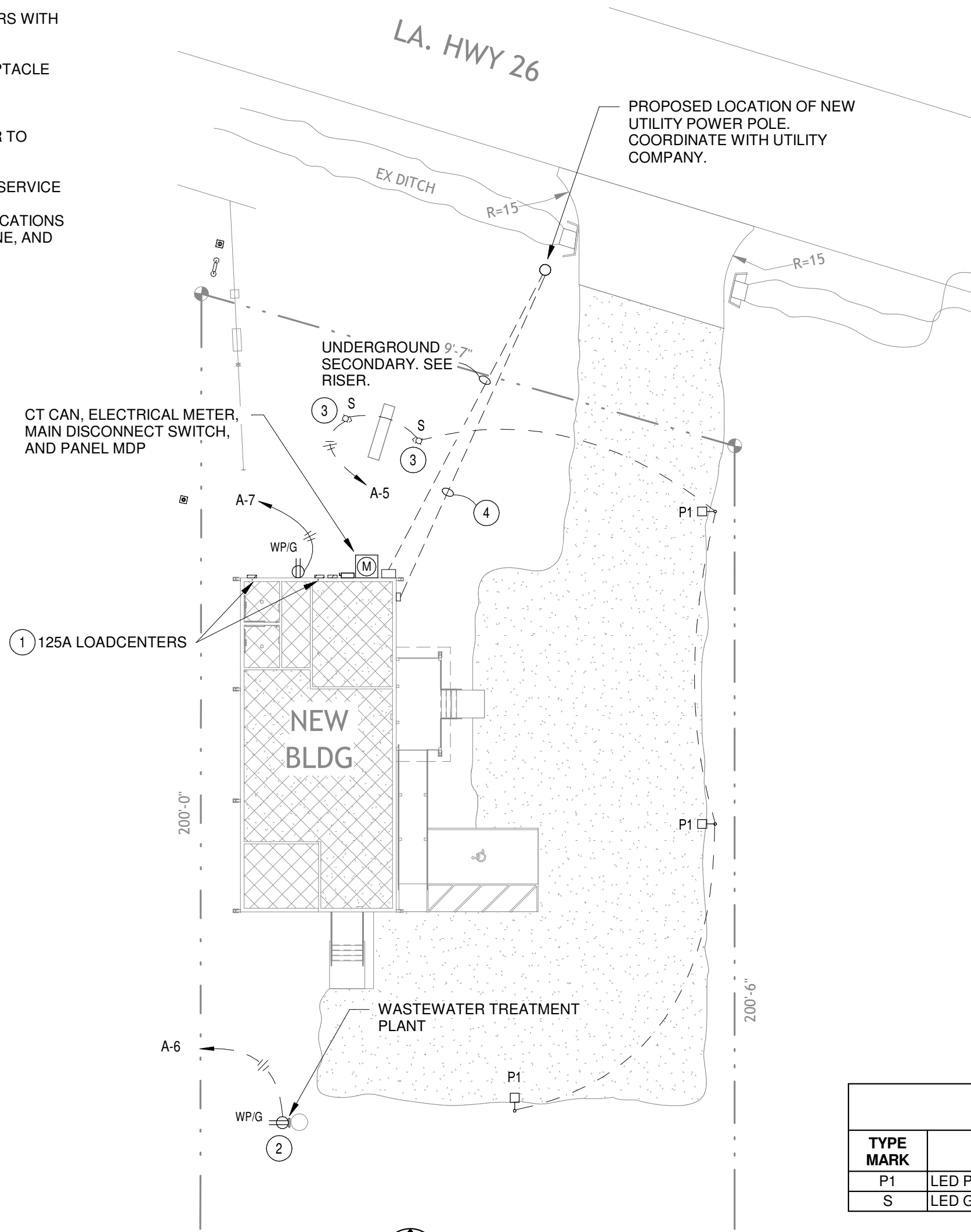
SHEET NO. **E0.0**

VER.	DATE	DESCRIPTION
0	01/17/2022	I.F.C. DOCUMENTS

© COPYRIGHT 2022, Brossett Architect, LLC All Rights Reserved. This document shall not be copied or reproduced without written permission.

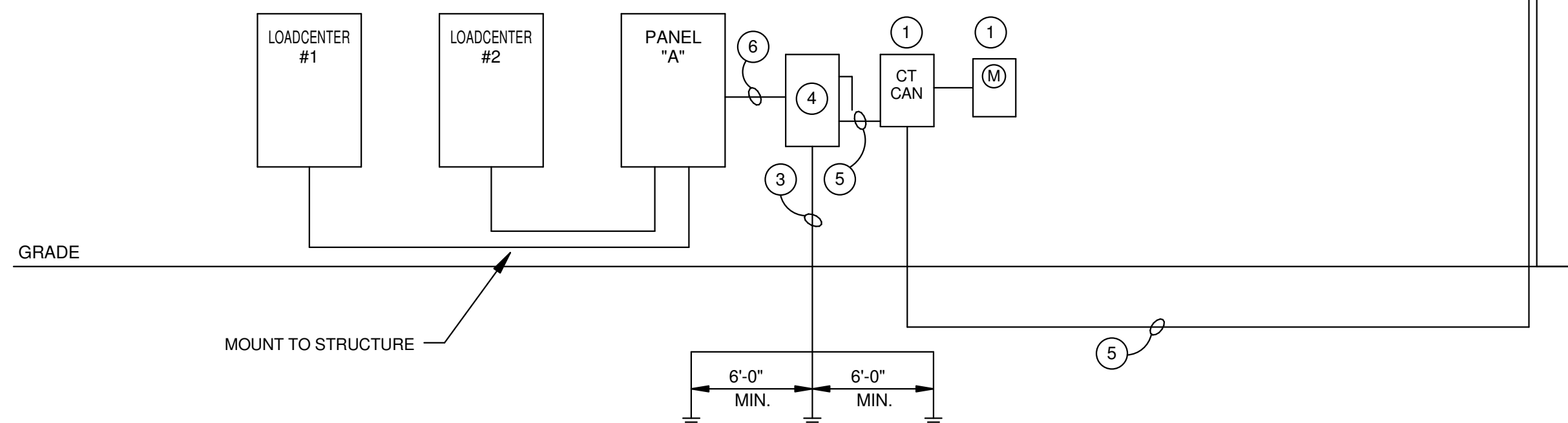
ELECTRICAL NOTES:

- 1 VERIFY FINAL LOCATION OF LOADCENTERS WITH MODULAR BUILDING MANUFACTURER.
- 2 COORDINATE FINAL LOCATION OF RECEPTACLE WITH WASTEWATER TREATMENT PLANT MANUFACTURER.
- 3 LOCATE AND AIM FLOOD LIGHT IN ORDER TO ILLUMINATE SIGN FACE.
- 4 (2)-2" WITH PULLSTRING TO TELEPHONE SERVICE POINT. CONTRACTOR RESPONSIBLE FOR NOTIFYING OWNER TO SET UP COMMUNICATIONS SERVICE (CABLE TV, SATELLITE TV, PHONE, AND INTERNET) FOR FACILITY.



1 Electrical Site Plan
SCALE: 1" = 20'-0" Refer to Architectural Drawings for All Dimensions

LOAD SUMMARY			
120/240v - SINGLE PHASE - 3 WIRE			
SERVING	CONNECTED (KVA)	MULTIPLIER	DEMAND (KVA)
MODULAR BUILDING PANELS	48	1	48
OUTLETS	2	1	2
SITE LIGHTING	1.2	1.0	1.2
TOTAL KVA =			52
TOTAL AMPS =			217



ELECTRICAL RISER
NO SCALE

Branch Panel: A

Location: Surface
Mounting: Surface
Enclosure: NEMA 3R

Volts: 120/240 Single
Phases: 1
Wires: 3

A.I.C. Rating: 10,000
Mains Type: MLO
Mains Rating: 300 A

Notes:

CKT	Circuit Description	Trip	Poles	Wire	Conduit	A		C		Conduit	Wire	Poles	Trip	Circuit Description	CKT
						12000	12000	12000	12000						
1	Loadcenter #1	125	2	2#1/0	2"	12000	12000	2"	2#1/0	2	125	2	125	Loadcenter #2	2
3	--	--	--	1#6	--	--	--	--	1#6	--	--	--	--	--	4
5	Site Lighting	20	1	3#10	3/4"	676	1500	3/4"	3#10	1	20	1	20	Treatment Plant	6
7	Receptacle	20	1	3#12	1/2"	180	0	1/2"	3#12	1	20	1	20	Spare	8
9	Space	--	--	--	0	0	0	0	--	--	--	1	20	Spare	10
11	Space	--	--	--	0	0	0	0	--	--	--	1	20	Spare	12
13															14
15															16
17															18
19															20
21															22
23															24
25															26
27															28
29															30
31															32
33															34
35															36
37															38
39															40
41															42
Total Load:						26 kVA	24 kVA								
Total Amps:						218 A	202 A								

Legend:

Load Classification	Connected Load	Demand Factor	Estimated Demand	Panel Totals
Motor	1500 VA	100.00%	1500 VA	
Lighting	676 VA	125.00%	846 VA	Total Conn. Load: 50 kVA
Miscellaneous	48000 VA	100.00%	48000 VA	Total Est. Demand: 51 kVA
Receptacles	180 VA	100.00%	180 VA	Total Conn.: 210 A
				Total Est. Demand: 211 A

Notes:

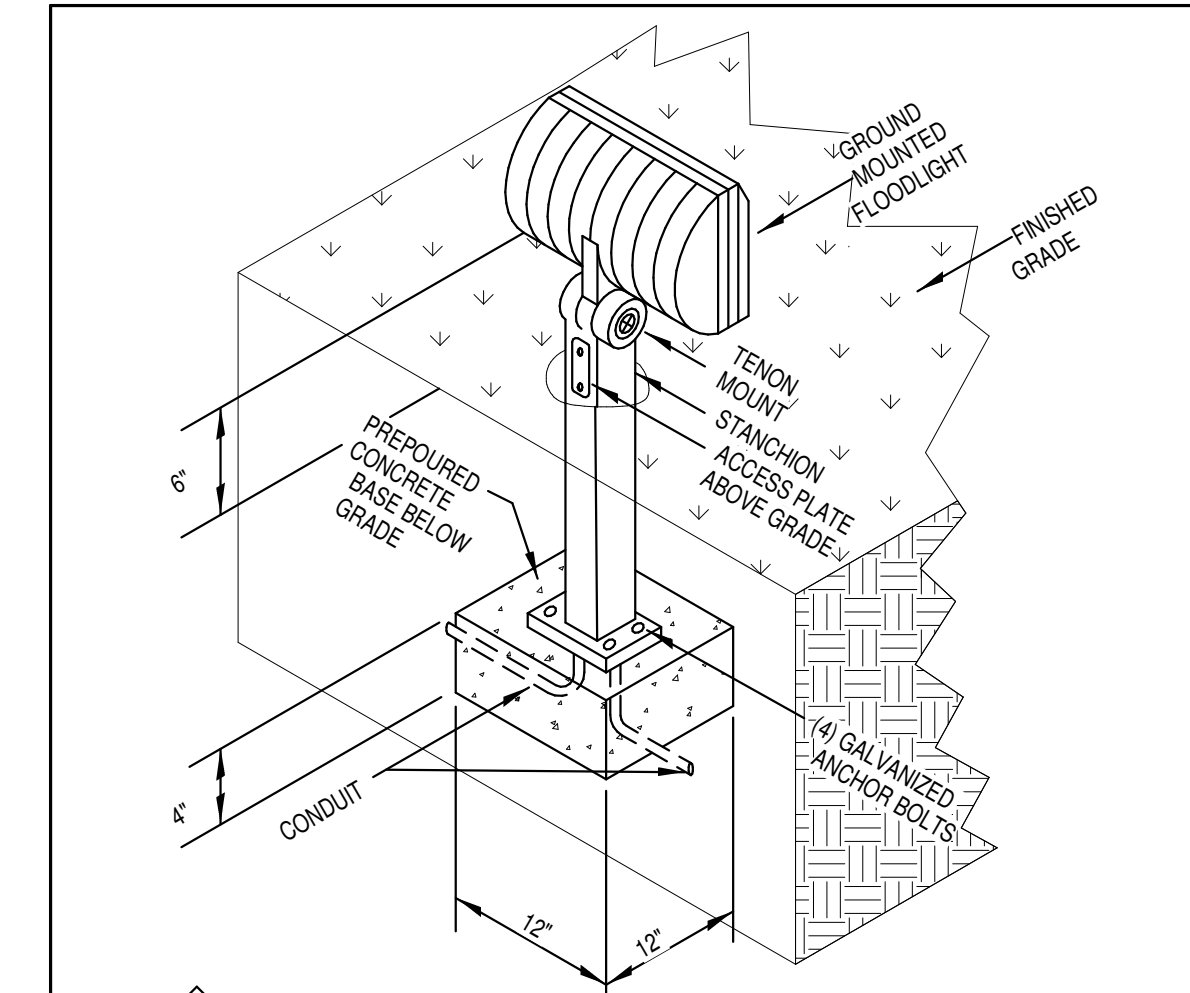
- 1 CIRCUIT VIA 2-POLE LIGHTING CONTACTOR. CONTROL WITH (2) CIRCUIT INTERMATIC OR EQUAL ASTRONOMICAL TIME CLOCK WITH BATTERY BACKUP AND PHOTOCCELL. PHOTOCCELL "ON" TIMECLOCK "OFF".
- 2 VERIFY BREAKER SIZE WITH MODULAR BUILDING MANUFACTURER.

LIGHTING FIXTURE SCHEDULE

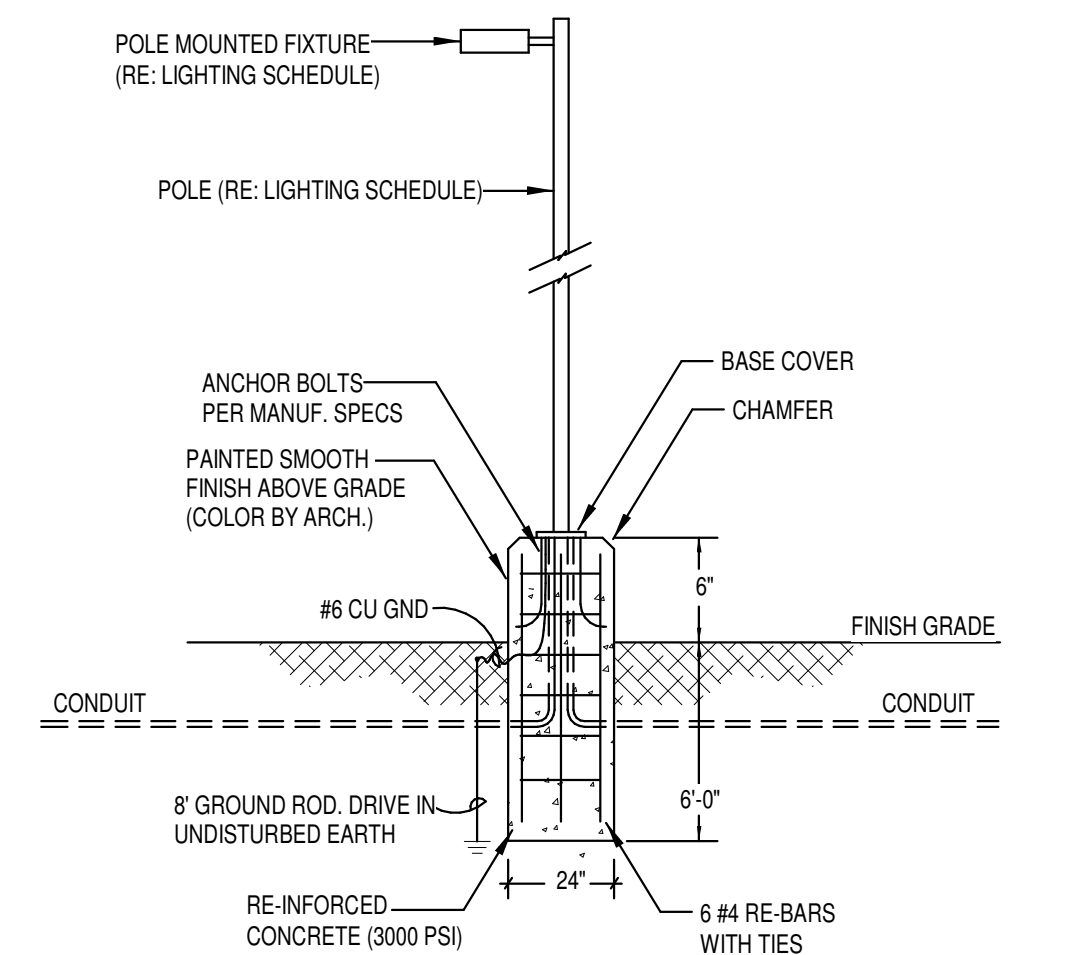
TYPE MARK	DESCRIPTION	LAMP No.	LAMP TYPE	VOLTS	MANUFACTURER	MODEL	COMMENTS
P1	LED POLE LIGHT	-	LED	120	LITHONIA	ESX1-LED-P2-40K-P3-MVOLT-UPA-BL-S-FINISH-M2	FINISH TO BE SELECTED BY ARCHITECT.
S	LED GROUND MOUNTED FLOOD LIGHT	-	LED	120	LITHONIA	DSXF1-LED-P1-40K-WFL-MVOLT-THK-FINISH	FINISH TO BE SELECTED BY ARCHITECT.

ELECTRICAL RISER NOTES:

- 1 COORDINATE ALL ASPECTS OF SERVICE AND METERING WITH POWER COMPANY. ELECTRICAL CONTRACTOR TO PROVIDE METERING C.T. CABINETS AND UNISTRUT RACK(S) IN CONCRETE FOOTINGS.
- 2 REFER TO PANEL SCHEDULES FOR FEEDER SIZES, INSTALL PROPERLY SIZED NEUTRALS AND GROUNDING CONDUCTORS WITH ALL FEEDERS.
- 3 #2 CU. GROUND IN 3/4" CONDUIT TO (3)3/4"x10' COPPER CLAD GROUND RODS, BUILDING STEEL, AND CONCRETE REINFORCEMENT RODS. (SEE DETAIL)
- 4 THE CONTRACTOR SHALL LABEL THE MAIN SERVICE DISCONNECTING MEANS WITH THE MAXIMUM AVAILABLE FAULT CURRENT, AND IT SHALL BE LISTED ON THE DEVICE TO MEET THE REQUIREMENTS OF NFPA 70:110.24. THE LABELING SHALL BE ENGRAVED PLASTIC. THE MAXIMUM AVAILABLE FAULT CURRENT SHALL BE OBTAINED FROM THE ELECTRICAL UTILITY COMPANY FOR THE SECONDARY SIDE OF THE UTILITY TRANSFORMER.
- 5 3" CONDUIT WITH 3#350 KCML.
- 6 3" CONDUIT WITH 3#350 KCML, 1#2CU GROUND.



2 GROUND MOUNTED FLOODLIGHT DETAIL
NO SCALE



3 POLE FOUNDATION DETAIL
NO SCALE

"PANEL NAME"
FED FROM
"PANEL NAME & CIRCUIT #"

"EQUIPMENT NAME"
FED FROM
"PANEL NAME & CIRCUIT #"

4 PANEL & EQUIPMENT SIGNAGE DETAIL
NO SCALE

CONSULTING
1304 BERTRAND DRIVE SUITE F7
LAFAYETTE, LOUISIANA 70506
(337) 234-7474 * FAX (337) 234-7774
Mechanical Contact: Bryce Castille, P.E.
Bryce@meconsulting.com
Electrical Contact: Connor Gosw, E.I.
Connor@meconsulting.com
PROJECT No.: 22031.00



BEAUREGARD PUBLIC LIBRARY
WYE BRANCH
HWY 26
DERRIDER, LOUISIANA 70637
ELECTRICAL PLAN, SCHEDULES, DETAILS, AND RISER

SHEET NO. **E1.1**

VER.	DATE	DESCRIPTION
0	01/7/2022	I.F.C. DOCUMENTS

ARCH #21025 BA

© COPYRIGHT 2022, Brossett Architect, LLC. All Rights Reserved. This document shall not be copied or reproduced without written permission.